

REVISIONS			
LTR	DESCRIPTION	DATE	APPROVED
B	CHANGE DRAWING BLOCK AND DRAWING NUMBER SEE DO H4879		Ray
C	CHANGE SEE DO H6740	Venn 10/20/15'	Ray
D	CHANGE SEE DO H8478	James 01/13/21'	Ray

ORDERING INFORMATION:

CA-04USBSAR1-DXX-XXX

NO. OF POSITIONS _____

SERIES NUMBER _____
 USBSAR1=USB SOCKET.A TYPE R/A .
 SINGLE ROW

PCB LAYOUT PROFILE _____
 D=DIP

SHELL PROFILE _____
 1=OPEN TYPE
 2=FULL SHIELDING TYPE

PLATING _____
 A=GOLD FLASH CONTACT AREA.TIN TERMINATION AREA
 C=15u" GOLD CONTACT AREA.TIN TERMINATION AREA
 F=30u" GOLD CONTACT AREA.TIN TERMINATION AREA

COLOR _____
 BLK=BLACK
 WHT=WHITE

2. MATERIAL :
 INSULATOR :PBT+30% GLASS FIBER UL94V-0
 TERMINAL :COPPER ALLOY
 PLATING: SEE ORDERING NOMENCLATURE

SHELL :COPPER ALLOY NICKEL PLATING ON SURFACE

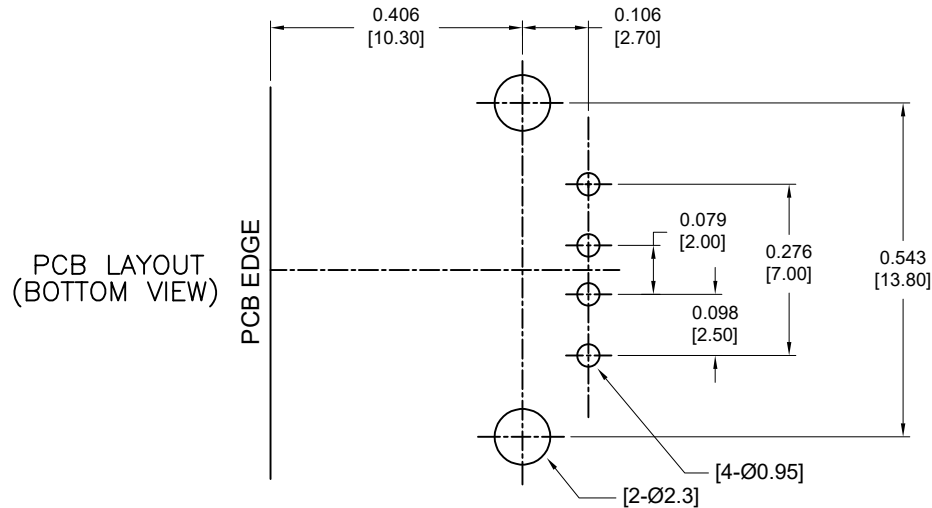
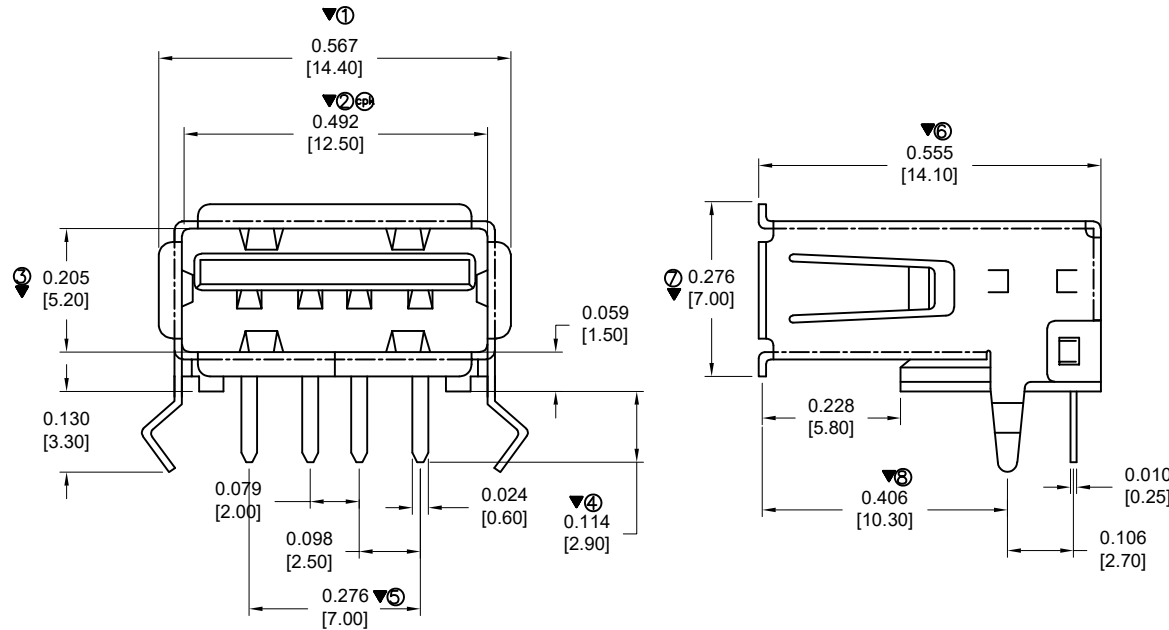
3. ELECTRICAL :
 INSULATOR RESISTANCE :1000MEGOHMS MIN. 500V DC
 DIELECTRIC WITHSTANDING VOLTAGE :500V AC R.M.S
 VOLTAGE RATING :1.5 MIN
 CONTACT RESISTANCE :30 MILLIOHMS MAX.

4. ENVIRONMENTAL :
 TEMPERATURE RANGE :-55°C TO +°85C

5. MECHANICAL :
 MATING FORCE :3.5KGF MAX
 UNMATING FORCE :1.02~3.57 KGF

6. MARK'▼'DIMENSION MUST CONTROL,MARK'⊗'IS DIM No.
 MARK'⊕'DIMENSION MUST CONTROL BY CPK.

7. MEETS THE REQUIREMENTS OF THE EUROPEAN PARLIAMENT AND THE RESTRICTION OF THE USE OF CERTAIN HAZARDOUS SUBSTANCES IN ELECTRICAL AND ELECTRONIC EQUIPMENT. (ROHS)



DIMENSIONS ARE IN MILLIMETERS TOLERANCES ARE:		APPROVALS	DATE
DRAWN	Colin	10/28/11'	
CHECKED	Eric	10/28/11'	
APPROVED	Ray	10/28/11'	
DECIMALS ANGLES X ± .20 ±2° .XX ± .13		THE INFORMATION AND DESIGN DISCLOSED HEREIN WAS ORIGINATED BY AND IS THE PROPERTY OF CIRCUIT ASSEMBLY CORPORATION. CIRCUIT ASSEMBLY CORPORATION RESERVES ALL PATENT, PROPRIETARY, DESIGN, MANUFACTURING, REPRODUCTION, USE AND SALES RIGHTS THERETO, AND TO ANY ARTICLE DISCLOSED HEREIN EXCEPT TO THE EXTENT RIGHTS ARE EXPRESSLY GRANTED TO OTHERS. THE FOREGOING DOES NOT APPLY TO VENDOR PROPRIETARY RIGHTS.	
DO NOT SCALE DRAWING			
DIMENSIONS IN BRACKETS [X.XX] ARE IN INCHES TOLERANCES ARE:			
DECIMALS ANGLES X ± .008 ±2° .XX ± .005			

CA CIRCUIT ASSEMBLY SHENZHEN			
TAO XING ROAD, AOBEI 2ND VILLAGE, HENGGANG TOWN			
CONN ASS'Y SOCKET DIP R/A A TYPE USB SERIES			
SIZE	CODE IDENT NO.	DRAWING NO.	REV.
C	52072	H610552	D
SCALE: 1 : 1		SHEET 1 OF 1	