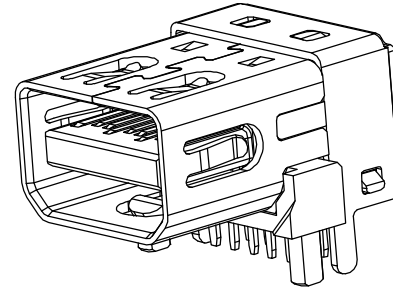
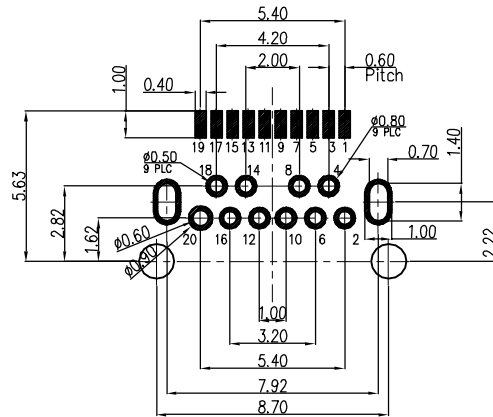
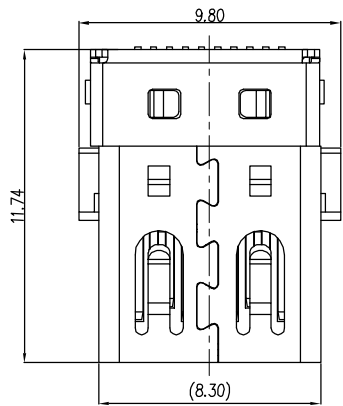
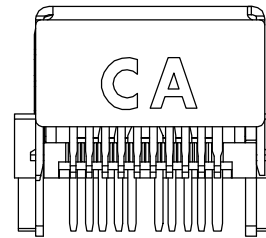
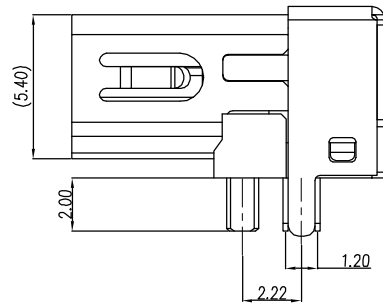
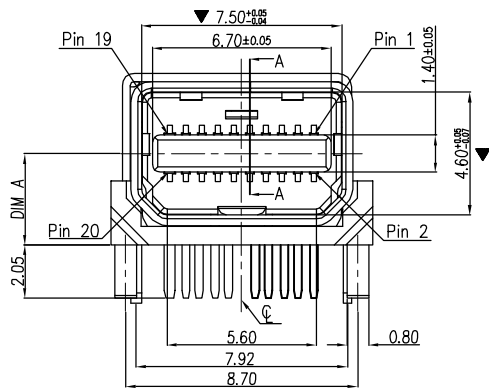


P/N CA-20MDPS-X-5-2-X-X

REV	DESCRIPTION	ECN(D.O)	APPD.
A	NEW RELEASE	H3889	Ray
B	MODIFY THE P/N John 06-17-10	H4133	Ray



RECOMMENDED PCB LAYOUT
(TOLERANCES ARE: ±0.05)



NOTES:

- MATERIAL :
HOUSING : LCP 6130L, UL94V-0, COLOR : BLACK, HALOGEN FREE.
INSERT MOLDING : LCP 6130L, UL94V-0, COLOR : BLACK.
TERMINAL : PHOSPHOR BRONZE, THICKNESS=0.20mm.
FRONT SHELL: PHOSPHOR BRONZE, THICKNESS=0.40mm.
BACK SHELL: BRASS, THICKNESS=0.30mm.
- TERMINAL PLATING :
CONTACT AREA : Au PLATED AT CONTACT AREA
SOLDER TAIL : 100 u" BRIGHT TIN PLATED,
UNDER PLATE: 50 u" MINIMUM NICKEL (Ni).
SHELL PLATING :
100 u" MINIMUM NICKEL UNDER PLATED.
- MARK "▼" DIMENSION MUST CONTROL.
- MEETS THE REQUIREMENTS OF DIRECTIVE 2002/95/EC OF THE EUROPEAN PARLIAMENT AND OF THE COUNCIL OF 27 JANUARY 2003 ON THE RESTRICTION OF THE USE OF CERTAIN HAZARDOUS SUBSTANCES IN ELECTRICAL AND ELECTRONIC EQUIPMENT (ROHS).
- MEETS THE HALOGEN FREE.

ORDERING NOMENCLATURE:

CA-20MDPS-X-5-2-X-X

ENCLOSURE MOUNT _____
MDPS=MINI DISPLAY PORT SOCKET

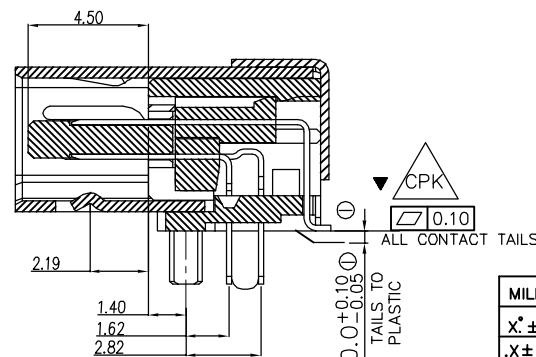
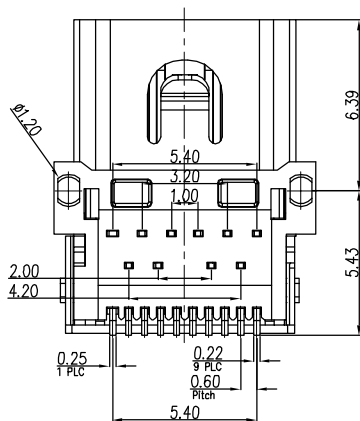
CONTACT PLATING:
A=G/F D=5u"
C=15u" F=30u"

TYPE _____
5=DIM A: 3.42mm, MOLDING TYPE WITHOUT PCB

PCB _____
2= WITHOUT PCB

LOGO _____
Blank= WITH CA LOGO
1= WITHOUT CA LOGO

SHELL PLATING _____
Blank= NICKEL PLATED
A= GOLD FLASH PLATED



SECTION A-A

MILLIMETERS	INCH	UNITS	mm	NAME (INTENDED USE)	CIRCUIT ASSEMBLY SHENZHEN <small>CA INDUSTRIAL BUILDING, AOXING ROAD, ABBEI SECOND VILLAGE, HENGANG TOWN, SHENZHEN CITY, GUANGDONG, PROVINCE, CHINA</small>	
X.± 3'	X.± 3'	MAT'L		MINI DISPLAY PORT		
.X± 0.25	.X± .010	FINISH		PART NO. (INTENDED USE)	TITLE:	
.XX± 0.20	.XX± .005		CA-20MDPS-X-5-2-X-X	20PIN MINI DISPLAY PORT SOCKET ASSEMBLY		
.XXX± ----	.XXX± ----	Q'TY		APPD: Ray 06/10/09'	DWG NO.:	
THESE DRAWINGS AND SPECIFICATIONS ARE THE PROPERTY OF CIRCUIT ASSEMBLY SHEN ZHEN AND SHALL NOT BE REPRODUCED, COPIED OR USED IN ANY MANNER WITHOUT THE PRIOR WRITTEN CONSENT OF CIRCUIT ASSEMBLY SHEN ZHEN				CHKD: Ray 06/10/09'	H610531	
				DR: John 06/10/09'	SCALE SHEET REV.	
					1/1 1/1 B	