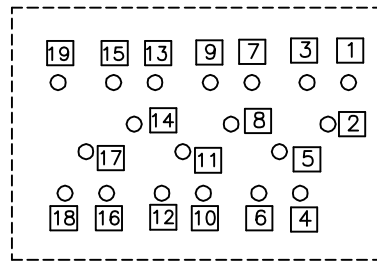
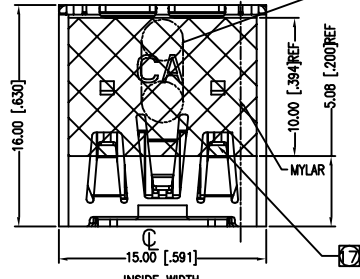
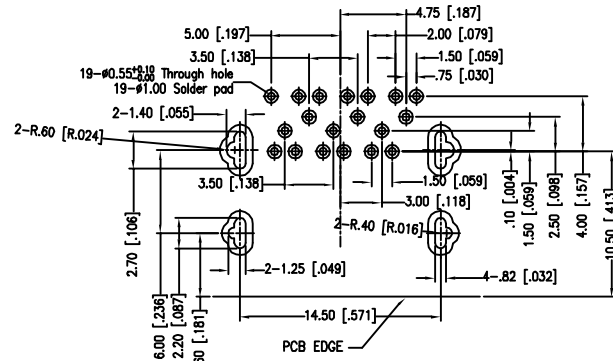


P/N CA-19HMSR-X-4X4-X

Ø3.0[.118] VACUUM PICK UP SIZE AND RANGE OF PICK UP POSITION



PIN LAYOUT DETAIL



RECOMMENDED PCB LAYOUT (COMPONENT SIDE)

REV.	DESCRIPTION	DO.	APPD.
A	NEW RELEASE	H2894	RAY
B	ADD NOTE 4,5,6	H3666	RAY
C	ADD NOTE 13,14,15	H3808	RAY
D	ADD TOLERANCE	H3978	RAY
E	ADD TOLERANCE	H3994	RAY
F	ADD DIM.	H4230	RAY
G	CHANGE TAIL LENGTH	H4402	RAY

CA-19HMSR-X-4X4-X

POSITION 19=19PIN

PART NAME HDMI

SOCKET

INSTALL TYPE

R=RIGHT ANGLE

CONTACT PLATING C=15u" Au; F=30u" Au

TAIL TYPE

4=THROUGH HOLE 4-ROW

PEG OPTION

1 = DIM'A=2.20, DIM'B=2.20

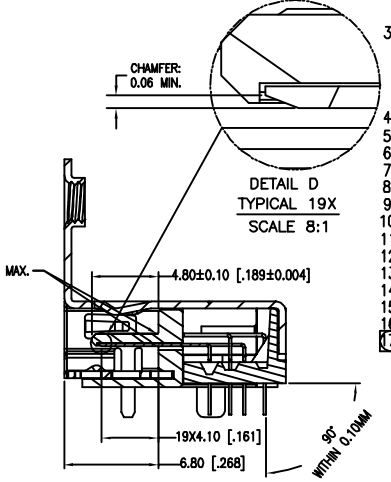
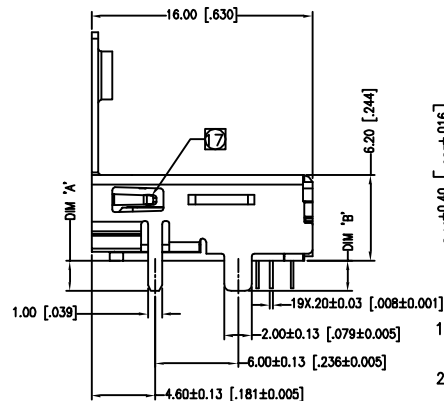
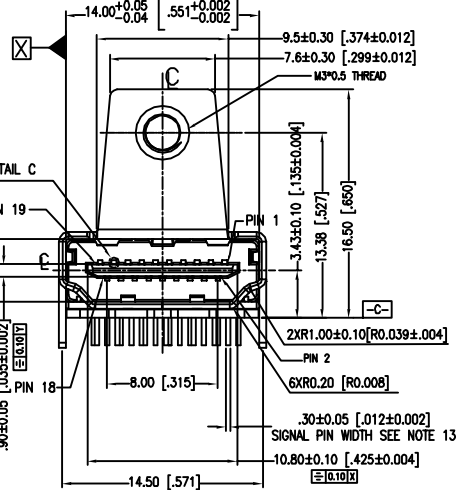
2 = DIM'A=2.50, DIM'B=3.50

SHELL PLATING 4= NICKEL

PACKAGING METHOD

BLANK = TRAY

T = TAPE & REEL



SECTION A-A

P/N	A	B
CA-19HMSR-X-41X	2.20	2.20
CA-19HMSR-X-42X	2.50	3.50

NOTES:

- MEETS THE REQUIREMENTS OF DIRECTIVE 2002/95/EC OF THE EU PARLIAMENT AND OF THE COUNCIL OF 27 JANUARY 2003 ON THE RESTRICTION OF THE USE OF CERTAIN HAZARDOUS SUBSTANCES IN ELECTRICAL AND ELECTRONIC EQUIPMENT (ROHS)
- MATERIALS
BASE & COVER: HIGH TEMP THERMOPLASTIC; COLOR: BLACK; UL94V-0
CONTACT: COPPER ALLOY, 0.20MM [0.008] THICK.
SHELL: PHOSPHOR BRONZE OR COPPER ALLOY, 0.50MM [0.02] THICK.
- PLATING:
SHELL: NICKEL: 50u" MIN. THICK
CONTACT: SOLDER AREA: 75u" MINIMUM PURE TIN OVER 50u" NICKEL
CONTACT AREA: SELECTIVE GOLD (SEE ORDERING NOMENCLATURE)
OVERALL: 50u" MINIMUM NICKEL UNDERPLATING
- MEETS HDMI SPECIFICATION AND DIMENSIONS.
- MEETS 15N(3.37 Lbf.) OF WITHDRAWAL FORCE MINIMUM ON FIRST INSERTION/WITHDRAWAL.
- MEETS AND WITHSTANDS A MAXIMUM SOLDERING TEMPERATURE/TIME OF 260C DEG. FOR 10 SECONDS.
- THE TAPE & REEL PACKAGING WITH 90PCS PER REEL.
- CONTACT RESISTANCE: CONTACT: 30m Ohms MAX. SHELL: 50m Ohms MAX.
- INSULATION RESISTANCE: 100M Ohms MINIMUM(UNMATED).
- DIELECTRIC WITHSTANDING VOLTAGE: 500V AC NO BREAK DOWN.
- VOLTAGE RATING: 40VAC(RMS) CONTINUOUS MAX.
- CURRENT RATING: 0.5A MINIMUM NO BREAK DOWN.
- THE 19 SIGNAL PINS MUST BE PERPENDICULAR TO THE BASE PLANE OF COMPONENT SURFACE DATUM --C--, WITHIN 0.10MM.
- STORAGE & OPERATING TEMPERATURE: -25°C TO 70°C.
- PARTS TO PERFORM SATISFACTORILY UP TO 50 INSERTIONS MIN.
- USE MYLAR AS NECESSARY TO SATISFY ANY CONTRACT MFG, TC OR HDMI MECHANICAL, ELECTRICAL SPECIFICATIONS OR CM PROCESS CRITERIA.
- MULTIPLE SPRING TABS AS NECESSARY TO ACHIEVE ETC & HDMI INSERTION/WITHDRAWAL FORCES. ORIENTATION AND SHAPE OF TABS MAY NOT BE AS SHOWN.

MILLIMETERS	INCH	UNITS	MM	NAME(INTENDED USE)	CIRCUIT ASSEMBLY SHENZHEN <small>CA INDUSTRIAL BUILDING, AOXING ROAD, AOEI SECOND VILLAGE, HENGANG TOWN, SHENZHEN CITY, GUANGDONG, PROVINCE, CHINA.</small>
X ± .3	X ± .3	MAT'L		HDMI SOCKET	
.X ± 0.25	.X ± .02	SEE NOTE		PART NO.(INTENDED USE)	TITLE: HDMI SOCKET, TYPE A, RIGHT ANGLE 4 ROWS THRU-HOLE
.XX ± 0.15	.XX ± .01	FINISH		CA-19HMSR-X-4X4-X	DWG NO.: H610414
.XXX ± ----	.XXX ± .005	SEE NOTE		APPD: Ray 06/05/08'	
THESE DRAWINGS AND SPECIFICATIONS ARE THE PROPERTY OF CIRCUIT ASSEMBLY SHENZHEN AND SHALL NOT BE REPRODUCED, COPIED OR USED IN ANY MANNER WITHOUT THE PRIOR WRITTEN CONSENT OF CIRCUIT ASSEMBLY SHEN ZHEN				CHKD: Anderson06/05/08'	
				DR: Steveny Yu 06/05/08'	
				Q'TY	SCALE SHEET REV. 3/1 1/1 G

A

B

C

D

E

A

B

C

D

E