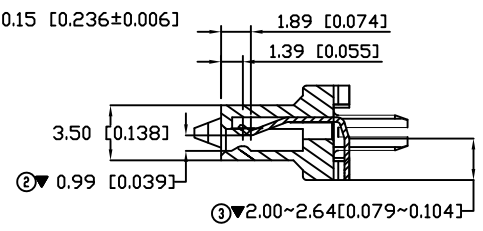
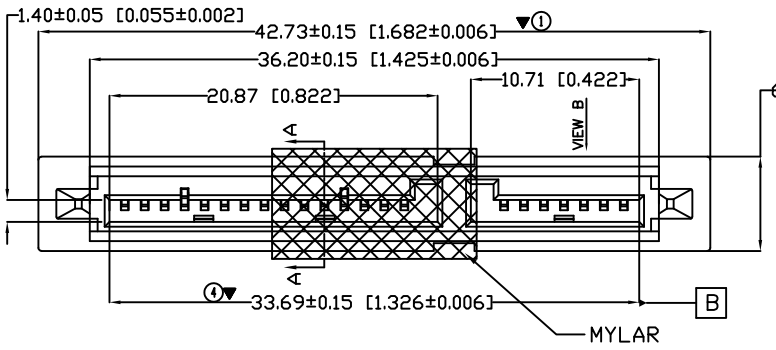


P/N CA-22SAHS-X-1-X-X-X-X

REV.	DESCRIPTION	DO.	APPD.
F	DESIGN CHANGE	H1686	ROBBIE
G	ADD THE ROHS Lucy 06/12/09'	H3406	ROBBIE
H	UPDATE NOTES JAMES 06/26/19'	H8206	RAY



ORDERING NOMENCLATURE :

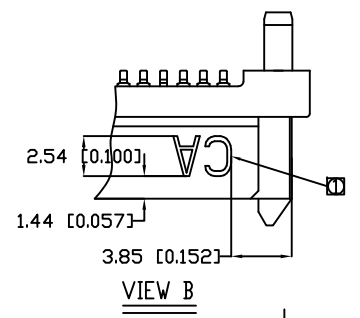
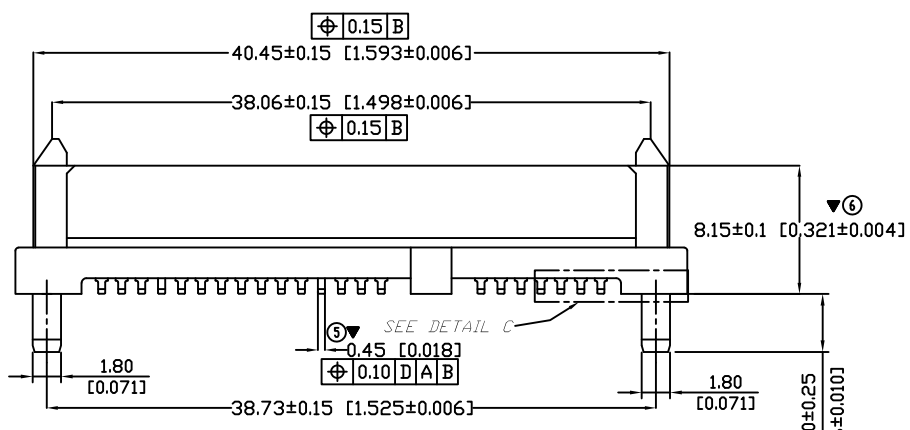
CA-22SAHS-X-1-X-X-X-X

NUMBER OF CONTACT PDS
SERIAL ATA HOST SOCKET
PLATING: A:1u"; B:3u"; C:15u"; D:5u"; F:30u"
HEIGHT:1=REGULAR;
CONTACT:
0=SURFACE MOUNT(post=3.7*2.24mm and 3.7*2.54mm);
9=SURFACE MOUNT(Both Post=1.0*2.24mm);
10=SURFACE MOUNT(Both Post=3.70*2.24mm);
LOCK: 1=HAVE THREE LOCK TABS
2=NOT HAVE THREE LOCK TABS
MARK: 1=HAVE "CA" MARK
2=NOT HAVE "CA" MARK
PACKAGE:BLANK=TUBE PACKAGE
R=MYLAR AND TAPE REEL PACKAGE

NOTES:

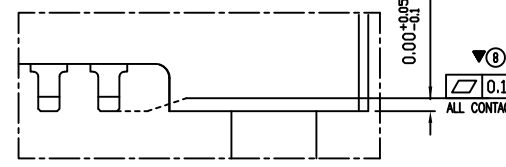
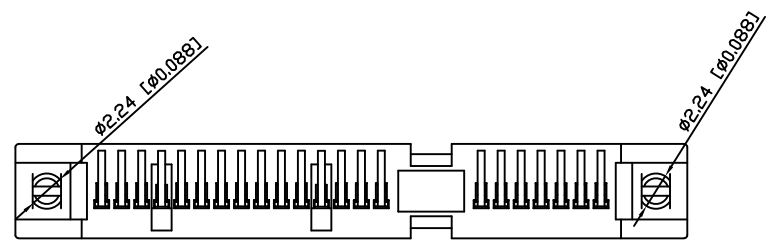
- MATERIAL :
HOUSING : HIGH TEMPERATURE THERMOPLASTIC (LCP) G.F.30%, UL94V-0, COLOR : BLACK
TERMINAL: PHOSPHOR BRONZE,C5210
THICKNESS = 0.30±0.01 mm
- TERMINAL PLATING :
CONTACT AREA :AU PLATED AT CONTACT AREA,SEE ORDERING NOMENCLATURE.
SOLDER TAIL : 150 u" PURE TIN,
UNDER PLATE : 50 u" MINIMUM NICKEL,
- PRODUCT SPECIFICATION : REFER H1000002
- PACKAGING REFER TO CAO-H030
- MARK "▼" DIMENSION MUST CONTROL. MARK "⊙" IS DIMENSION NO.
- ☐ THE MARK CAN OPTION
- MEETS THE REQUIREMENTS OF THE EUROPEAN PARLIAMENT AND THE RESTRICTION OF THE USE OF CERTAIN HAZARDOUS SUBSTANCES IN ELECTRICAL AND ELECTRONIC EQUIPMENT. (ROHS)

B



C

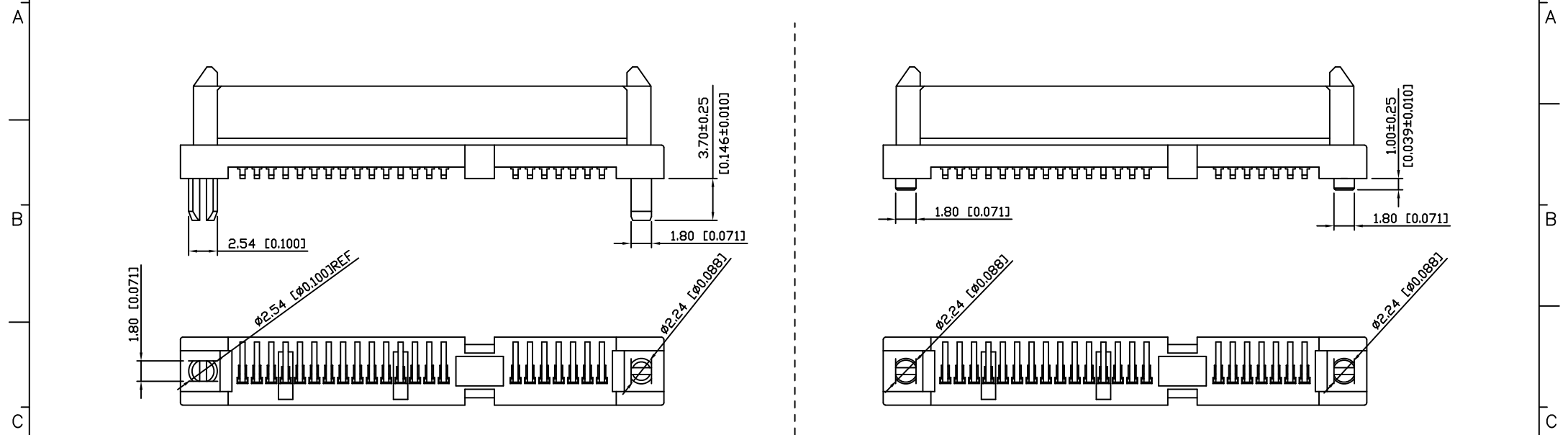
D



22SAHS-X-1-10-X-X SHOWN

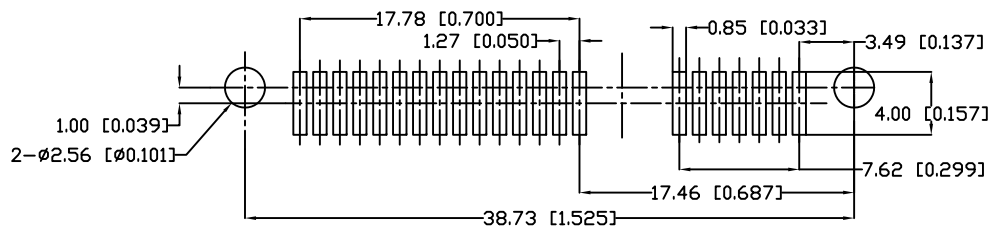
MILLIMETERS	INCH	UNITS	MM	NAME(INTENDED USE)	CIRCUIT ASSEMBLY SHENZHEN CA INDUSTRIAL BUILDING, AOXING ROAD, AOBEI SECOND VILLAGE, HENGANG TOWN, SHENZHEN CITY, GUANGDONG, PROVINCE, CHINA.						
X.± 2"	X.± 2"	MAT'L		PART NO.(INTENDED USE)		TITLE:					
.X± 0.20	.X± ---			CA-22SAHS-X-1-X-X-X-X		SATA 22PIN SOCKET SMT TYPE ASSEMBLY					
.XX± 0.13	.XX± .008	FINISH		APPD:		DWG NO.:					
.XXX± ----	.XXX± 0.004			Robbie 05/24/05'	H610262						
THESE DRAWINGS AND SPECIFICATIONS ARE THE PROPERTY OF CIRCUIT ASSEMBLY SHEN ZHEN AND SHALL NOT BE REPRODUCED, COPIED OR USED IN ANY MANNER WITHOUT THE PRIOR WRITTEN CONSENT OF CIRCUIT ASSEMBLY SHEN ZHEN				Q'TY	<table border="1"> <tr> <td>CHKD:</td> <td>Robbie 05/24/05'</td> <td rowspan="2"> SCALE SHEET REV. </td> <td rowspan="2"> 1/1 1/2 H </td> </tr> <tr> <td>DR:</td> <td>RAY 05/24/05'</td> </tr> </table>	CHKD:	Robbie 05/24/05'	SCALE SHEET REV.	1/1 1/2 H	DR:	RAY 05/24/05'
CHKD:	Robbie 05/24/05'	SCALE SHEET REV.	1/1 1/2 H								
DR:	RAY 05/24/05'										

E



22SAHS-X-1-0-X-X SHOWN

22SAHS-X-1-9-X-X SHOWN



RECOMMENDED PCB LAYOUT<COMPONENT SIDE>

MILLIMETERS	INCH		UNITS	MM	NAME(INTENDED USE)	CIRCUIT ASSEMBLY SHENZHEN CA INDUSTRIAL BUILDING, AOXING ROAD, AOBBI SECOND VILLAGE, HENGANG TOWN, SHENZHEN CITY, GUANGDONG, PROVINCE, CHINA.	
X. ^o ± 2 [*]	X. ^o ± 2 [*]		MAT'L		PART NO.(INTENDED USE)		TITLE:
.X ± 0.20	.X ± ---				CA-22SAHS-X-1-X-X-X-X		SATA 22PIN SOCKET SMT TYPE ASSEMBLY
.XX ± 0.13	.XX ± .008		FINISH		APPD: Robbie 05/24/05'		DWG NO.:
.XXX ± ----	.XXX ± 0.004		Q'TY		CHKD: Robbie 05/24/05'	H610262	
THESE DRAWINGS AND SPECIFICATIONS ARE THE PROPERTY OF CIRCUIT ASSEMBLY SHEN ZHEN AND SHALL NOT BE REPRODUCED, COPIED OR USED IN ANY MANNER WITHOUT THE PRIOR WRITTEN CONSENT OF CIRCUIT ASSEMBLY SHEN ZHEN					DR: RAY 05/24/05'	SCALE SHEET REV. 1/1 2/2 H	