



DIP PLUG COVERS

SPECIFICATIONS

ENVIRONMENTAL

Temperature Range: -55°C to +105°C

MECHANICAL

Insulator Material: Glass-filled thermoplastic, black, UL94V-0

CLOSED - Figure 1						
CA Part #	Position	A	B	C	D	E
08-160-000	08	.450 [11.43]	--	--	.470 [11.94]	.160 [4.06]
14-160-000	14	.750 [19.05]	--	--	.470 [11.94]	.160 [4.06]
14-400-000	14	.750 [19.05]	--	--	.470 [11.94]	.400 [10.16]
16-160-000	16	.850 [21.59]	--	--	.470 [11.94]	.160 [4.06]
16-400-000	16	.850 [21.59]	--	--	.470 [11.94]	.400 [10.16]
20-400-000	20	1.050 [26.67]	--	--	.470 [11.94]	.400 [10.16]
24-400-000	24	1.250 [31.75]	--	--	.795 [20.19]	.400 [10.16]
28-400-000	28	1.450 [36.83]	--	--	.795 [20.19]	.400 [10.16]
40-400-000	40	2.050 [52.07]	--	--	.795 [20.19]	.400 [10.16]

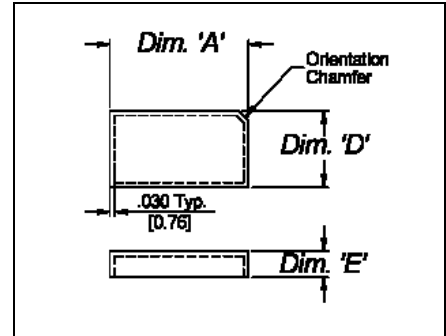


Figure 1

TOP EXIT - Figure 2						
CA Part #	Position	A	B	C	D	E
08-160-050	08	.450 [11.43]	.390 [9.91]	.050 [1.27]	.470 [11.94]	.160 [4.06]
14-160-050	14	.750 [19.05]	.590 [14.99]	.050 [1.27]	.470 [11.94]	.160 [4.06]
14-160-100-690	14	.750 [19.05]	.690 [17.53]	.100 [2.54]	.470 [11.94]	.160 [4.06]
16-160-050	16	.850 [21.59]	.690 [17.53]	.050 [1.27]	.470 [11.94]	.160 [4.06]
16-160-100-790	16	.850 [21.59]	.790 [20.07]	.100 [2.54]	.470 [11.94]	.160 [4.06]
18-160-080	18	.950 [24.13]	.890 [22.61]	.080 [2.03]	.470 [11.94]	.160 [4.06]
24-170-050	24	1.250 [31.75]	1.100 [27.94]	.050 [1.27]	.795 [20.19]	.170 [4.32]
28-170-050	28	1.450 [36.83]	1.300 [33.02]	.050 [1.27]	.795 [20.19]	.170 [4.32]
40-170-050	40	2.050 [52.07]	1.900 [48.26]	.050 [1.27]	.795 [20.19]	.170 [4.32]

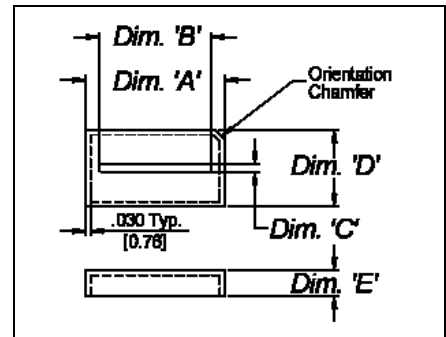


Figure 2

SIDE EXIT - Figure 3							
CA Part #	Position	A	B	C	D	E	F
08-200-S100	08	.450 [11.43]	.390 [9.91]	.030 [0.76]	.470 [11.94]	.195 [4.95]	.100 [2.54]
14-200-S100	14	.750 [19.05]	.625 [15.88]	.030 [0.76]	.470 [11.94]	.195 [4.95]	.100 [2.54]
16-200-S100	16	.850 [21.59]	.725 [18.42]	.030 [0.76]	.470 [11.94]	.195 [4.95]	.100 [2.54]
18-200-S100	18	.950 [24.13]	.890 [22.61]	.030 [0.76]	.470 [11.94]	.195 [4.95]	.100 [2.54]
20-200-S100	20	1.050 [26.67]	.990 [25.15]	.030 [0.76]	.470 [11.94]	.195 [4.95]	.100 [2.54]

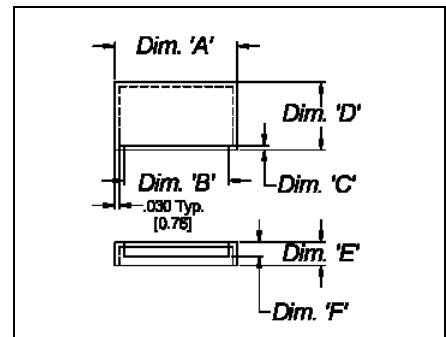


Figure 3

Mating Product: Dip Plugs

For more information please contact our customer service department or visit our website at circuitassembly.com