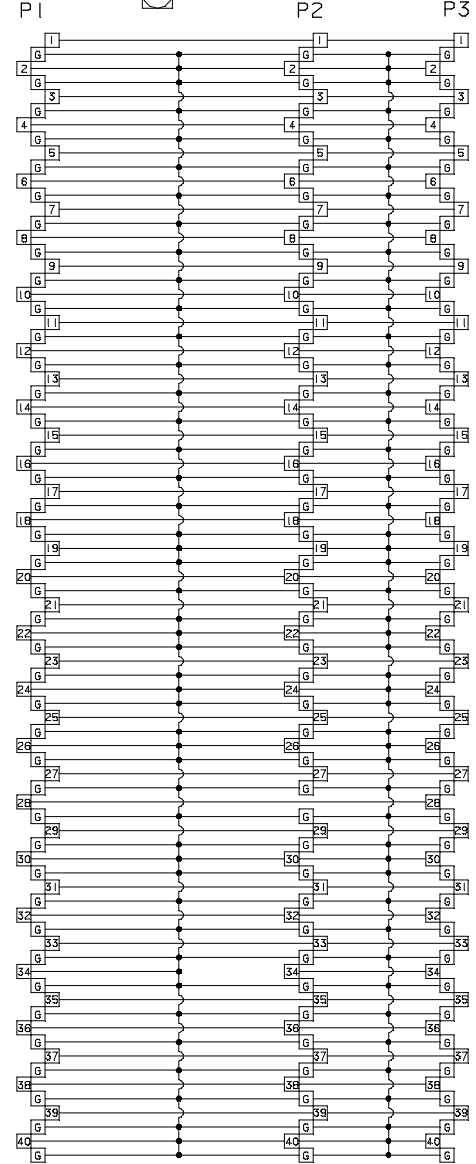


PART NO. 905136-02

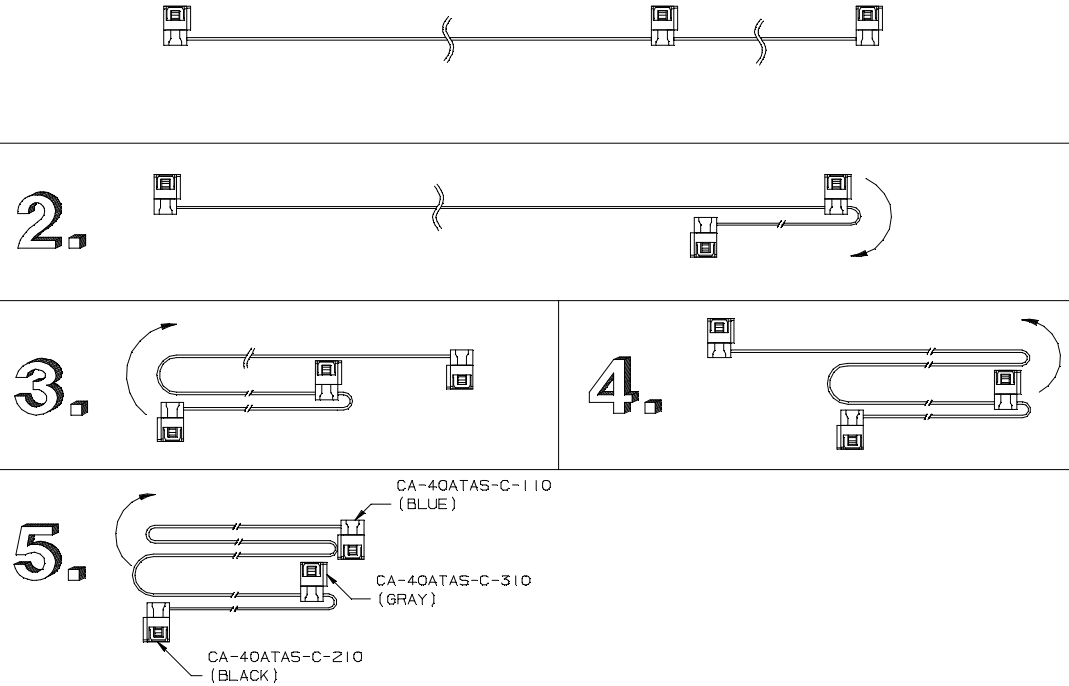
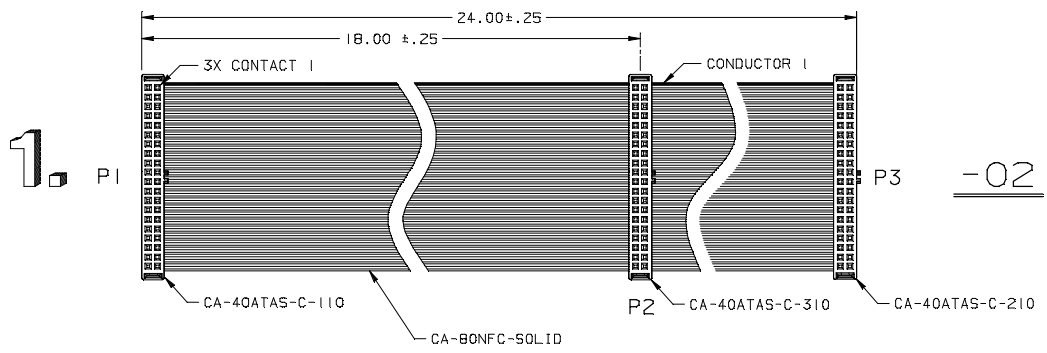
WIRING DIAGRAM



SIGNAL NAMES

- RESET
- GROUND
- GROUND
- GROUND
- DD7
- GROUND
- DD8
- GROUND
- DD6
- GROUND
- DD9
- GROUND
- DD5
- GROUND
- DD10
- GROUND
- DD4
- GROUND
- DD11
- GROUND
- DD3
- GROUND
- DD12
- GROUND
- DD2
- GROUND
- DD13
- GROUND
- DD1
- GROUND
- DD14
- GROUND
- DD0
- GROUND
- DD15
- GROUND
- GROUND
- GROUND
- GROUND
- (KEYP IN)
- GROUND
- DMARQ
- GROUND
- GROUND
- GROUND
- DIOW
- GROUND
- GROUND
- GROUND
- DIOR
- GROUND
- GROUND
- GROUND
- IORDY
- GROUND
- CSEL
- GROUND
- DMACK
- GROUND
- GROUND
- GROUND
- INTRQ
- GROUND
- IOC516
- GROUND
- DA1
- GROUND
- PD1AG
- GROUND
- DA0
- GROUND
- DA2
- GROUND
- CS1FX
- GROUND
- CS3FX
- GROUND
- DASP
- GROUND
- GROUND
- GROUND

REVISIONS				
LTR	DESCRIPTION	DATE	APPROVED	
A	INITIAL RELEASE SEE DO 3302	DL 12-30-98	A. J.	
B	SEE DO 3528	DL 4-5-99	A. J.	
C	SEE DO 3535	DL 4-13-99	A. J.	
D	SEE DO 6173	CP 8-14-06	L. F.	



5 MEETS THE REQUIREMENTS OF DIRECTIVE 2002/95/EC OF THE EUROPEAN PARLIAMENT AND OF THE COUNCIL OF 27 JANUARY 2003 ON THE RESTRICTION OF THE USE OF CERTAIN HAZARDOUS SUBSTANCES IN ELECTRICAL AND ELECTRONIC EQUIPMENT. (RoHS)

4. PACKAGE IN 6"x6" CLEAR POLY BAG AND HEAT SEAL. DO NOT CREASE FOLDS IN CABLE.

3 \*G\* REFERS TO COMMON GROUND BUS.

2. REFER TO CA DRAWING NO. 610191 FOR CONNECTOR SPECIFICATIONS.

1. SIGNAL NAMES ARE FOR REFERENCE ONLY.

NOTES: UNLESS OTHERWISE SPECIFIED

DIMENSIONS ARE IN INCHES TOLERANCES ARE:	APPROVALS	DATE	<b>CIRCUIT ASSEMBLY CORP.</b> 18 THOMAS ST., IRVINE, CALIFORNIA 92618-2777
DECIMALS ANGLES .XX ± .005 ± 3° .XXX ± .002	DRAWN D. LANG	12-30-98	
DIMENSIONS IN BRACKETS (X.XX) ARE IN MILLIMETERS TOLERANCES ARE:	CHECKED A. JOCHEN	12-30-98	<b>CABLE ASSEMBLY</b> <b>CA-T40ATAS-024.00</b> <b>"RHS COMPLIANT"</b>
DECIMALS ANGLES .XX ± .005 ± 3° .XX ±	THE INFORMATION AND DESIGN DISCLOSED HEREIN WAS ORIGINATED BY AND IS THE PROPERTY OF CIRCUIT ASSEMBLY CORPORATION. CIRCUIT ASSEMBLY CORPORATION RESERVES ALL PATENT, PROPRIETARY, RIGHTS, MANUFACTURING, REPRODUCTION, USE AND SALES RIGHTS THEREIN, AND NO ARTICLE DISCLOSED HEREIN, EXCEPT TO THE EXTENT RIGHTS ARE EXPRESSLY GRANTED TO OTHERS, THE FOREGOING DOES NOT APPLY TO VENDOR PROPRIETARY RIGHTS.		
DO NOT SCALE DRAWING	SIZE C	CODE IDENT NO. 52072	DRAWING NO. <b>905136</b>
	SCALE: 1:1	SHEET 1 OF 1	REV. D