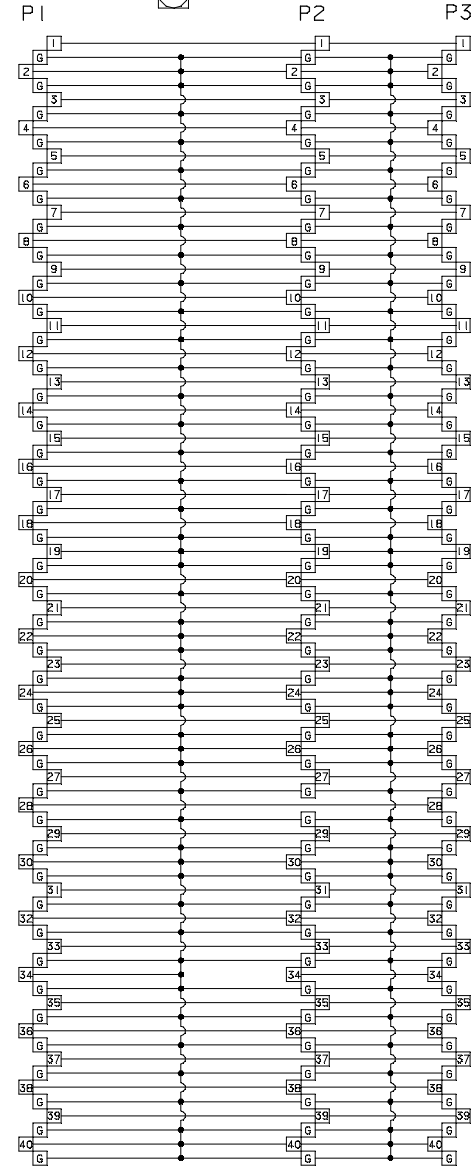


PART NO. 905131-02

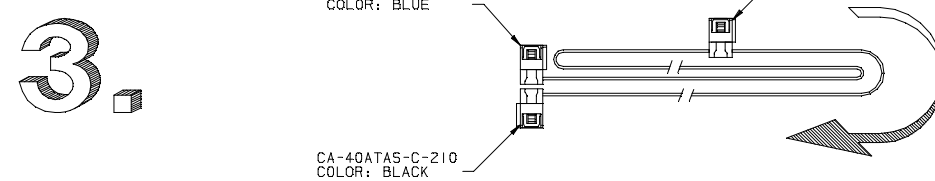
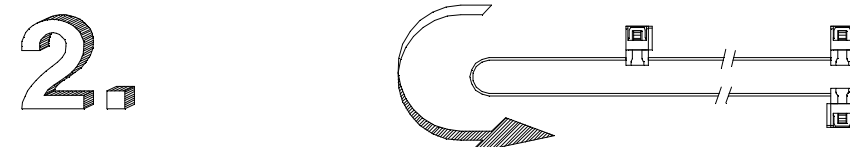
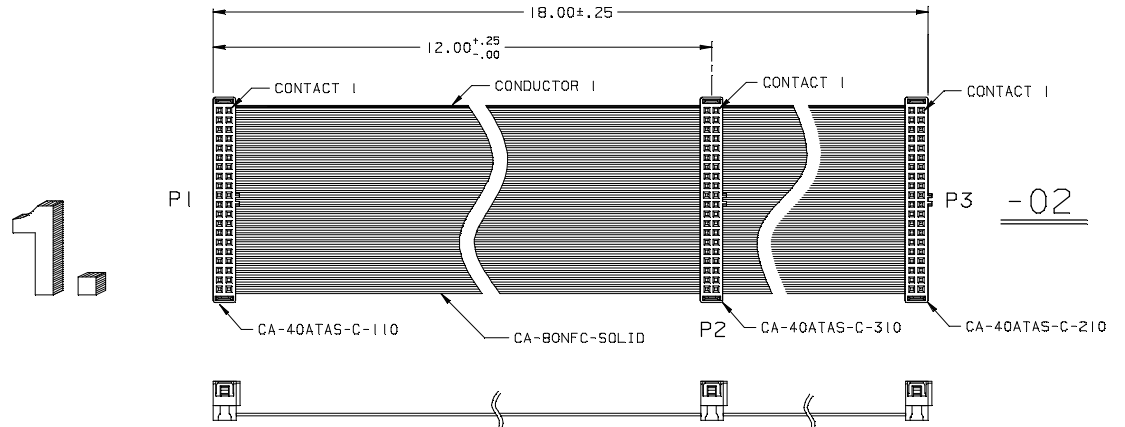
WIRING DIAGRAM



SIGNAL NAMES

- RESET
- GROUND
- GROUND
- GROUND
- DD7
- GROUND
- DD8
- GROUND
- DD6
- GROUND
- DD9
- GROUND
- DD5
- GROUND
- DD10
- GROUND
- DD4
- GROUND
- DD11
- GROUND
- DD3
- GROUND
- DD12
- GROUND
- DD2
- GROUND
- DD13
- GROUND
- DD1
- GROUND
- DD14
- GROUND
- DD0
- GROUND
- DD15
- GROUND
- GROUND
- GROUND (KEYP.IN)
- GROUND
- DMARQ
- GROUND
- GROUND
- GROUND
- DIOW
- GROUND
- GROUND
- GROUND
- DIOR
- GROUND
- GROUND
- GROUND
- LRDY
- GROUND
- CSEL
- GROUND
- DMACK
- GROUND
- GROUND
- INTRQ
- GROUND
- IOC516
- GROUND
- DA1
- GROUND
- PD1AG
- GROUND
- DA0
- GROUND
- DA2
- GROUND
- CS1FX
- GROUND
- CS3FX
- GROUND
- DASP
- GROUND
- GROUND
- GROUND

REVISIONS				
LTR	DESCRIPTION	DATE	APPROVED	
A	INITIAL RELEASE SEE DO 3229	PH 10-06-98	A. J.	
B	SEE DO 3476	DL 3-16-99	A. J.	
C	SEE DO 3528	DL 4-5-99	A. J.	
D	SEE DO 3535	DL 4-13-99	A. J.	
E	SEE DO 6173	CP 8-14-06	L. F.	



5. MEETS THE REQUIREMENTS OF DIRECTIVE 2002/95/EC OF THE EUROPEAN PARLIAMENT AND OF THE COUNCIL OF 27 JANUARY 2003 ON THE RESTRICTION OF THE USE OF CERTAIN HAZARDOUS SUBSTANCES IN ELECTRICAL AND ELECTRONIC EQUIPMENT. (RoHS)

4. PACKAGE IN 6"x6" CLEAR POLY BAG AND HEAT SEAL. DO NOT CREASE FOLDS IN CABLE.

3. *G* REFERS TO COMMON GROUND BUS.

2. REFER TO CA DRAWING NO. 610191 FOR CONNECTOR SPECIFICATIONS.

1. SIGNAL NAMES ARE FOR REFERENCE ONLY.

NOTES: UNLESS OTHERWISE SPECIFIED

DIMENSIONS ARE IN INCHES TOLERANCES ARE:		APPROVALS		DATE	CIRCUIT ASSEMBLY CORP. 18 THOMAS ST., IRVINE, CALIFORNIA 92618-2777
DECIMALS	ANGLES	DRAWN	P. HAAR	10-06-98	
.XX ± .01	± 5°	CHECKED	A. JOCHEN	10-06-98	THE INFORMATION AND DESIGN DISCLOSED HEREIN WAS ORIGINATED BY AND IS THE PROPERTY OF CIRCUIT ASSEMBLY CORPORATION. RESERVES ALL PATENT, PROPRIETARY, DESIGN, MANUFACTURING, REPRODUCTION, USE AND SALES RIGHTS THEREIN, AND NO ARTICLE DISCLOSED HEREIN IS EXCEPT TO THE EXTENT RIGHTS ARE EXPRESSLY GRANTED TO OTHERS, THE FOREGOING DOES NOT APPLY TO VENDOR PROPRIETARY RIGHTS.
DECIMALS	ANGLES	DIMENSIONS IN BRACKETS [X.XX] ARE IN MILLIMETERS TOLERANCES ARE:		SIZE C CODE IDENT NO. 52072 DRAWING NO. 905131 REV. E	
DO NOT SCALE DRAWING		SCALE: 1:1		SHEET 1 OF 1	