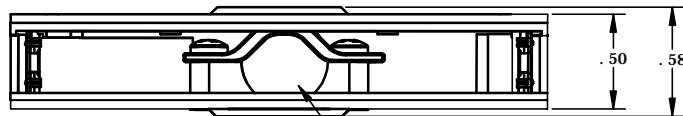
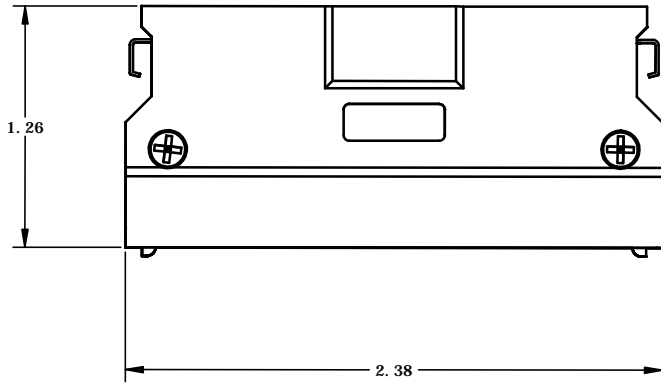
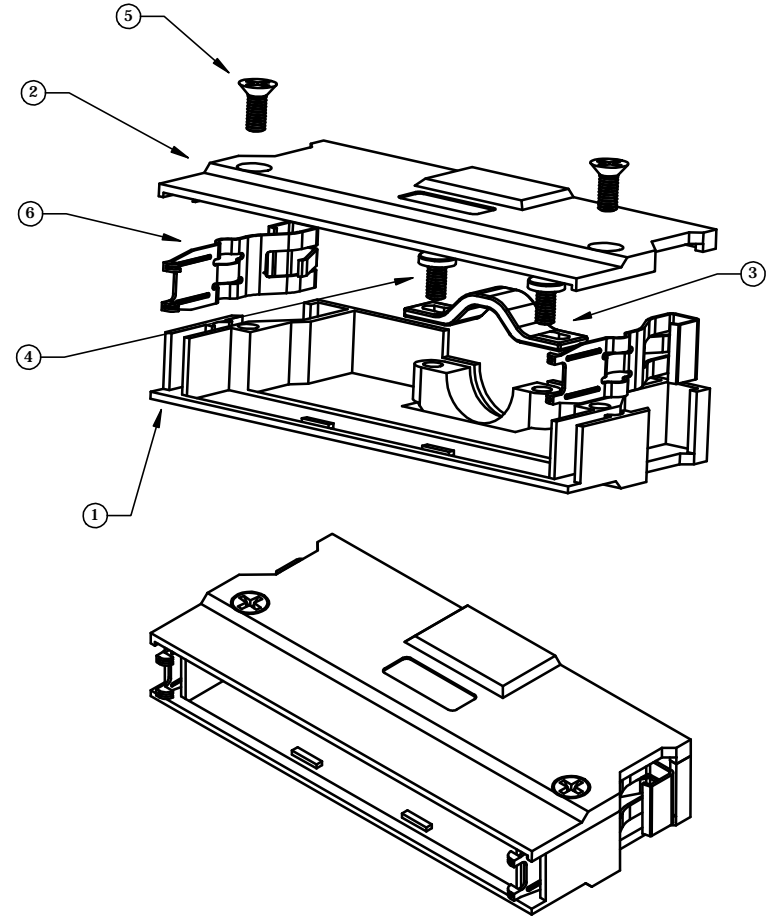


PART NO. 68BSM-L

REVISIONS			
LTR	DESCRIPTION	DATE	APPROVED
A	INITIAL RELEASE SEE DO 3715	JL 9-16-99	A. J.



CABLE CAPACITY
.38 INCH DIAMETER
MAXIMUM



6	2	METAL LATCH
5	2	FLAT HEAD SCREW (# 3-56 x.240)
4	2	PAN HEAD SCREW (# 3-56 x.150)
3	1	METAL CABLE CLAMP
2	1	METAL BACKSHELL - TOP
1	1	METAL BACKSHELL - BOTTOM
ITEM NO.	QTY.	DESCRIPTION

DIMENSIONS ARE IN INCHES TOLERANCES ARE:		APPROVALS	DATE
DECIMALS	ANGLES	DRAWN J. LANG	9-16-99
.XX ± .020	±3°	CHECKED A. JOCHEN	9-16-99
.XXX ± .010		THE INFORMATION AND DESIGN DISCLOSED HEREIN WAS ORIGINATED BY AND IS THE PROPERTY OF CIRCUIT ASSEMBLY CORPORATION. CIRCUIT ASSEMBLY CORPORATION RESERVES ALL PATENT, PROPRIETARY, DESIGN, MANUFACTURING, REPRODUCTION, USE AND SALES RIGHTS THEREIN, AND TO ANY ARTICLE DISCLOSED HEREIN EXCEPT TO THE EXTENT RIGHTS ARE EXPRESSLY GRANTED TO OTHERS. THE FOREGOING DOES NOT APPLY TO VENDOR PROPRIETARY RIGHTS.	
DIMENSIONS IN MILLIMETERS TOLERANCES ARE:		DO NOT SCALE DRAWING	
DECIMALS	ANGLES		
.X ± .25	±3°		
.XX ± .13			

CIRCUIT ASSEMBLY CORP. 18 THOMAS ST., IRVINE, CALIFORNIA 92618-2777			
BACKSHELL, ZINC WITH LATCHES CA - 68BSM-L			
SIZE	CODE IDENT NO.	DRAWING NO.	REV.
C	52072	8513	A
SCALE: 2:1		SHEET 1 OF 1	

MATERIAL AND PLATING:
 METAL BACKSHELL TOP AND BOTTOM : DIE CAST ZINC WITH NICKEL PLATING
 PANHEAD SCREWS : STEEL WITH NICKEL PLATING
 FLATHEAD SCREWS : STEEL WITH NICKEL PLATING
 METAL LATCHES : STAINLESS STEEL
 METAL CABLE CLAMP : STEEL WITH NICKEL PLATING

D
C
B
A

D
C
B
A