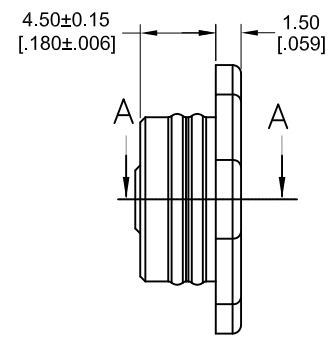
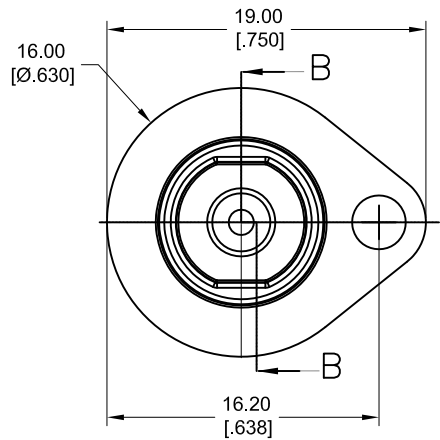
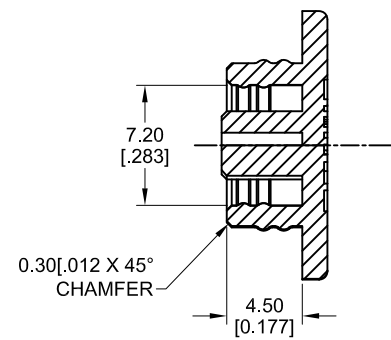


PART NO. CA-AESL/DC-X-X

REVISIONS				
LTR	DESCRIPTION	DATE	APPROVED	
A	INITIAL RELEASE SEE DO 7501	C.P. 02-11-19	T.L.	
B	SEE DO 7505	C.P. 02-21-19	T.L.	
C	SEE DO 7506	C.P. 02-22-19	T.L.	
D	SEE DO 7551	C.P. 02-14-20	T.L.	



SECTION B-B



P/N: CA-AESL/DC-X-1

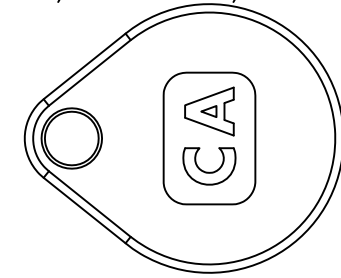
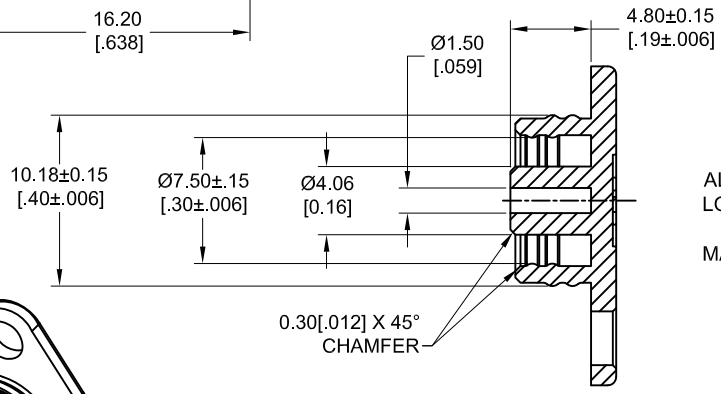


Figure # 1



CA-AESL/DC-X-X

ALTERNATIVE ENERGY SOLAR LOCKING, DUST COVER

MATERIAL OPTION

- 1 = TPE, COLOR: BLACK
- 2 = PVC, COLOR: GREEN #322U
- 3 = PVC, COLOR: RED
- 4 = PVC, COLOR: BLACK

LOGO OPTION

- 1 = CA LOGO
- 2 = RM LOGO
- 3 = BLANK

P/N: CA-AESL/DC-X-2

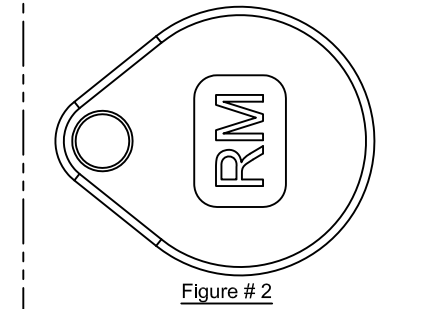
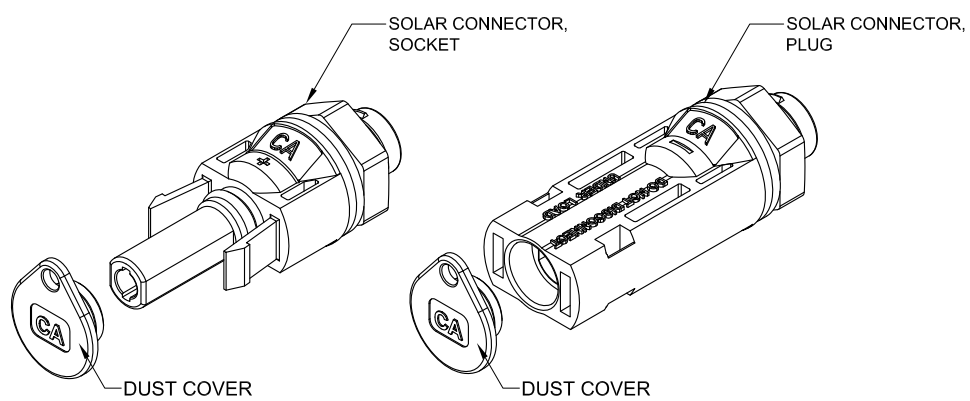


Figure # 2

APPLICATION



3. THE COVER SHALL BE MATED WITH THE SOLAR CONNECTORS OF CA PART NO SERIES: CA-H619XXX-XX, CA-H629XXX-XX, CA-H630XXX-XX, CA-H630011-XX.

2. MATERIAL: SEE ORDERING NOMENCLATURE

1. MEETS THE REQUIREMENTS OF THE EUROPEAN PARLIAMENT AND THE RESTRICTION OF THE USE OF CERTAIN HAZARDOUS SUBSTANCES IN ELECTRICAL AND ELECTRONIC EQUIPMENT. (RoHS)

NOTES: UNLESS OTHERWISE SPECIFIED

DIMENSION ARE IN MILLIMETERS TOLERANCES ARE: DECIMALS ANGLES .X ±.25 ±3° XX ±.13	APPROVALS	DATE	<b>CIRCUIT ASSEMBLY CORP.</b> 3A VANDERBILT, IRVINE, CALIFORNIA 92618-2030
	DRAWN CUONG PHAM	2-11-19	
DIMENSIONS IN BRACKET [X.XX] ARE IN INCHES. TOLERANCES ARE:	CHECKED TERRI LANG	2-11-19	<b>ACCESSORY - SOLAR, AESL SERIES DUST COVER (CA-AESL/DC-X-X) "RoHS"</b>
	<small>THE INFORMATION AND DESIGN DISCLOSED HEREIN WAS ORIGINATED BY AND IS THE PROPERTY OF CIRCUIT ASSEMBLY CORPORATION. CIRCUIT ASSEMBLY CORPORATION RESERVES ALL PATENT, PROPRIETARY, DESIGN, MANUFACTURING, REPRODUCTION, USE AND SALES RIGHTS HERETO AND TO ANY ARTICLE DISCLOSED HEREIN EXCEPT TO THE EXTENT RIGHTS ARE EXPRESSLY GRANTED TO OTHERS. THE FOREGOING DOES NOT APPLY TO VENDOR PROPRIETARY RIGHTS.</small>		
DECIMALS ANGLES .XX ±.010 ±3° XXX ±.005	SIZE C	CODE IDENT NO. 52072	DRAWING NO. <b>630053</b>
DO NOT SCALE DRAWING	SCALE: 4:1		REV. <b>D</b>