

4

3

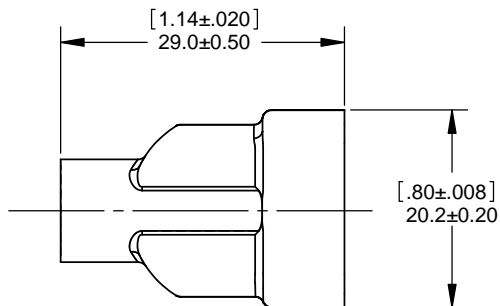
2

1

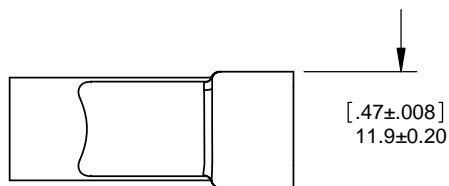
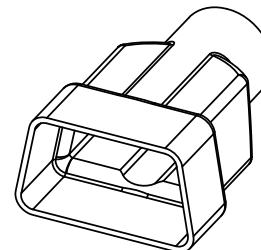
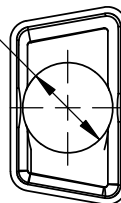
PART NO. CA-09DMS-XXX

REVISIONS

LTR	DESCRIPTION	DATE	APPROVED
A	INITIAL RELEASE SEE DO 4439	N.T.	4-9-01
B	SEE DO 4550	N.T.	7-5-01
C	SEE DO 7057	C.P.	2-8-11
D	SEE DO 7521	C.P.	4-19-19



∅ DIM 'A'
(SEE TABULATION)

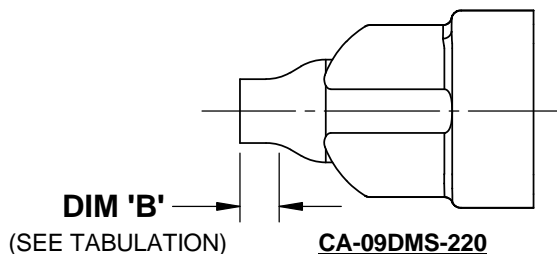


CA-09DMS-374

TABULATION		
ITEM	DIM. 'A' ± 0.3 [.012]	DIM. 'B' ± 0.5 [.020]
-220	5.5 [.220]	4.0 [.16]
-374	9.0 [.354]	0

3. MEETS THE REQUIREMENTS OF THE EUROPEAN PARLIAMENT AND THE RESTRICTION OF THE USE OF CERTAIN HAZARDOUS SUBSTANCES IN ELECTRICAL AND ELECTRONIC EQUIPMENT. (RoHS)
2. PLATING: TIN OVER NICKEL
1. MATERIAL: STEEL

NOTES: UNLESS OTHERWISE SPECIFIED



Dimensions are in millimeters. Tolerances are: Decimals Angles .X ± .25 ± 3° .XX ± .13	APPROVALS DRAWN NANCY TUNG CHECKED LEROY FONG	DATE 4/9/01 4/9/01
Dimensions in brackets [x.xx] are in inches, Tolerances are: Decimals Angles .XX ± .010 ± 3° .XXX ± .005	THE INFORMATION AND DESIGN DISCLOSED HEREIN WAS ORIGINATED BY AND IS THE PROPERTY OF CIRCUIT ASSEMBLY CORPORATION. CIRCUIT ASSEMBLY CORPORATION RESERVES ALL PATENT, PROPRIETARY, DESIGN, MANUFACTURING, REPRODUCTION, USE AND SALES RIGHTS THEREON, AND TO ANY ARTICLE DISCLOSED HEREIN EXCEPT TO THE EXTENT RIGHTS ARE EXPRESSLY GRANTED TO OTHERS. THE FOREGOING DOES NOT APPLY TO VENDOR PROPRIETARY RIGHTS.	
DO NOT SCALE DRAWING		

CA **CIRCUIT ASSEMBLY CORP.**
3A VANDERBILT, IRVINE, CALIFORNIA 92618-2030

SHIELD -D-SUB
CA-09DMS-XXX
"RoHS"

SIZE	CODE IDENT NO.	DRAWING NO.	REV.
B	52072	630012	D

SCALE: 2 : 1

SHEET 1 OF 1

4

3

2

1