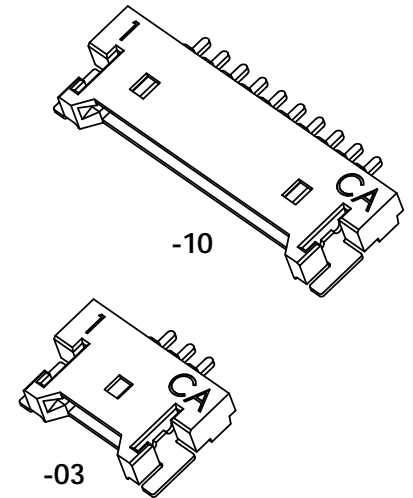
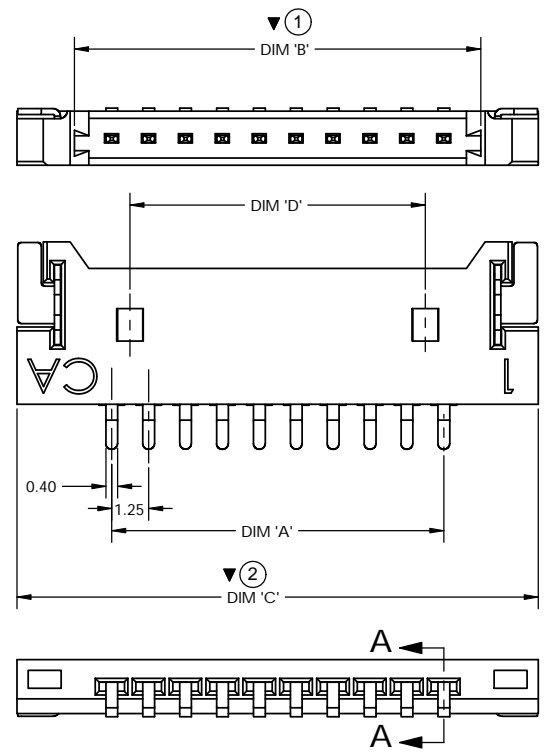


PART NO. CA-622021

REVISIONS

LTR	DESCRIPTION	DATE	APPROVED
A	INITIAL RELEASE SEE DO 6953	C.P. 4-29-10	L.F.
B	SEE DO 7046	C.P. 12-13-10	L.F.
C	SEE DO 7129	C.P. 08-05-11	L.F.
D	SEE DO 7134	C.P. 08-11-11	L.F.
E	SEE DO 7184	C.P. 04-16-11	I.M.
F	SEE DO 7260	C.P. 03-18-14	I.M.

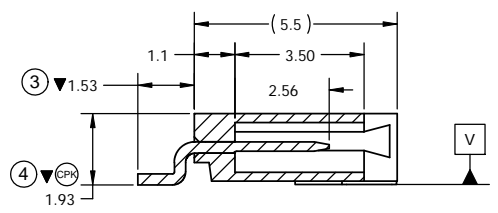


ORDERING NOMENCLATURE:  
**CA- 622021 - XX**

1.25mm CONNECTOR  
WAFER (M)

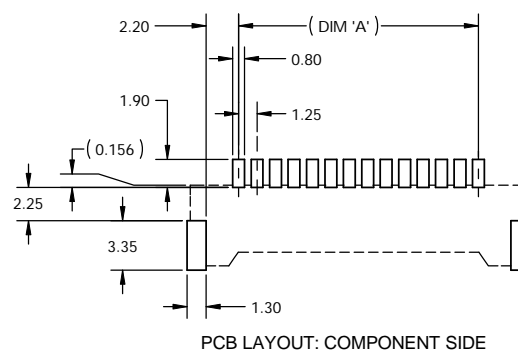
NUMBER OF PIN POS

02, 03, 04, 06, 09,  
10, 14, 16, 20, 24



SECTION A-A TABULATION :

NO OF POS.	DIM 'A'	DIM 'B'	DIM 'C'	DIM 'D'
	MM	MM	MM	MM
-02	1.25	3.77	7.65	N/A
-03	2.50	5.02	8.90	N/A
-04	3.75	6.27	10.15	2.50
-06	6.25	8.77	12.65	5.00
-09	10.00	12.52	16.40	8.75
-10	11.25	13.77	17.65	10.00
-14	16.25	18.77	22.65	15.00
-16	18.75	21.27	25.15	17.50
-20	23.75	26.27	30.15	22.50
-24	28.75	31.27	35.15	27.50



7. -MARK "▼" DIMENSION MUST BE CONTROLLED  
 -MARK "(X)" IS DIMENSION No.  
 -MARK "CPK" MUST BE CONTROLLED BY CPK.

6. FOR PLATING, CONSULT FACTORY FOR ADDITIONAL OPTION.

5. FOR REEL CONFIGURATION, SEE SHEET 2 & 3.

4. FOR DETAIL SPECIFICATION, SEE DOCUMENT # CA-100254

3. SPECIFICATIONS:

ENVIRONMENTAL  
 - TEMPERATURE RANGE : -40°C TO 85°C

MECHANICAL  
 - INSULATOR MATERIAL : HIGH TEMP THERMOPLASTIC,  
 COLOR: NATURAL, UL94V-0  
 - CONTACT MATERIAL : BRASS  
 - PLATING:

CONTACT AREA : .0002 [.0000078"] GOLD  
 TAIL AREA : .0030 [.000120"] TIN MIN.  
 UNDERPLATE : .0010 [.000040"] NICKEL MIN.

- DURABILITY : 30 CYCLES  
 - TOTAL MATING FORCE : <2.1 N PER PIN

ELECTRICAL  
 - VOLTAGE RATING : 125V AC  
 - CURRENT RATING : 1.0 AMP PER CONTACT  
 - DIELECTRIC WITHSTANDING VOLTAGE : 250V AC MIN FOR 1 MINUTE BETWEEN ADJACENT PINS  
 - INSULATOR RESISTANCE : >100 MEGOHMS  
 - CONTACT RESISTANCE : <20 MILLIOHMS

2. INTERPRET DIMENSIONS AND TOLERANCES PER ASME Y14.5M - 1994

1. MEETS THE REQUIREMENTS OF DIRECTIVE 2011/65/EU OF THE EUROPEAN PARLIAMENT AND OF THE COUNCIL OF 03 JANUARY 2011 ON THE RESTRICTION OF THE USE OF CERTAIN HAZARDOUS SUBSTANCES IN ELECTRICAL AND ELECTRONIC EQUIPMENT. (ROHS 2.0)

NOTES: UNLESS OTHERWISE SPECIFIED

DIMENSIONS ARE IN MM TOLERANCES ARE:		APPROVALS	DATE
DECIMALS	ANGLES	DRAWN	4-21-10
.X ±.25	±3°	CUONG P	
.XX ±.10		CHECKER	4-21-10
		LEROY FONG	
DIMENSIONS IN BRACKETS [X.XX] ARE IN INCHES TOLERANCES ARE:			
DECIMALS	ANGLES	THE INFORMATION AND DESIGN DISCLOSED HEREIN WAS ORIGINATED BY AND IS THE PROPERTY OF CIRCUIT ASSEMBLY CORPORATION. CIRCUIT ASSEMBLY CORPORATION RESERVES ALL PATENT, PROPRIETARY, DESIGN, MANUFACTURING, REPRODUCTION, USE AND SALES RIGHTS THEREIN, AND TO ANY ARTICLE DISCLOSED HEREIN EXCEPT TO THE EXTENT RIGHTS ARE EXPRESSLY GRANTED TO OTHERS. THE FOREGOING DOES NOT APPLY TO VENDOR PROPRIETARY RIGHTS.	
.XX ±.010	±3°		
.XX ±.005			
DO NOT SCALE DRAWING			

**CA** CIRCUIT ASSEMBLY CORP.  
 18 THOMAS ST., IRVINE, CALIFORNIA 92618-2777

**CONNECTOR ASSEMBLY**  
**1.25mm CONNECTOR WAFER (M)**  
**"ROHS COMPLIANT 2.0"**

SIZE	CODE IDENT NO.	DRAWING NO.	REV.
C	52072	622021	F

SCALE: 10:1 SHEET 1 OF 3

4

3

2

1

REVISIONS			
LTR	DESCRIPTION	DATE	APPROVED
	SEE SHEET 1		

D

D

C

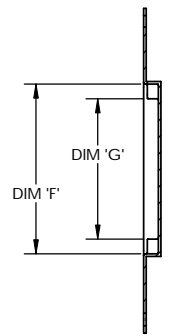
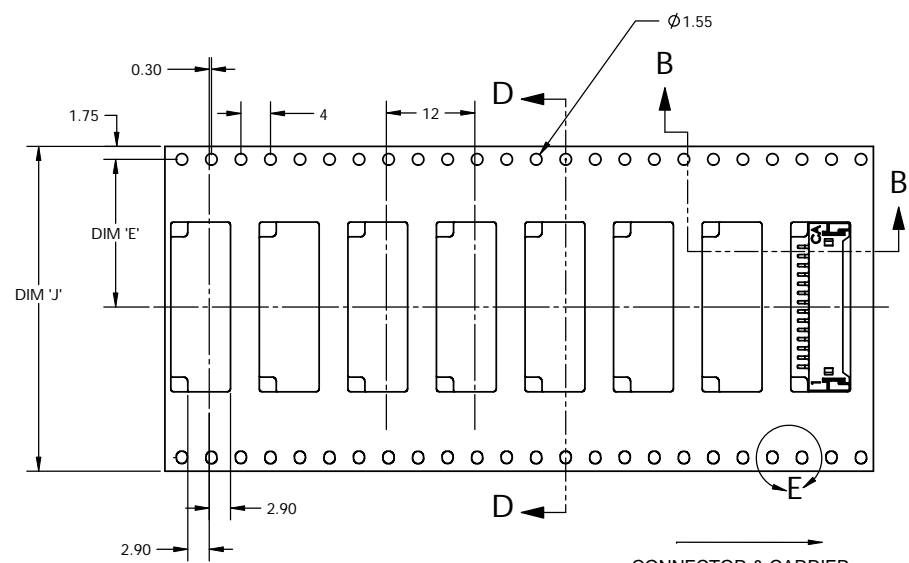
C

B

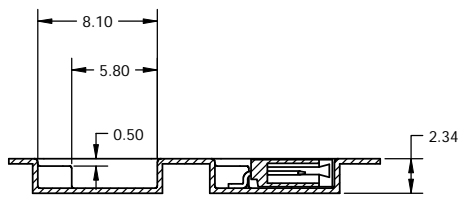
B

A

A



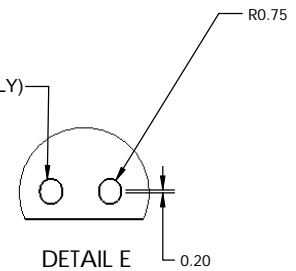
SECTION D-D



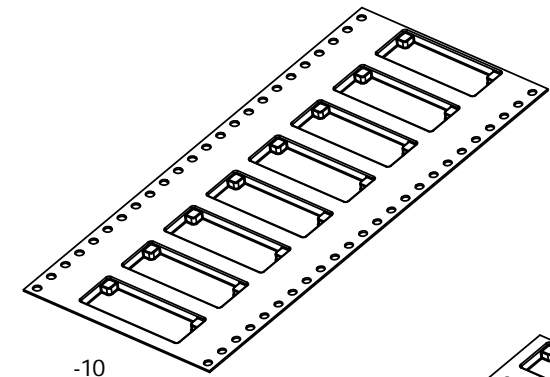
SECTION B-B  
SCALE 4 : 1

CONNECTOR & CARRIER ORIENTATION

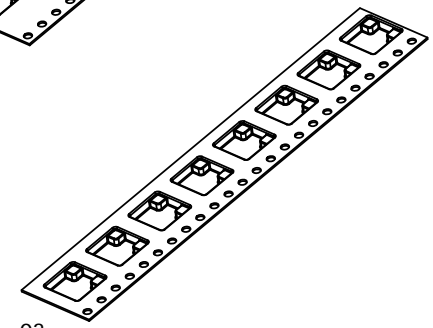
(USED ON -14 ONLY)



DETAIL E

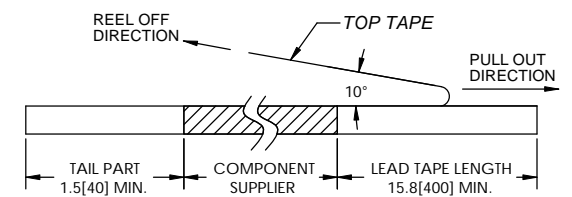


-10



-03

9. TOP TAPE REEL OFF FORCE : 10.2gf - 71.4gf [0.1N - 0.7N]  
REELING DIRECTION SHOWN IN FIGURE BELOW, PEELOFF SHOULD NOT BE ALLOWED DURING TRANSPORTATION.



8. COMPONENTS LOAD PER 13 INCH REEL: 2000 PIECES

7. PACKING LENGTH PER 22 INCH REEL: 75.0 METERS.

6. EMBOSSED TAPE MATERIAL: BLACK POLYSTYRENE ALLOY (UP-6200) 100% RECYCLABLE, .014 [0.35] THICK.

5. CARRIER CAMBER IS WITHIN 1 mm IN 100mm.

4. 10 SPROCKET HOLE PITCH CUMULATIVE TOLERANCE ±.008 [0.20].  
NOTES: UNLESS OTHERWISE SPECIFIED

TABULATION :

NO OF POS.	DIM 'J'	DIM 'E'	DIM 'F'	DIM 'G'
	MM	MM	MM	MM
-02	16.0	7.5	7.95	3.95
-03	16.0	7.5	9.23	5.23
-04	24.0	11.5	10.50	6.50
-06	24.0	11.5	13.00	9.00
-09	32.0	15.25	16.75	12.75
-10	32.0	15.25	18.00	14.00
-14	44.0	20.2	23.00	19.00
-16	44.0	20.2	25.50	21.50
-20	44.0	20.2	30.50	26.50
-24	56.0	26.2	35.50	31.50

DIMENSIONS ARE IN MM TOLERANCES ARE:		APPROVALS		DATE		CIRCUIT ASSEMBLY CORP.	
DRAWN CUONG P.		4-21-10		18 THOMAS ST., IRVINE, CALIFORNIA 92618-2777		CONNECTOR ASSEMBLY	
CHECKED LEROY FONG		4-21-10		"1.25mm CONNECTOR WAFER (M)"		"ROHS COMPLIANT 2.0"	
DIMENSIONS IN BRACKETS [X.XX] ARE IN INCHES TOLERANCES ARE:		THE INFORMATION AND DESIGN DISCLOSED HEREIN WAS ORIGINATED BY AND IS THE PROPERTY OF CIRCUIT ASSEMBLY CORPORATION. CIRCUIT ASSEMBLY CORPORATION RESERVES ALL PATENT, PROPRIETARY, DESIGN, MANUFACTURING, REPRODUCTION, USE AND SALES RIGHTS THEREIN, AND TO ANY ARTICLE DISCLOSED HEREIN EXCEPT TO THE EXTENT RIGHTS ARE EXPRESSLY GRANTED TO OTHERS. THE FOREGOING DOES NOT APPLY TO VENDOR PROPRIETARY RIGHTS.		SIZE		CODE IDENT NO.	
DECIMALS .XX ±.010		ANGLES ±3°		C		52072	
DO NOT SCALE DRAWING		SCALE: 2:1		DRAWING NO.		622021	
				REV.		F	
				SHEET 2 OF 3			

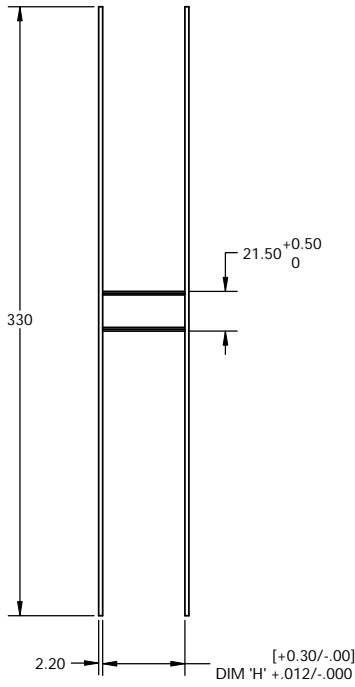
4

3

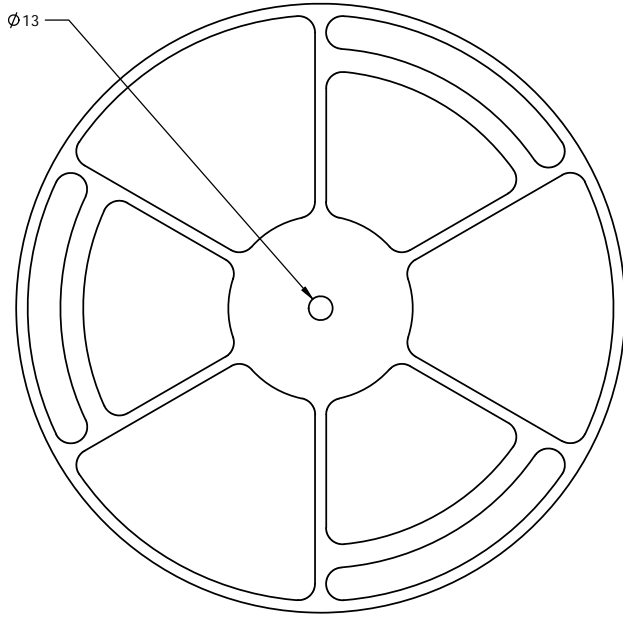
2

1

REVISIONS			
LTR	DESCRIPTION	DATE	APPROVED
	SEE SHEET 1		

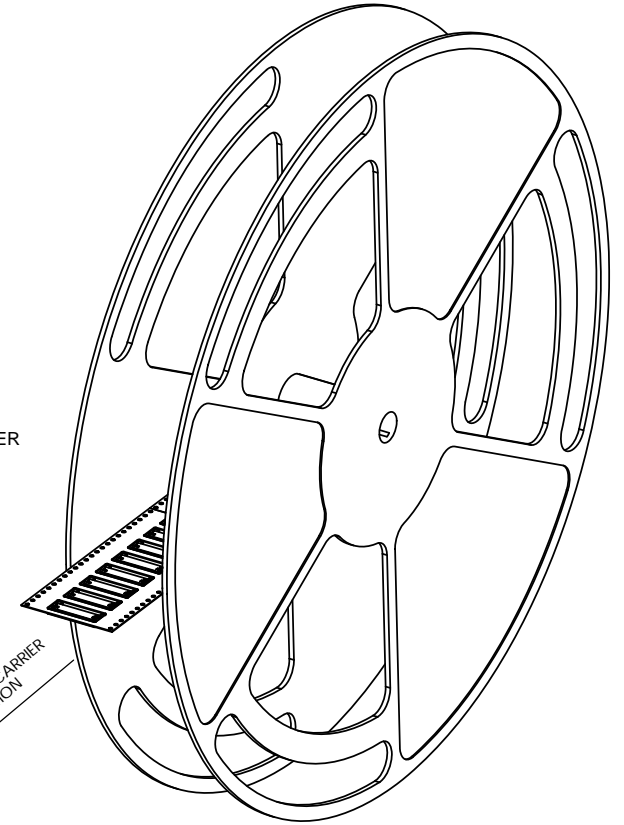


[+0.30/-00]  
DIM 'H' +.012/-000



CONNECTOR & CARRIER  
ORIENTATION

CONNECTOR & CARRIER  
ORIENTATION



TABULATION :

NO OF POS.	DIM 'H' MM
-02	16.50
-03	16.50
-04	24.00
-06	27.00
-09	32.50
-10	32.50
-14	44.50
-16	44.50
-20	44.50
-24	56.50

DIMENSIONS ARE IN MM TOLERANCES ARE:		APPROVALS	DATE
DRAWN		CUONG P.	4-21-10
CHECKED		LEROY FONG	4-21-10
DIMENSIONS IN BRACKETS [X.XX] ARE IN INCHES TOLERANCES ARE:		THE INFORMATION AND DESIGN DIS- CLOSED HEREIN WAS ORIGINATED BY AND IS THE PROPERTY OF CIRCUIT ASSEMBLY CORPORATION. CIRCUIT ASSEMBLY CORPORATION RESERVES ALL PATENT, PROPRIETARY, DESIGN, MANUFACTURING, REPRODUCTION, USE AND SALES RIGHTS THERE TO, AND TO ANY ARTICLE DISCLOSED HEREIN EXCEPT TO THE EXTENT RIGHTS ARE EXPRESSLY GRANTED TO OTHERS. THE FORGOING DOES NOT APPLY TO VENDOR PROPRIETARY RIGHTS.	
DECIMALS	ANGLES		
.X ±.25	±3°		
.XX ±.10			
.XX ±.010	±3°		
.XX ±.005			
DO NOT SCALE DRAWING			

<b>CIRCUIT ASSEMBLY CORP.</b> 18 THOMAS ST., IRVINE, CALIFORNIA 92618-2777			
<b>CONNECTOR ASSEMBLY</b> <b>1.25mm CONNECTOR WAFER (M)</b> <b>"ROHS COMPLIANT 2.0"</b>			
SIZE	CODE IDENT NO.	DRAWING NO.	REV.
C	52072	622021	F
SCALE: NONE		SHEET 3 OF 3	