

4

3

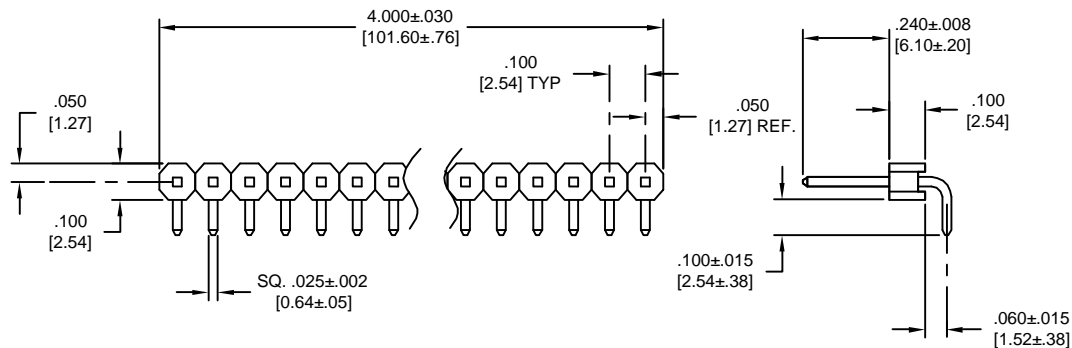
2

1

PART NO. CA-XXXX-24A3-10

SINGLE ROW

CA-S40R-24A3-10



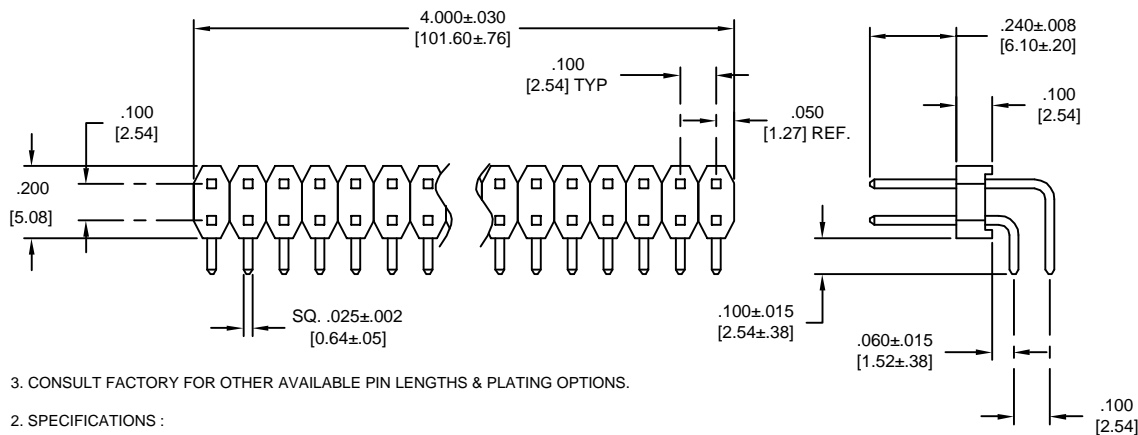
ORDERING NOMENCLATURE :

CA-S40R-24A3-10

NO. OF ROW & POSITIONS _____
S = SINGLE, 40 POS., RIGHT ANGLEPOST EXTENSION _____
24 = .240 [6.10]PLATING : _____
A3 = CONTACT : .000003[.000038] GOLD FLASH OVERALL
UNDERPLATE : .000075 [.00191] NICKELTAIL LENGTH : _____
10 = .100 [2.54] (STANDARD)

DUAL ROW

CA-D80R-24A3-10



CA-D80R-24A3-10

NO. OF ROW & POSITIONS _____
D = DUAL, 80 POS., RIGHT ANGLEPOST EXTENSION _____
24 = .240 [6.10]PLATING : _____
A3 = CONTACT : .000003[.000038] GOLD FLASH OVERALL
UNDERPLATE : .000075 [.00191] NICKELTAIL LENGTH : _____
10 = .100 [2.54] (STANDARD)


3. CONSULT FACTORY FOR OTHER AVAILABLE PIN LENGTHS & PLATING OPTIONS.

2. SPECIFICATIONS :

ENVIRONMENTAL :
TEMPERATURE RANGE : -55° TO +120° CMECHANICAL :
INSULATOR MATERIAL : HIGH TEMPERATURE NYLON GLASS FILLED, BLACK, UL94V-0
CONTACT MATERIAL : COPPER ALLOY
CONTACT PLATING : SEE ORDERING NOMENCLATUREELECTRICAL :
CURRENT RATING : 1 AMP
DIELECTRIC WITHSTANDING VOLTAGE : 500 Vrms
INSULATION RESISTANCE : > 1000 Megohms1. MEETS THE REQUIREMENTS OF DIRECTIVE 2002/95/EC OF THE EUROPEAN PARLIAMENT
AND OF THE COUNCIL OF 27 JANUARY 2003 ON THE RESTRICTION OF THE USE OF CERTAIN
HAZARDOUS SUBSTANCES IN ELECTRICAL AND ELECTRONIC EQUIPMENT. (ROHS)

NOTES : UNLESS OTHERWISE SPECIFIED

REVISIONS				
LTR	DESCRIPTION	DATE	APPROVED	
A	INITIAL RELEASE SEE DO 6598	C.P.	2-19-08	A.J.
B	SEE DO 6739	C.P.	9-10-08	A.J.

DIMENSIONS ARE IN INCHES TOLERANCES ARE: DECIMALS ANGLES .XX ± .010 ± 3° .XXX ± .005	APPROVALS	DATE	 CIRCUIT ASSEMBLY CORP. 18 THOMAS ST., IRVINE, CALIFORNIA 92618-2777
	DRAWN CUONG.P	2-19-08	
DIMENSIONS IN BRACKETS (X.XX) ARE IN MILLIMETERS TOLERANCES ARE: DECIMALS ANGLES .XX ± .25 ± 3° .XX ± .13	CHECKED A.JOCHEN	2-19-08	CONNECTOR ASSEMBLY - STRIPLINE CA-XXXX-24A3-10, RT. ANGLE "ROHS COMPLIANT"
	<small>THE INFORMATION AND DESIGN DISCLOSED HEREIN HAS BEEN OBTAINED BY AND IS THE PROPERTY OF CIRCUIT ASSEMBLY CORPORATION. CIRCUIT ASSEMBLY CORPORATION RESERVES ALL PATENT, PROPRIETARY, DESIGN, AND SALES RIGHTS THERE TO, AND TO ANY ARTICLES DISCLOSED HEREIN EXCEPT TO THE EXTENT RIGHTS ARE EXPRESSLY GRANTED TO OTHERS. THE FOREGOING DOES NOT APPLY TO VENDOR PROPRIETARY RIGHTS.</small>		
DO NOT SCALE DRAWING	SIZE C	CODE IDENT NO. 52072	DRAWING NO. 620517
	SCALE: 4 : 1		REV. B
			SHEET 1 OF 1

4

3

2

1