

4

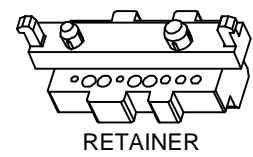
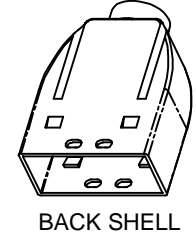
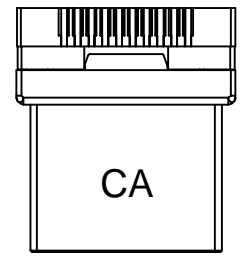
3

2

1

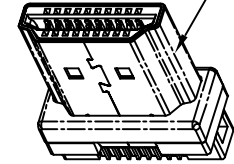
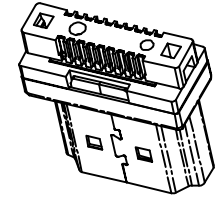
PART NO. CA-19HMP-X-X-X

REVISIONS				
LTR	DESCRIPTION	DATE	APPROVED	
A	INITIAL RELEASE SEE DO 5841	CP 09-01-05	L.F.	
B	SEE DO 6394	CP 04-04-07	L.F.	



RETAINER

FRONT SHELL



ORDERING NOMENCLATURE :

CA- 19HMP-X - X - X

NO OF POS. _____
19 = HDMI TYPE 'A'

HDMI PLUG _____

CONTACT PLATING

- C = .00038 [.000015] GOLD
- F = .00076 [.000030] GOLD
- SOLDER AREA : TIN PLATED
- UNDERPLATED : NICKEL

BACKSHELL & RETAINER

- S = O.D. : Ø6.80 [0.268] WITH RETAINER
- E = O.D. : Ø8.30 [0.327] WITH RETAINER
- N = WITHOUT BACKSHELL & RETAINER

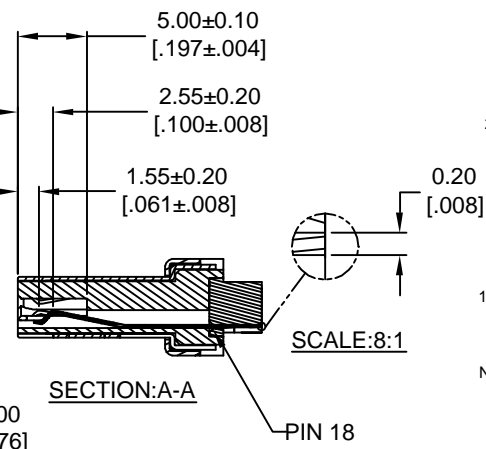
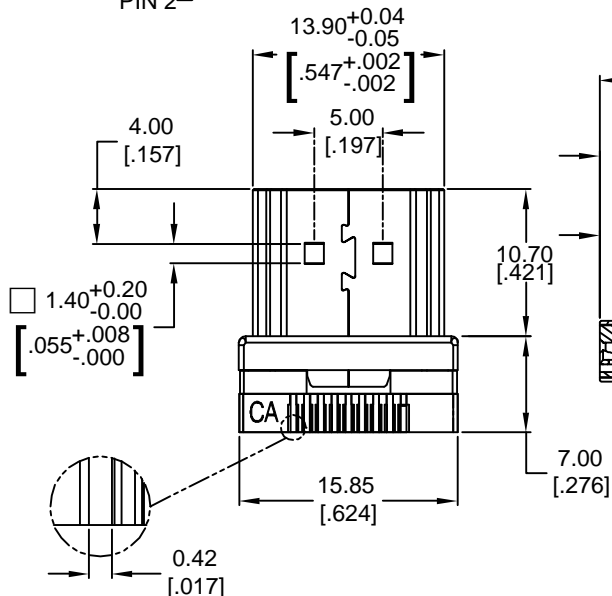
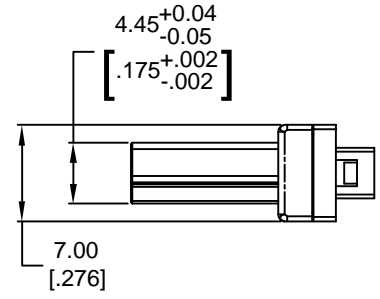
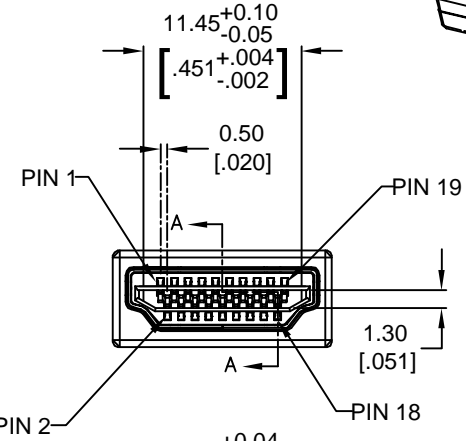
FRONT SHELL PLATING

- BLANK = NICKEL PLATED
- A = GOLD FLASH
- B = .000076 [.000003] GOLD

2. MATERIAL :
- INSULATOR : HIGH TEMPERATURE THERMOPLASTIC, UL 94V-0, COLOR BLACK
 - FRONT SHELL : COPPER/STEEL ALLOY, (FOR PLATING SEE ORDERING NOMENCLATURE)
 - MIDDLE SHELL : STEEL (SPTE), TIN PLATED
 - BACKSHELL : STEEL (SPCD), TIN PLATED
 - CONTACT : PHOSPHOR BRONZE

1. MEETS THE REQUIREMENTS OF DIRECTIVE 2002/95/EC OF THE EUROPEAN PARLIAMENT AND OF THE COUNCIL OF 27 JANUARY 2003 ON THE RESTRICTION OF THE USE OF CERTAIN HAZARDOUS SUBSTANCES IN ELECTRICAL AND ELECTRONIC EQUIPMENT. (ROHS)

NOTES : UNLESS OTHERWISE SPECIFIED



DIMENSIONS ARE IN MM TOLERANCES ARE:		APPROVALS	DATE	CIRCUIT ASSEMBLY CORP. 18 THOMAS ST., IRVINE, CALIFORNIA 92618-2777	
DECIMALS	ANGLES	DRAWN	CUONG P. 8-30-05		
XX ± .13	30°	CHECKED	LEROY FONG 8-30-05	CONNECTOR ASSEMBLY - HMP SERIES 19 POS., PLUG, 'A' TYPE 'ROHS COMPLIANT'	
DIMENSIONS IN BRACKETS [XXX] ARE INCHES TOLERANCES ARE:		THE INFORMATION AND DESIGN DISCLOSED HEREIN WAS ORIGINATED BY AND IS THE PROPERTY OF CIRCUIT ASSEMBLY CORPORATION. CIRCUIT ASSEMBLY CORPORATION RESERVES ALL PATENT, PROPRIETARY, DESIGN, MANUFACTURING, REPRODUCTION, USE AND SALES RIGHTS THEREIN, AND TO ANY ARTICLE DECLARED HEREIN EXCEPT TO THE EXTENT RIGHTS ARE EXPRESSLY GRANTED TO OTHERS. THE FOREGOING DOES NOT APPLY TO VENDOR PROPRIETARY RIGHTS.			
DECIMALS	ANGLES	SIZE	CODE IDENT NO.	DRAWING NO.	REV.
XXX ± .005	30°	C	52072	620493	B
DO NOT SCALE DRAWING		SCALE: 4 : 1		SHEET 1 OF 1	

4

3

2

1