

4

3

2

1

PART NO. CA-07ESAPR-X-0-X-X

REVISIONS				
LTR	DESCRIPTION	DATE	APPROVED	
A	INITIAL RELEASE SEE DO 5697	C.P. 02-07-05	L.F.	
B	SEE DO 5833	C.P. 08-02-05	L.F.	
C	SEE DO 6269	C.P. 11-02-06	L.F.	
D	SEE DO 6714	C.P. 07-24-08	L.F.	
E	SEE DO 6724	C.P. 08-06-08	L.F.	
F	SEE DO 6798	C.P. 01-09-09	L.F.	
G	SEE DO 6824	C.P. 02-19-09	L.F.	
H	SEE DO 7128	C.P. 07-27-11	I.M.	
J	SEE DO 7150	C.P. 09-30-11	I.M.	

ORDERING NOMENCLATURE :

CA-07 ESAPR - X - 0 - X - X

NO. OF POSITION \_\_\_\_\_

EXTERNAL SATA, PLUG, RIGHT ANGLE \_\_\_\_\_

PLATING \_\_\_\_\_

A = CONTACT AREA: GOLD FLASH  
D = CONTACT AREA: 0.000127 [0.000005] GOLD  
C = CONTACT AREA: 0.000381 [0.000015] GOLD  
F = CONTACT AREA: 0.000762 [0.000030] GOLD  
ALL: \_\_\_\_\_

TAIL AREA : 0.00254 [0.000100] TIN MIN.  
UNDERPLATE : 0.00191 [0.000075] NICKEL ALL OVER

MOUNTING \_\_\_\_\_

0 = SMT \_\_\_\_\_

PIN OUT & PACKAGING \_\_\_\_\_

BLANK = STANDARD WITH TRAY  
1 = REVERSED PIN OUT WITH TRAY  
2 = STANDARD WITH TAPE & REEL  
3 = REVERSED WITH TAPE & REEL

SHELL PLATING ③ \_\_\_\_\_

BLANK = PEG AREA: W/O GOLD FLASH  
G = PEG AREA: GOLD FLASH  
UNDERPLATE : .00191 [0.000075] NICKEL ALL OVER

5. MEETS THE REQUIREMENTS OF DIRECTIVE 2002/95/EC OF THE EU PARLIAMENT AND OF THE COUNCIL OF 27-01-2003 ON RESTRICTION OF USE OF CERTAIN HAZARDOUS SUBSTANCES IN ELECTRICAL AND ELECTRONIC EQUIPMENT. (ROHS)

4. PACKAGING METHOD : SEE ORDERING NOMENCLATURE

3. SPECIFICATIONS:

CURRENT RATING: 1.5 AMP (PER CIRCUIT) MIN.  
CONTACT RESISTANCE (INITIAL): 30 MILLIOHMS MAX  
DIELECTRIC WITHSTANDING VOLTAGE: 500 VAC 1 MIN.  
INSULATION RESISTANCE: 1000 MEGOHMS MIN.

2. MATERIALS:

CONTACT : BRASS , C2680-H  
INSULATOR : LCP 6130L, UL94V-0  
- STANDARD PIN OUT COLOR: BLACK  
- REVERSED PIN OUT COLOR: WHITE

SHELL : PHOSPHOR BRONZE, C5191-H  
SHELL FINISH : SEE ORDERING NOMENCLATURE

1. INTERPRET DIMENSIONS AND TOLERANCES PER ASME Y14.5M-1994

NOTES: UNLESS OTHERWISE SPECIFIED

DIMENSIONS ARE IN MM  
TOLERANCES ARE :

DECIMALS	ANGLES
.X ± .25	± 3°
XX ± .13	


DIMENSIONS IN BRACKETS  
[XXX] ARE INCHES

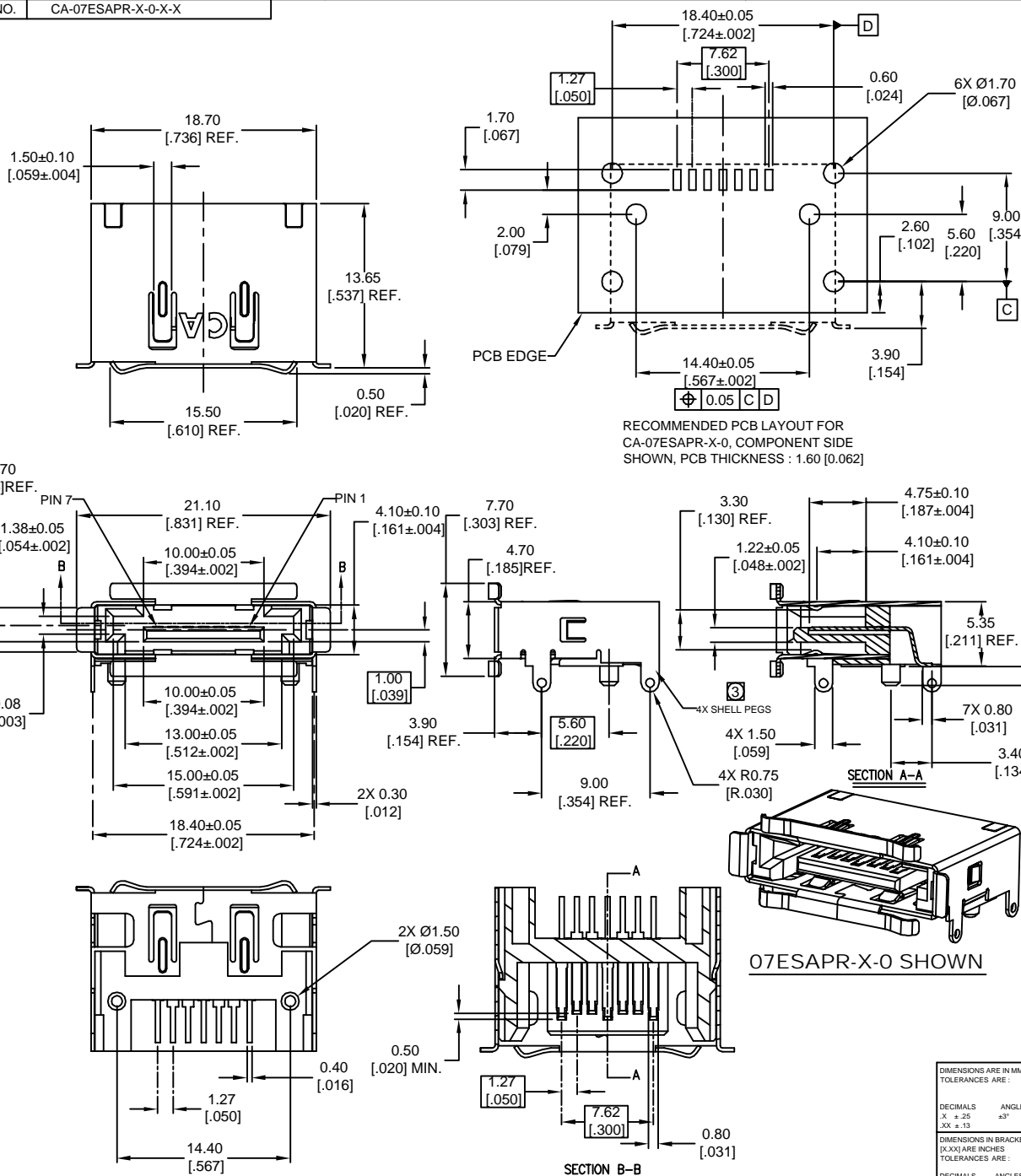
TOLERANCES ARE :

DECIMALS	ANGLES
.XXX ± .010	± 3°
.XXX ± .005	

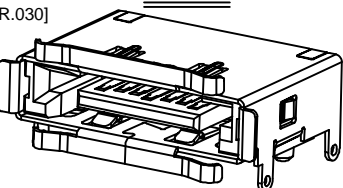
DO NOT SCALE DRAWING

APPROVALS	DATE
DRAWN CUONG P.	2-7-05
CHECKED LEROY FONG	2-7-05

 <b>CIRCUIT ASSEMBLY CORP.</b> 18 THOMAS ST., IRVINE, CALIFORNIA 92618-2777			
<b>CONN. ASSY - ESATA SERIES</b> EXTERNAL SATA 7 POS. PLUG, R/A, SMT "ROHS COMPLIANT"			
SIZE <b>C</b>	CODE IDENT NO. 52072	DRAWING NO. <b>620473</b>	REV. <b>J</b>
SCALE: 4 : 1		SHEET 1 OF 2	



RECOMMENDED PCB LAYOUT FOR  
CA-07ESAPR-X-0, COMPONENT SIDE  
SHOWN, PCB THICKNESS : 1.60 [0.062]



07ESAPR-X-0 SHOWN

4

3

2

1

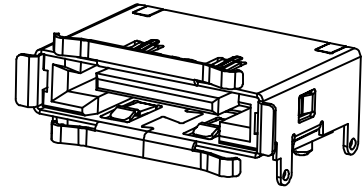
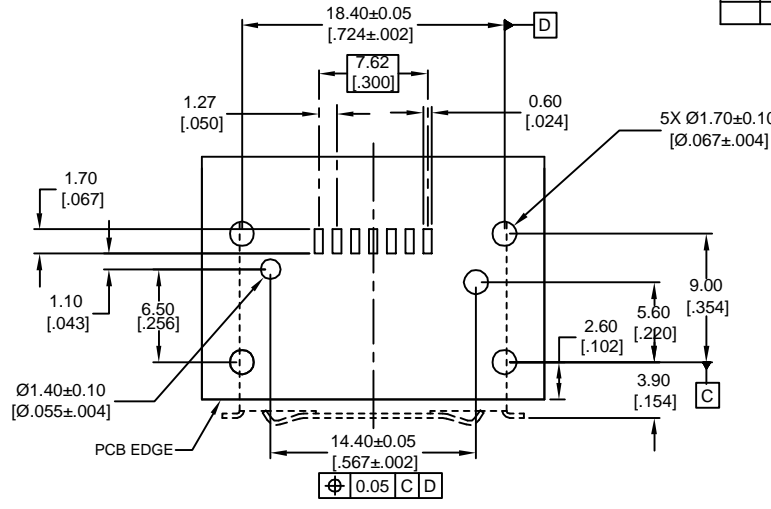
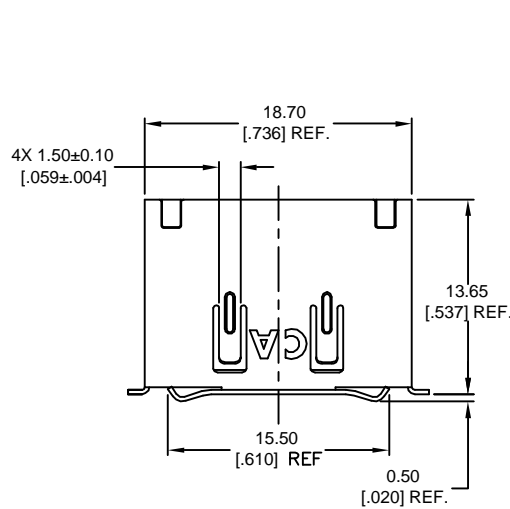
4

3

2

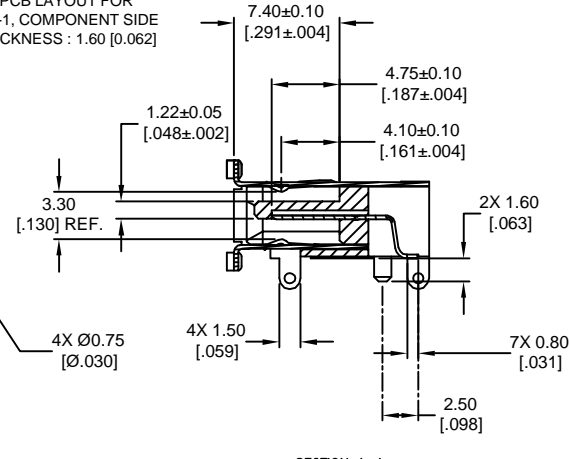
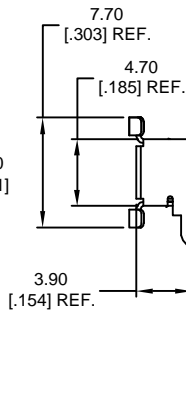
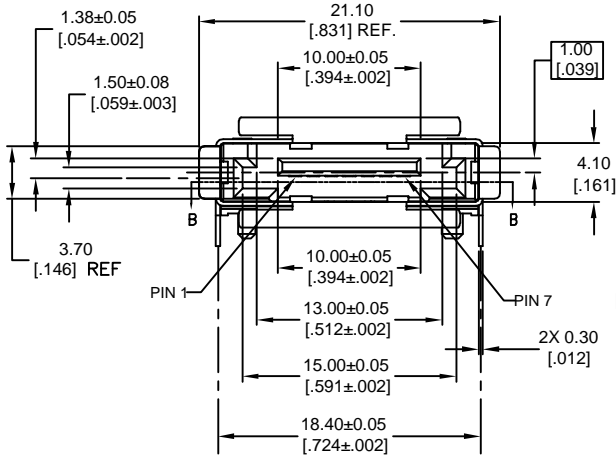
1

REVISIONS			
LTR	DESCRIPTION	DATE	APPROVED
	SEE SHEET 1 OF 2		

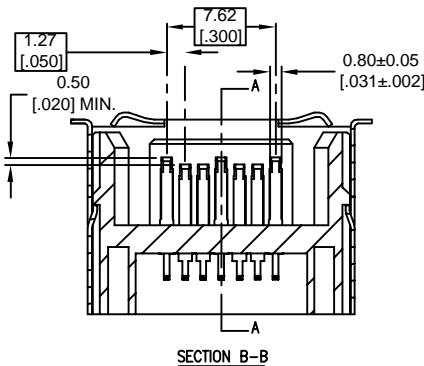
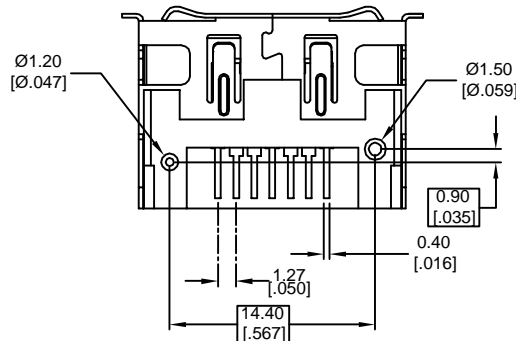


07ESAPR-X-0-1 SHOWN

RECOMMENDED PCB LAYOUT FOR CA-07ESAPR-X-0-1, COMPONENT SIDE SHOWN, PCB THICKNESS : 1.60 [0.062]



SECTION A-A



SECTION B-B

DIMENSIONS ARE IN MM  
TOLERANCES ARE:

DECIMALS	ANGLES
.X ±.25	±3°
.XX ±.13	

DIMENSIONS IN BRACKETS  
(XXX) ARE INCHES  
TOLERANCES ARE:

DECIMALS	ANGLES
.XXX ±.005	±3°
.XXX ±.005	

DO NOT SCALE DRAWING

APPROVALS	DATE
DRAWN CUONG P.	2-7-05
CHECKED LEROY FONG	2-7-05

<b>CIRCUIT ASSEMBLY CORP.</b> 18 THOMAS ST., IRVINE, CALIFORNIA 92618-2177	<b>CONN. ASSY - ESATA SERIES</b> <b>EXTERNAL SATA 7 POS. PLUG, R/A, SMT</b> <b>"ROHS COMPLIANT"</b>	
	SIZE C CODE IDENT NO. 52072 SCALE: 4:1	DRAWING NO. 620473 SHEET 2 OF 2

4

3

2

1