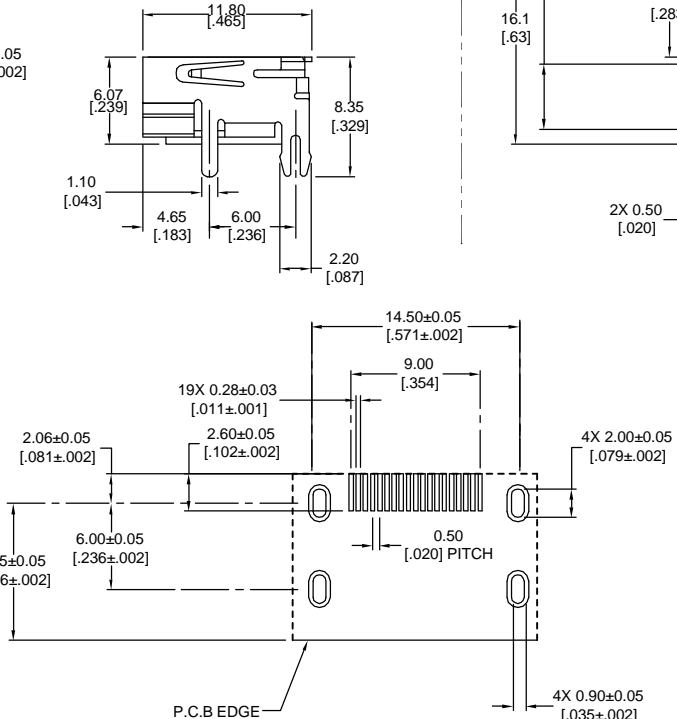
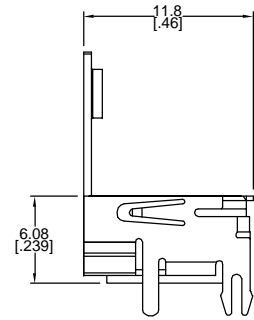
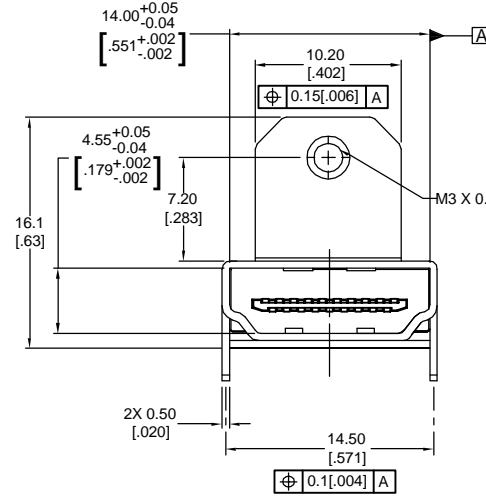
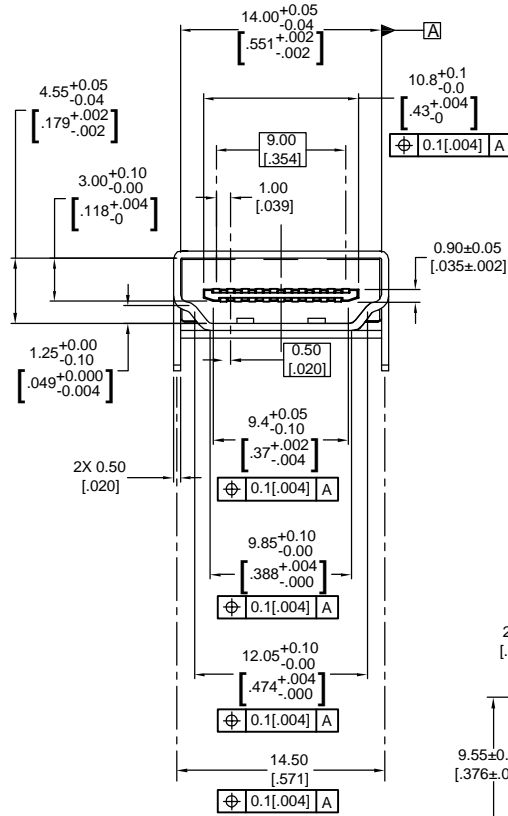
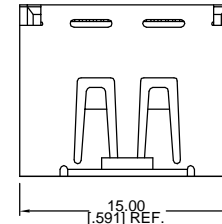
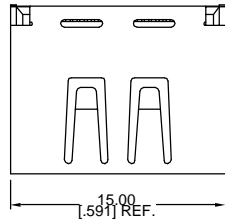


PART NO. CA-620467-X

REVISIONS			
LTR	DESCRIPTION	DATE	APPROVED
A	INITIAL RELEASE SEE DO 5527	C.P. 07-07-04	A.J.
B	SEE DO 5591	C.P. 09-14-04	A.J.

WITHOUT MOUNTING FLANGE

WITH MOUNTING FLANGE



RECOMMENDED P.C.B PATTERN LAYOUT  
COMPONENT SIDE SHOWN  
(BOARD THICKNESS : 1.6mm[.062])

2. ELECTRICAL CHARACTERISTICS :  
INSULATION RESISTANCE : 100 M Ω MIN.  
DIELECTRIC WITHSTANDING VOLTAGE : 500VAC  
CONTACT RESISTANCE : 30 m Ω MAX.

1. MATERIAL :  
INSULATOR : LCP, UL94V-0, COLOR BLACK  
SHELL : PHOSPHOR BRONZE, TIN PLATING  
CONTACT : PHOSPHOR BRONZE  
PLATING :  
CONTACT AREA : .00015" \* PIN. GOLD OVER NICKEL  
TAIL AREA : .000120" \* MIN. TIN OVER NICKEL  
NOTES : UNLESS OTHERWISE SPECIFIED

CA-620467 - X

SHELL TYPE  
BLANK = WITHOUT MOUNTING FLANGE  
M = WITH MOUNTING FLANGE

DIMENSIONS ARE IN MM TOLERANCES ARE :	APPROVALS	DATE
DECIMALS .015 XX ± .25	DRAWN CUONG P.	7-07-04
ANGLES 30°	CHECKED A. JOCHEN	7-07-04
DIMENSIONS IN BRACKETS [XXX] ARE INCHES TOLERANCES ARE :	THE INFORMATION AND DESIGN DISCLOSED HEREIN WAS ORIGINATED BY AND IS THE PROPERTY OF CIRCUIT ASSEMBLY CORPORATION. CIRCUIT ASSEMBLY CORPORATION RESERVES ALL PATENT, PROPRIETARY, DESIGN, MANUFACTURING, REPRODUCTION, USE AND SALES RIGHTS THEREIN, AND TO ANY ARTICLE DISCLOSED HEREIN EXCEPT TO THE EXTENT RIGHTS ARE EXPRESSLY GRANTED TO OTHERS. THE FOREGOING DOES NOT APPLY TO VENDOR PROPRIETARY RIGHTS.	
DECIMALS .015 XXX ± .010	DO NOT SCALE DRAWING	

CIRCUIT ASSEMBLY CORP. 18 THOMAS ST., IRVINE, CALIFORNIA 92618-2777			
CONNECTOR ASSEMBLY - HDMI SERIES			
19 POS., RECEPTACLE, SMT & FLANGE			
SIZE C	CODE IDENT NO. 52072	DRAWING NO. <b>620467</b>	REV. <b>B</b>
SCALE: 4:1		SHEET 1 OF 1	