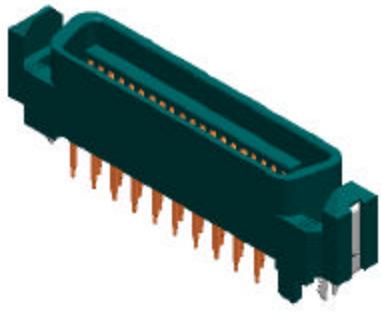


PART NO. CA-XXSCA2P-X-11

REVISIONS				
LTR	DESCRIPTION	DATE	APPROVED	
A	INITIAL RELEASE SEE DO 5232	AJ 07-28-03	L.F.	
B	SEE DO 5346	CP 12-09-03	A.J.	
C	SEE DO 5682	CP 01-17-05	A.J.	
D	SEE DO 5784	CP 06-01-05	L.F.	
E	SEE DO 6478	CP 07-10-07	L.F.	



CA-XXSCA2P-X-11

NO. OF PIN POSITIONS: 40, 80

SINGLE CONNECTOR ATTACHMENT PLUG:

PLATING:

CONTACT:
 F = MATING AREA : .000030 [.00076] GOLD
 C = MATING AREA : .000015 [.00038] GOLD
 ALL:
 TAIL AREA : .000150 [.00381] TIN
 UNDERPLATE : .000050 [.00127] NICKEL

CLIP: .000150 [.00381] TIN OVER
 .000050 [.00127] NICKEL

TAIL CONFIGURATION:
 SOLDER .13 [3.3] LONG TAIL

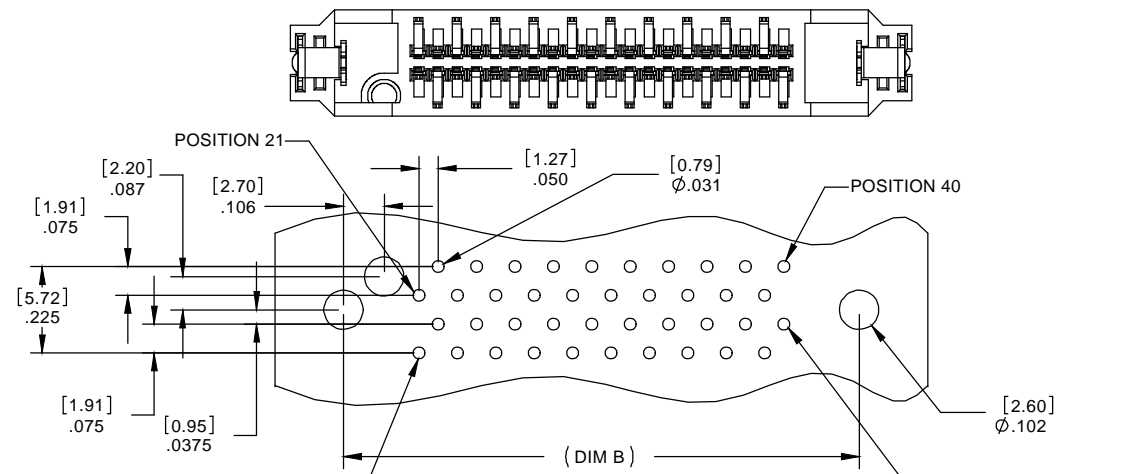
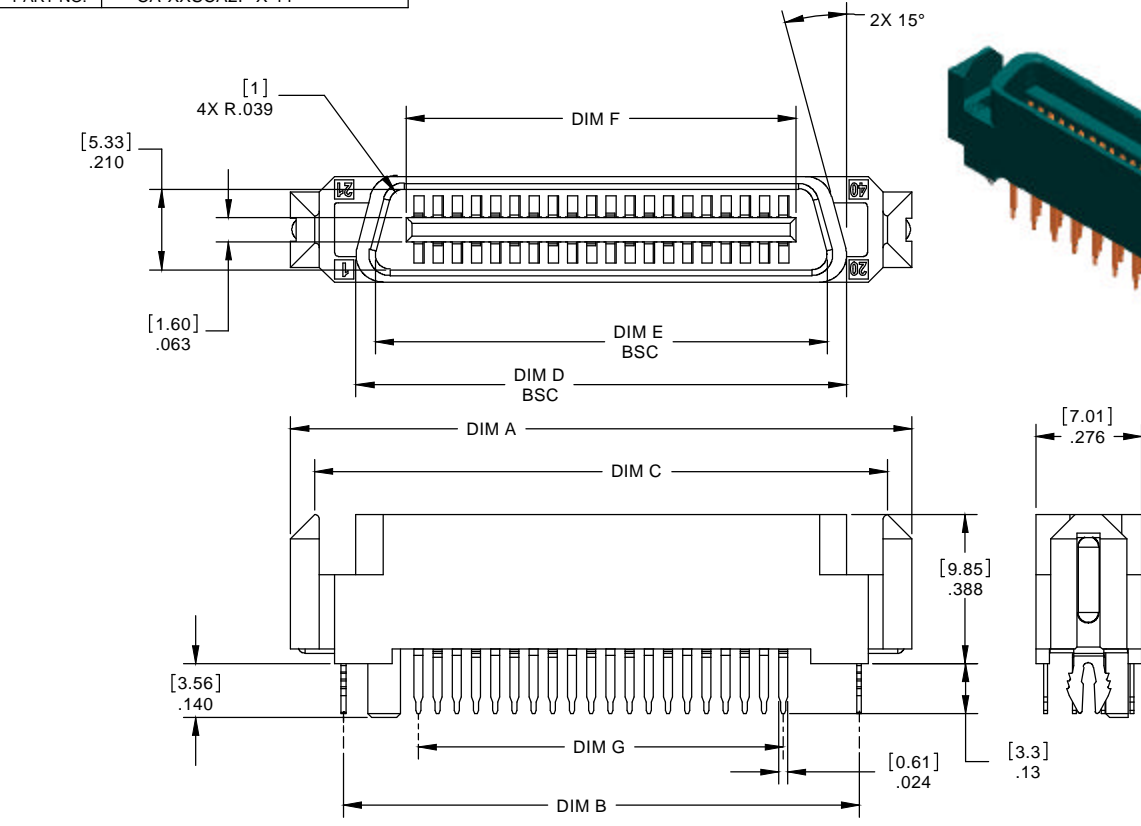
SPECIFICATIONS:
 CONFORMS TO SFF-8451 SPECIFICATIONS FOR SCA-2 UNSHIELDED CONNECTORS

- MECHANICAL**
- MATING FORCE : 90g MAX. PER CONTACT
 - UNMATING FORCE : 15g MIN. PER CONTACT
 - DURABILITY : 500 CYCLES MINIMUM
 - CONTACT MATERIAL : PHOSPHOR BRONZE
 - INSULATOR MATERIAL : HIGH TEMPERATURE THERMOPLASTIC
 - CLIP MATERIAL : BRASS
 - CONTACT PLATING : MATING AREA : 0.00076 [30µin] GOLD
 TAIL AREA : 0.0038 [150µin] TIN
 UNDERPLATE : 0.0013 [50µin] NICKEL
 - CLIP PLATING : 0.0038 [150µin] TIN OVER
 0.0013 [50µin] NICKEL

- ENVIRONMENTAL**
- TEMPERATURE RANGE : -55°C TO 105°C
- ELECTRICAL**
- VOLTAGE RATING : 250V AC
 - DIELECTRIC WITHSTANDING VOLTAGE : 500V DC FOR 1 MIN.
 - INSULATOR RESISTANCE : >1000 MEGOHMS @ 250 Vrms
 - CONTACT RESISTANCE : <35 MILLIOHMS
 - CURRENT RATING : 1 AMP

1. MEETS THE REQUIREMENTS OF DIRECTIVE 2002/95/EC OF THE EUROPEAN PARLIAMENT AND OF THE COUNCIL OF 27 JANUARY 2003 ON THE RESTRICTION OF THE USE OF CERTAIN HAZARDOUS SUBSTANCES IN ELECTRICAL AND ELECTRONIC EQUIPMENT. (RoHS)

NOTES : UNLESS OTHERWISE SPECIFIED



TABULATION

NO. OF POSITIONS	A		B		C		D		E		F		G	
	in.	mm.	in.	mm.	in.	mm.	in.	mm.	in.	mm.	in.	mm.	in.	mm.
40	1.618	41.10	1.343	34.11	1.492	37.90	1.278	32.46	1.176	29.87	1.015	25.78	0.950	24.13
80	2.618	66.50	2.343	59.51	2.492	63.30	2.278	57.86	2.176	55.27	2.015	51.18	1.950	49.53

DIMENSIONS ARE IN INCHES TOLERANCES ARE:		APPROVALS		DATE		CA CIRCUIT ASSEMBLY CORP.	
DECIMALS .XX ±.01 ±.005		DRAWN A. JOCHEN		7-28-03		18 THOMAS ST., IRVINE, CALIFORNIA 92618-2777	
ANGLES ±3°		CHECKED L. FONG		7-28-03		CONNECTOR ASSEMBLY - SCA2 SERIES	
DIMENSIONS IN BRACKETS [X.XX] ARE IN MILLIMETERS TOLERANCES ARE:		SOLDER TAIL, PLUG "ROHS COMPLIANT"					
DECIMALS .X ±.25 ±.13		THE INFORMATION AND DESIGN DISCLOSED HEREIN WAS ORIGINATED BY AND IS THE PROPERTY OF CIRCUIT ASSEMBLY CORPORATION. CIRCUIT ASSEMBLY CORPORATION RESERVES ALL PATENT, PROPRIETARY, DESIGN, MANUFACTURING, REPRODUCTION, USE AND SALES RIGHTS HERETO, AND TO ANY APPLICABLE DISCLOSED HEREIN EXCEPT TO THE EXTENT RIGHTS ARE EXPRESSLY GRANTED TO OTHERS. THE FOREGOING DOES NOT APPLY TO VENDOR PROPRIETARY RIGHTS.		SIZE C		CODE IDENT NO. 52072	
DO NOT SCALE DRAWING		SCALE: 4:1		DRAWING NO. 620460		REV. E	
				SHEET 1 OF 1			