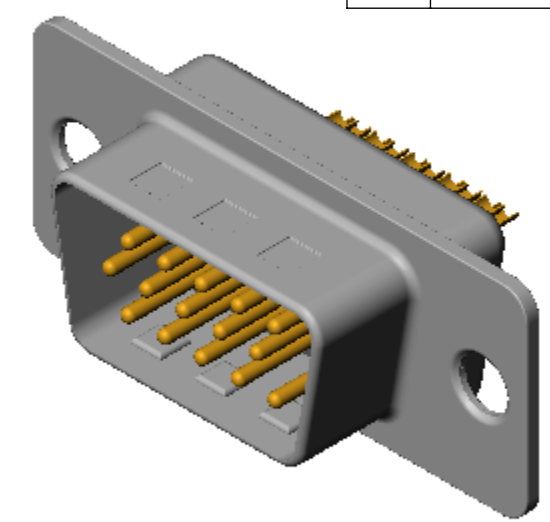
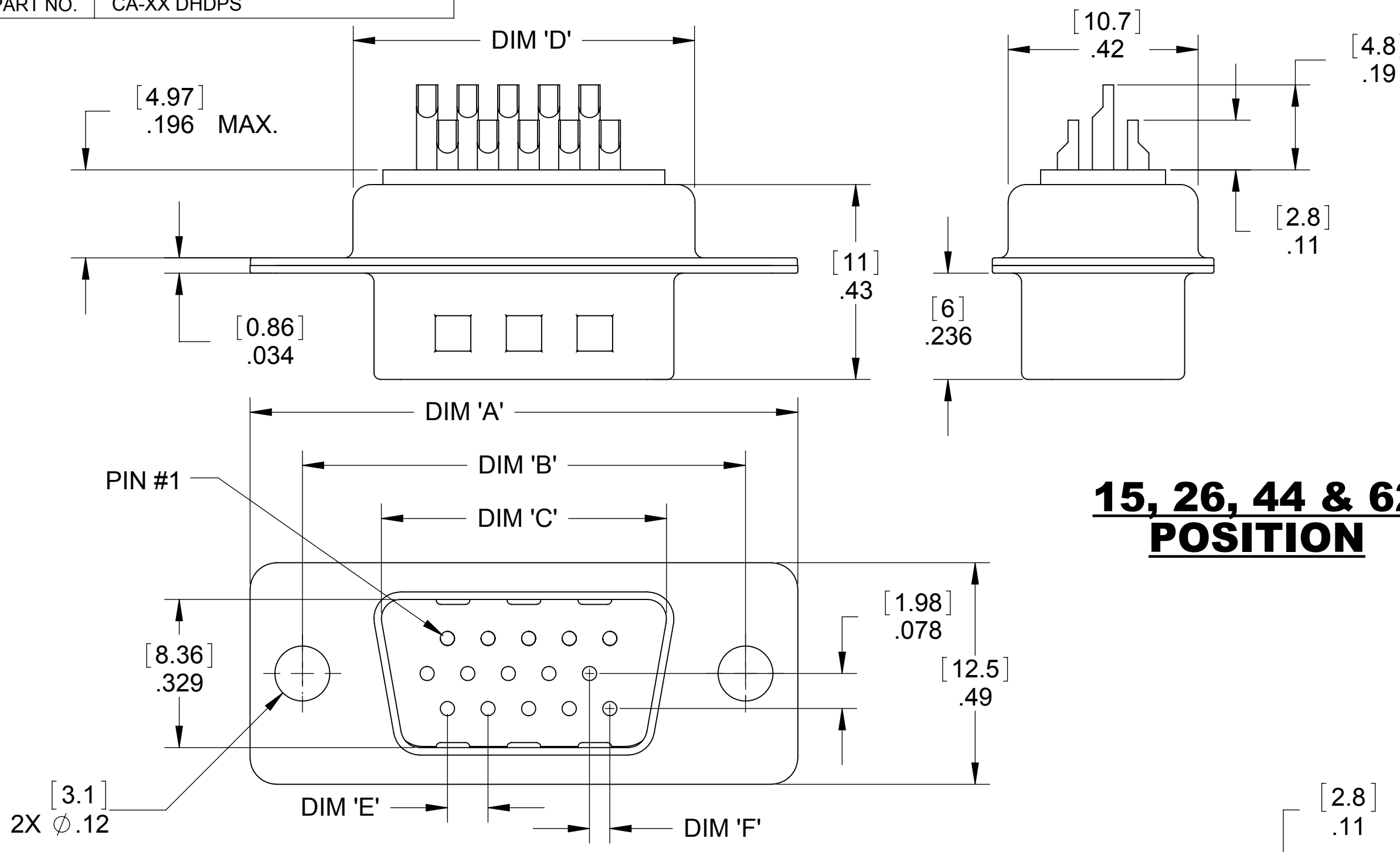


PART NO. CA-XX DHDPS

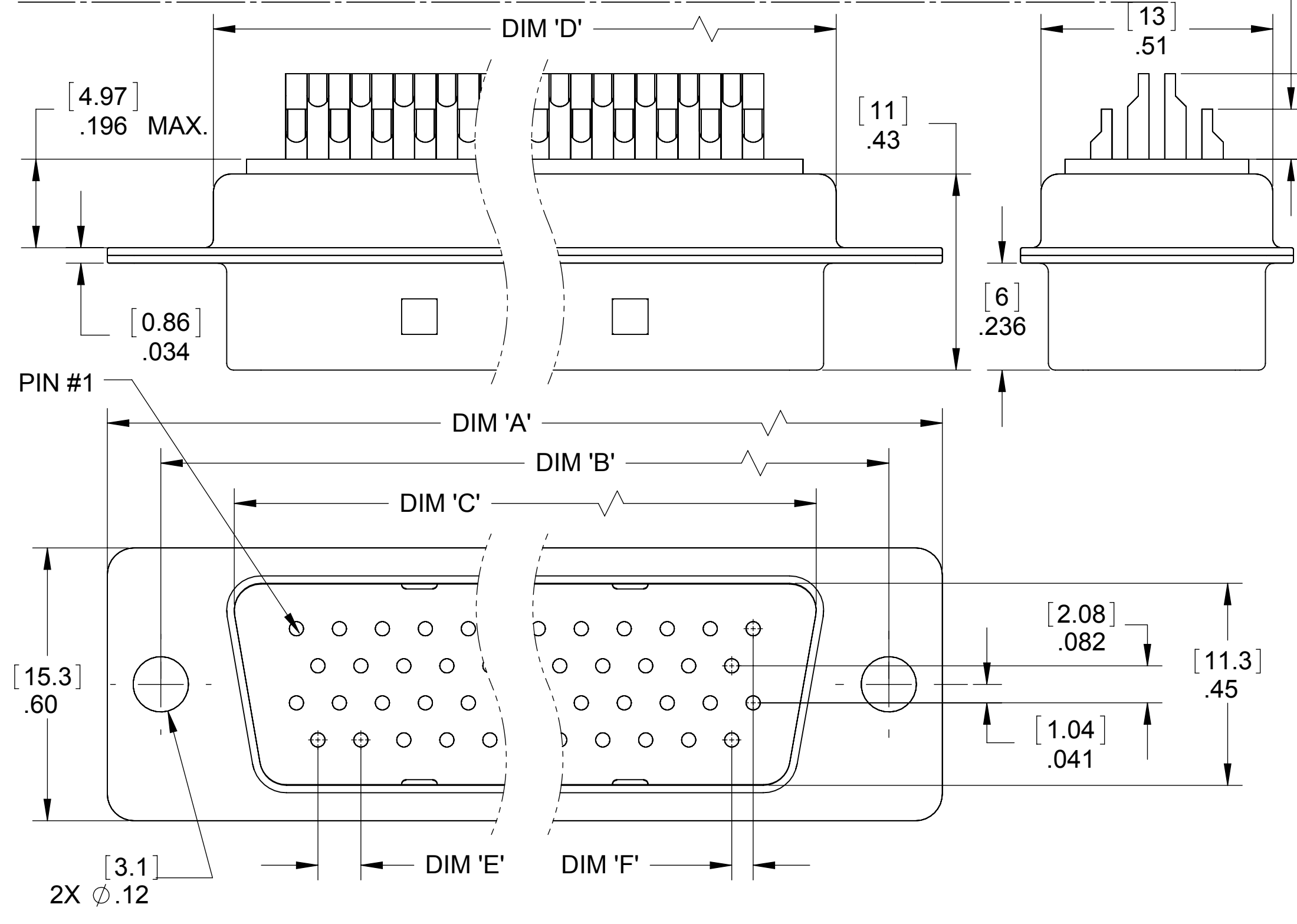
REVISIONS				
LTR	DESCRIPTION	DATE	APPROVED	
A	INITIAL RELEASE SEE DO 3962	C.L.W.	4-11-00	A.J.
B	SEE DO 5054	C.P.	12-20-02	A.J.
C	SEE DO 6133	C.P.	06-29-06	A.J.
D	SEE DO 7524	C.P.	05-28-19	T.L.



15, 26, 44 & 62 POSITION

CA-XX DHDPS

NUMBER OF CONTACT POS
D-SUB, HIGH DENSITY PLUG SOLDER



2. SPECIFICATIONS

ENVIRONMENTAL

TEMPERATURE RANGE: -50°C TO +105°C

MECHANICAL

INSULATOR MATERIAL: GLASS FILLED POLYESTER, BLACK, UL94 V-0

SHELL MATERIAL: STEEL, NICKEL PLATED

CONTACT MATERIAL: BRASS

CONTACT PLATING: GOLD FLASH, NICKEL UNDERPLATE

ELECTRICAL

CURRENT RATING: 5 AMP

1 MEETS THE REQUIREMENTS OF THE EUROPEAN PARLIAMENT AND THE RESTRICTION OF THE USE OF CERTAIN HAZARDOUS SUBSTANCES IN ELECTRICAL AND ELECTRONIC EQUIPMENT (RoHS).

NOTES: UNLESS OTHERWISE SPECIFIED

TABULATION:

POSITION	DIM A		DIM B		DIM C		DIM D		DIM E		DIM F	
	IN	MM	IN	MM	IN	MM	IN	MM	IN	MM	IN	MM
15	1.21	30.9	.98	25.0	.666	16.92	.76	19.3	.090	2.29	.0451	1.145
26	1.55	39.3	1.31	33.3	.994	25.25	1.09	27.7	.090	2.29	.0451	1.145
44	2.09	53.1	1.85	47.1	1.534	38.96	1.62	41.2	.090	2.29	.0451	1.145
62	2.73	69.5	2.50	63.5	2.182	55.42	2.26	57.5	.095	2.41	.0474	1.205
78	2.64	67.0	2.41	61.1	2.079	52.81	2.17	55.1	.095	2.41	.0474	1.205

DIMENSIONS ARE IN INCHES TOLERANCES ARE:		APPROVALS	DATE
DECIMALS .XX ±.010 .XXX ±.005	ANGLES ±3°	DRAWN C.L.W.	4-11-00
DIMENSIONS IN BRACKETS [X.XX] ARE IN MILLIMETERS TOLERANCES ARE:		CHECKED A. JOCHEN	4-11-00
DECIMALS .X ±.25 .XX ±.13	ANGLES ±3°	THE INFORMATION AND DESIGN DISCLOSED HEREIN WAS ORIGINATED BY AND IS THE PROPERTY OF CIRCUIT ASSEMBLY CORPORATION. CIRCUIT ASSEMBLY CORPORATION RESERVES ALL PATENT, PROPRIETARY, DESIGN, MANUFACTURING, REPRODUCTION, USE AND SALES RIGHTS THERETO, AND TO ANY ARTICLE DISCLOSED HEREIN EXCEPT TO THE EXTENT RIGHTS ARE EXPRESSLY GRANTED TO OTHERS. THE FOREGOING DOES NOT APPLY TO VENDOR PROPRIETARY RIGHTS.	
DO NOT SCALE DRAWING			

CIRCUIT ASSEMBLY CORP.
3A VANDERBILT, IRVINE, CALIFORNIA 92618-2030

CONNECTOR ASSEMBLY DHDPS SERIES "RoHS"

SIZE C	CODE IDENT NO. 52072	DRAWING NO. 620414	REV. D
------------------	-------------------------	------------------------------	------------------

SCALE: 4:1 SHEET 1 OF 1