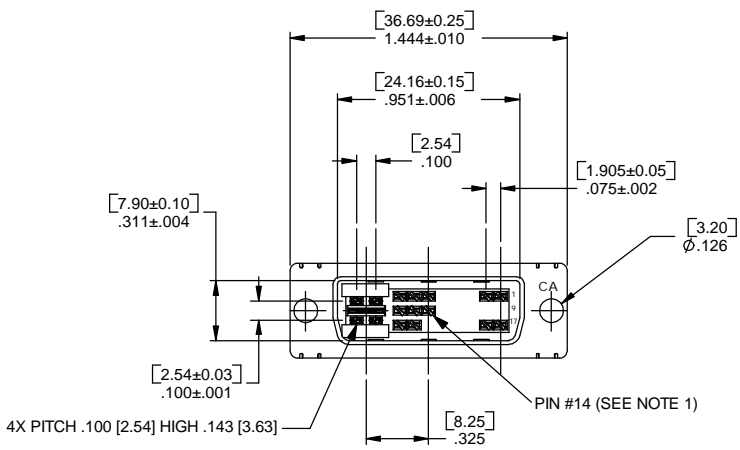


PART NO. CA-17DVI PA-X

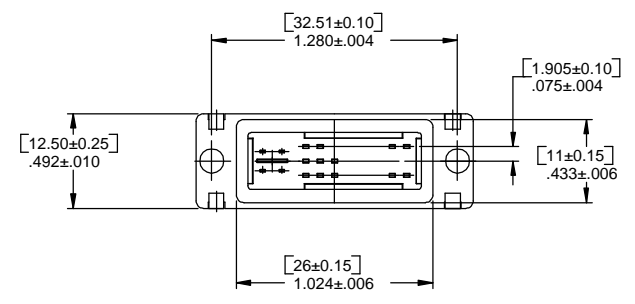
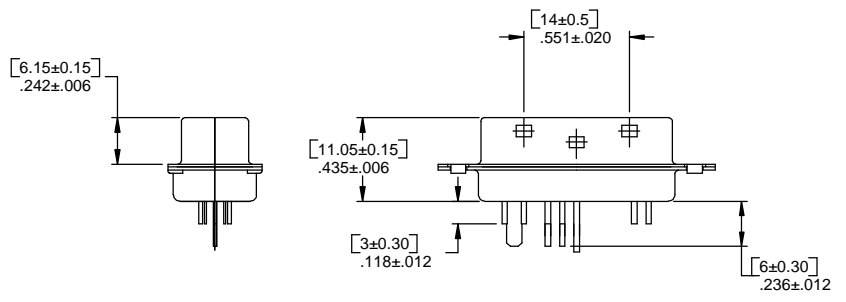
REVISIONS				
LTR	DESCRIPTION	DATE	APPROVED	
A	INITIAL RELEASE SEE DO 3897	AJ 02-25-00	A.J.	
B	SEE DO 3902	CW 02-29-00	A.J.	
C	SEE DO 3990	AJ 04-19-00	B.W.	



CA - 17 DVI P A - X

NO OF PIN POSITIONS _____
 DIGITAL VISUAL INTERFACE _____
 PLUG _____
 PRODUCT TYPE: ANALOG _____
 PLATING: _____

- A = GOLD FLASH OVER NICKEL
- C = .000015 [.00038] GOLD OVER NICKEL
- F = .000030 [.00076] GOLD OVER NICKEL



NOTES:

- CONTACT HEIGHT FOR PIN# 14 IS .185 [4.70]
BALANCE OF CONTACTS .215 [5.46]
- FOR SPECIFICATION AND PERFORMANCE CHARACTERISTICS SEE CA DWG 100252
- ENVIRONMENTAL: TEMPERATURE RANGE -20°C TO +85°C
- ELECTRICAL:
 - RATED: 1.5A @ 40V AC (rms)
 - CONTACT RESISTANCE: 20 MILLIOHMS MAXIMUM
 - INSULATION RESISTANCE: 1000 MEGOHMS MINIMUM
 - DIELECTRIC WITHSTANDING VOLTAGE: 500V AC (rms)
- MECHANICAL:
 - MATING FORCE: 10 LB. (4.5kg) MAXIMUM
 - UNMATING FORCE: 2.2 LB. (1 kg) MINIMUM, 8.8LB. (4 kg) MAXIMUM
- MATERIAL:
 - HOUSING: GLASS FILLED THERMOPLASTIC, BLACK, UL 94V-0
 - CONTACT: BRASS
 - SHELL: STEEL, TIN OVER NICKEL PLATED

DIMENSIONS ARE IN INCHES TOLERANCES ARE:		APPROVALS	DATE
DECIMALS	ANGLES	DRAWN A. JOCHEN	2-25-00
.XX ±.010	±3°	CHECKED A. JOCHEN	2-25-00
.XXX ±.005			
DIMENSIONS IN BRACKETS [X.XX] ARE IN MILLIMETERS TOLERANCES ARE:		THE INFORMATION AND DESIGN DISCLOSED HEREIN WAS ORIGINATED BY AND IS THE PROPERTY OF CIRCUIT ASSEMBLY CORPORATION. CIRCUIT ASSEMBLY CORPORATION RESERVES ALL PATENT, PROPRIETARY, DESIGN, MANUFACTURING, REPRODUCTION, USE AND SALES RIGHTS THERE TO, AND TO ANY ARTICLES DISCLOSED HEREIN EXCEPT TO THE EXTENT RIGHTS ARE EXPRESSLY GRANTED TO OTHERS. THE FOREGOING DOES NOT APPLY TO VENDOR PROPRIETARY RIGHTS.	
DECIMALS	ANGLES		
.X ±.25	±3°		
.XX ±.13			
DO NOT SCALE DRAWING			

CA CIRCUIT ASSEMBLY CORP. 18 THOMAS ST., IRVINE, CALIFORNIA 92618-2777			
MALE DVI CONNECTOR ANALOG 12 + 5			
SIZE	CODE IDENT NO.	DRAWING NO.	REV.
C	52072	620404	C
SCALE: 2:1		SHEET 1 OF 1	