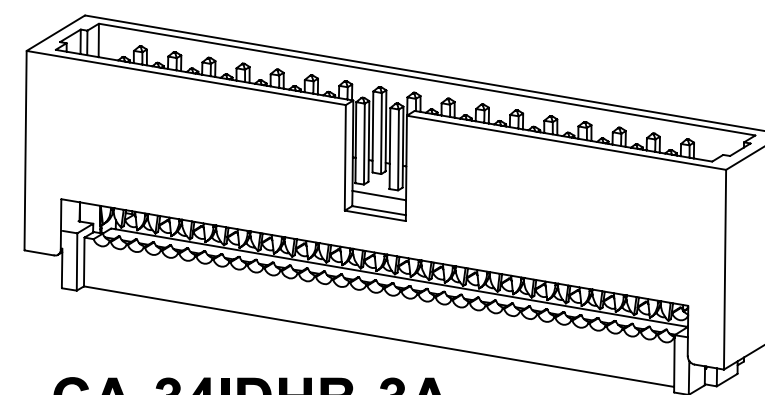
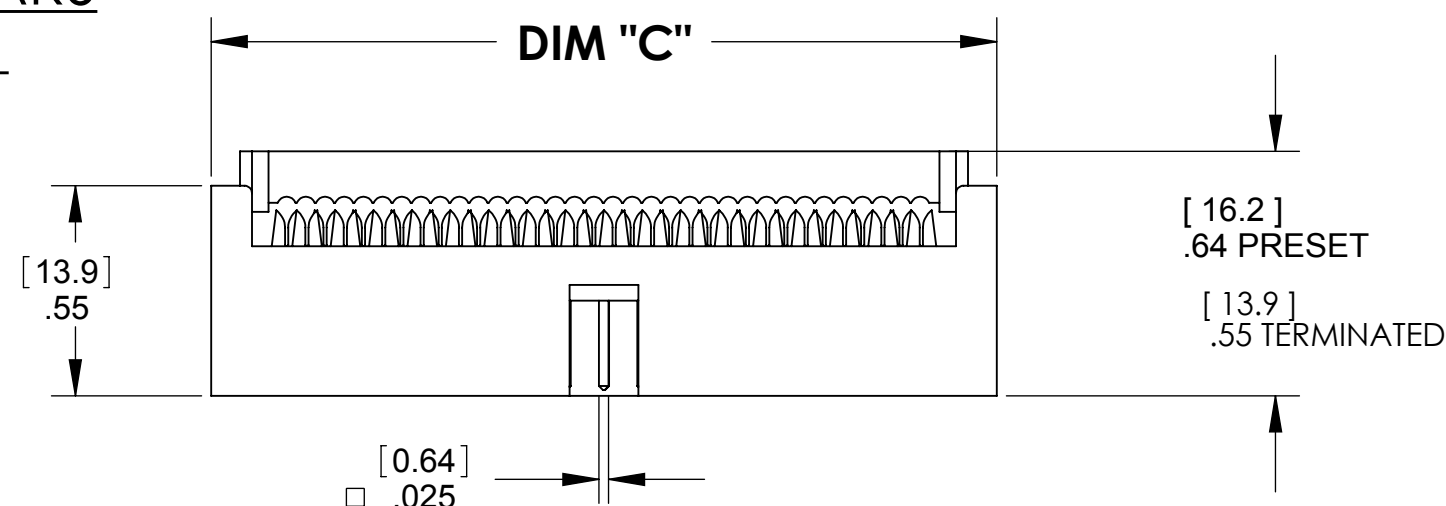
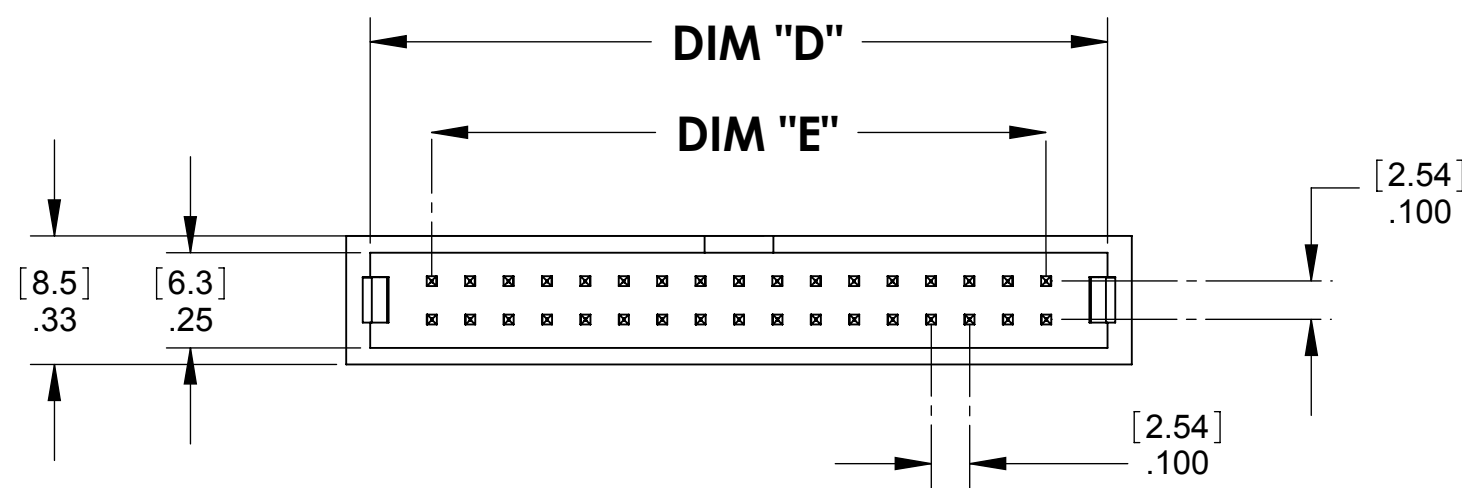


LTR	DESCRIPTION	DATE	APPROVED
A	INITIAL RELEASE SEE DO 3893	JL 3-2-00	A.J.
B	SEE DO 4010	CW 5-12-00	A.J.
C	SEE DO 6850	CP 4-09-09	A.J.
D	SEE DO 7529	CP 6-19-19	T.L.

WITHOUT EARS
-3 SHOWN



CA-34IDHB-3A



ORDERING NOMENCLATURE:

CA-XX IDHB-X A-XX

NUMBER OF CONTACT POS

INSULATION DISPLACEMENT BOX HEADER

MOUNTING OPTIONS

- 2 = WITH MOUNTING EARS
- 3 = WITHOUT MOUNTING EARS

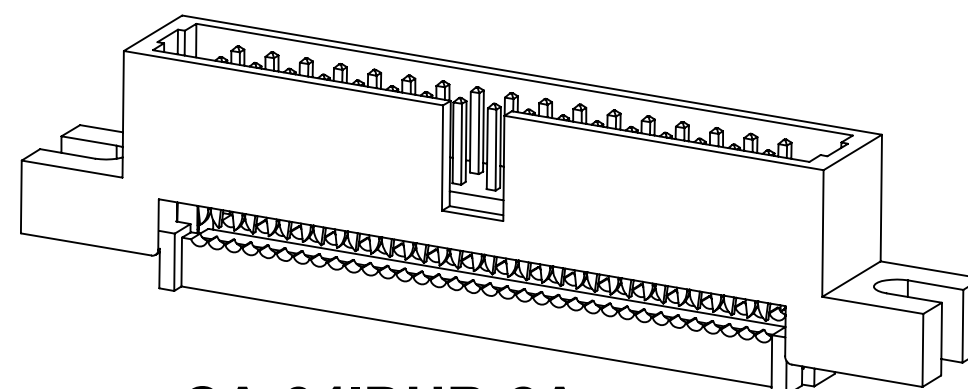
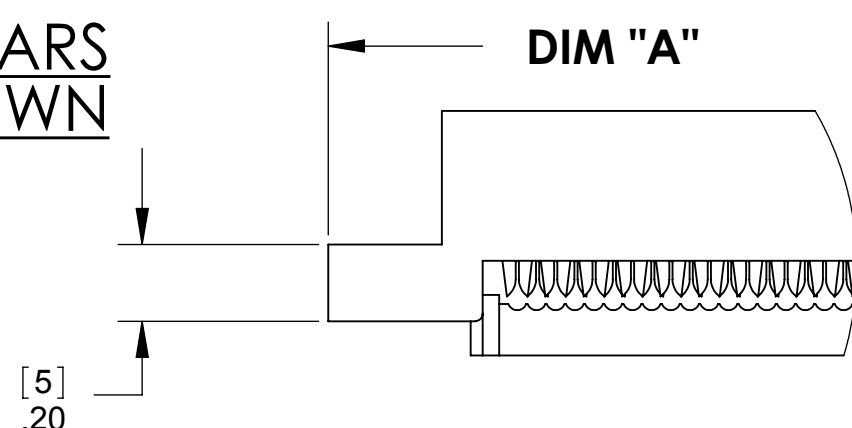
PLATING

A = GOLD FLASH

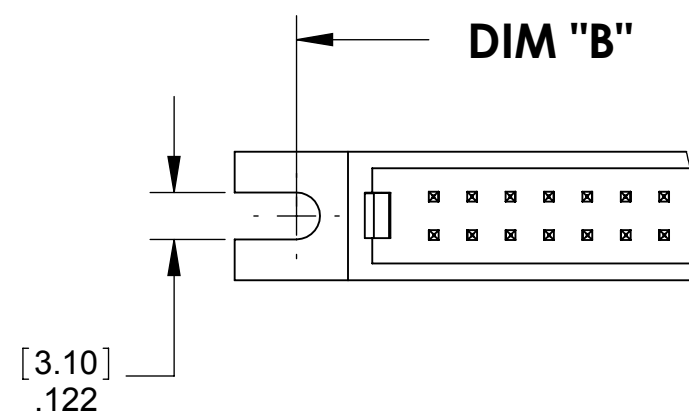
INSULATOR COLOR

- BLANK = GRAY
- B K = BLACK

WITH EARS
-2 SHOWN



CA-34IDHB-2A



TABULATION:

POSITION	A		B		C		D		E	
	IN	MM	IN	MM	IN	MM	IN	MM	IN	MM
10	1.45	36.8	1.20	30.5	0.84	21.3	0.715	18.16	0.400	10.16
14	1.65	41.9	1.40	35.6	1.04	26.4	0.915	23.24	0.600	15.24
16	1.75	44.5	1.50	38.1	1.14	29.0	1.015	25.78	0.700	17.78
20	1.95	49.5	1.70	43.2	1.34	34.0	1.215	30.86	0.900	22.86
24	2.15	54.6	1.90	48.3	1.54	39.1	1.415	35.94	1.100	27.94
26	2.25	57.2	2.00	50.8	1.64	41.7	1.515	38.50	1.200	30.48
30	2.45	62.2	2.20	55.9	1.84	46.7	1.715	43.62	1.400	35.56
34	2.65	67.3	2.40	61.0	2.04	51.8	1.915	48.60	1.600	40.64
40	2.95	74.9	2.70	68.6	2.34	59.4	2.215	56.36	1.900	48.26
50	3.45	87.6	3.20	81.3	2.84	72.1	2.715	69.90	2.400	60.96
60	3.95	100.3	3.70	94.0	3.34	84.8	3.215	81.88	2.900	73.66
64	4.15	105.4	3.90	99.1	3.54	89.9	3.415	86.90	3.100	78.74

NOTES: UNLESS OTHERWISE SPECIFIED

1. INSULATOR MATERIAL: GLASS FILLED THERMOPLASTIC UL94V-0, COLOR: SEE ORDERING NOMENCLATURE

CONTACT MATERIAL : COPPER ALLOY (BRASS)

2. CURRENT RATING : 1AMP DC
CONTACT RESISTANCE : 30 MILLIOHMS MAX
INSULATION RESISTANCE : 1000 MEGOHM MIN
DIELECTRIC VOLTAGE : 500V AC FOR ONE MINUTE
OPERATING TEMPERATURE: -40°C TO 105°C

3. RECOMMENDED CABLE: .050 [1.27] PITCH, 28 AWG

4. ADDITIONAL PLATING OPTIONS AVAILABLE

5. MEETS THE REQUIREMENTS OF THE EUROPEAN PARLIAMENT AND THE RESTRICTION OF THE USE OF CERTAIN HAZADOUS SUBSTANCES IN ELECTRICAL AND ELECTRONIC EQUIPMENT. (RoHS)

DIMENSIONS ARE IN INCHES
TOLERANCES ARE:

DECIMALS ANGLES
.XX ±.010 ±3°
.XXX ±.005

DIMENSIONS IN BRACKETS
[X.XX] ARE IN MILLIMETERS
TOLERANCES ARE:

DECIMALS ANGLES
.X ± .25 ±3°
.XX ± .13

DO NOT SCALE DRAWING

APPROVALS DATE

DRAWN C. WILKERSON 3-2-00
CHECKED A. JOCHEN 3-3-00

THE INFORMATION AND DESIGN DISCLOSED HEREIN WAS ORIGINATED BY AND IS THE PROPERTY OF CIRCUIT ASSEMBLY CORPORATION. CIRCUIT ASSEMBLY CORPORATION RESERVES ALL PATENT, PROPRIETARY, DESIGN, MANUFACTURING, REPRODUCTION, USE AND SALES RIGHTS THERETO, AND TO ANY ARTICLE DISCLOSED HEREIN EXCEPT TO THE EXTENT RIGHTS ARE EXPRESSLY GRANTED TO OTHERS. THE FOREGOING DOES NOT APPLY TO VENDOR PROPRIETARY RIGHTS.

CA CIRCUIT ASSEMBLY CORP.
3A VANDERBILT, IRVINE, CALIFORNIA 92618-2030

CONNECTOR ASSEMBLY-IDHB SERIES
CA-XXIDHB-XA-XX

"RoHS"

SIZE CODE IDENT NO. DRAWING NO. REV.
C 52072 **620402** D

SCALE: 2:1 SHEET 1 OF 1