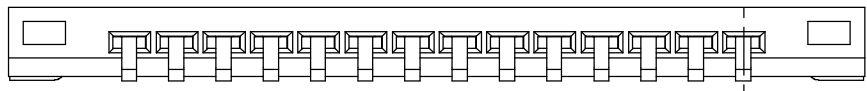
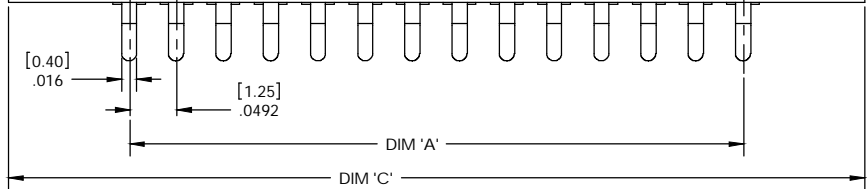
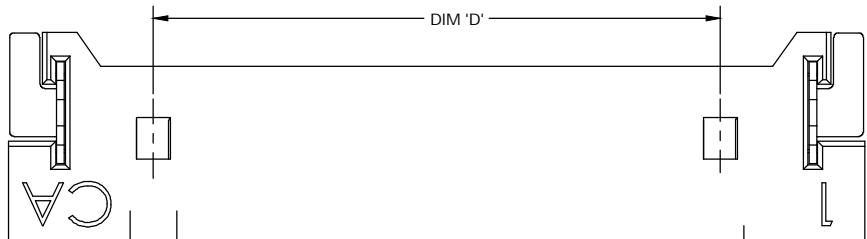
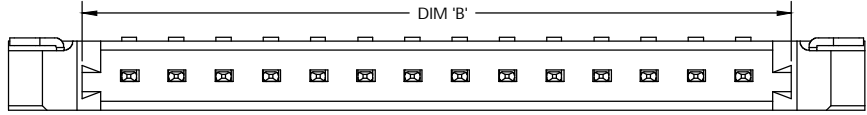


PART NO. CA-XXPCPR-SX

REVISIONS				
LTR	DESCRIPTION	DATE	APPROVED	
H	SEE DO 4755	C.P. 2-5-02	A.J.	
J	SEE DO 4801	C.P. 3-28-02	A.J.	
K	SEE DO 4806	C.P. 3-29-02	A.J.	
L	SEE DO 6647	C.P. 5-19-08	L.F.	
M	SEE DO 6817	C.P. 2-04-09	L.F.	
N	SEE DO 6820	C.P. 2-12-09	L.F.	

REVISIONS				
LTR	DESCRIPTION	DATE	APPROVED	
A	INITIAL RELEASE SEE DO 3846	B.W. 1-20-00	A.J.	
B	SEE DO 3914	B.W. 3-8-00	A.J.	
C	SEE DO 4268	B.W. 12-1-00	L.F.	
D	SEE DO 4396	N.T. 3-16-01	B.W.	
E	SEE DO 4442	N.T. 4-12-01	B.W.	
F	SEE DO 4484	N.T. 5-15-01	B.W.	
G	SEE DO 4597	C.P. 8-23-01	A.J.	



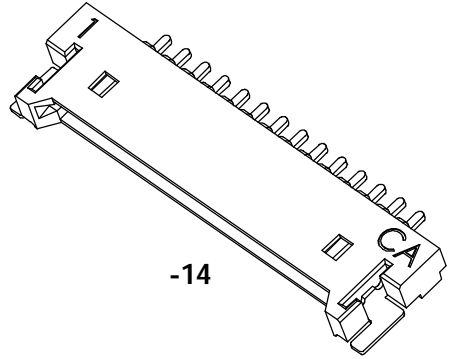
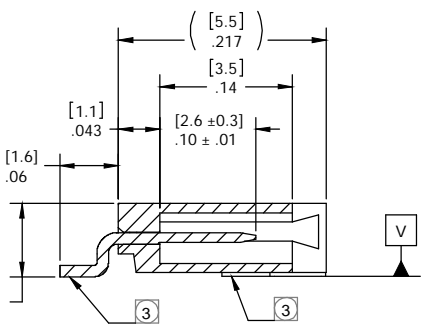
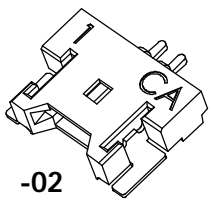
CA-XX PCPR - S X

NUMBER OF PIN POS
02, 03, 04, 10
14, 16, 20, 24

PERIPHERAL COMPONENT
INTERCONNECT-PLUG -
RIGHT ANGLE

SURFACE MOUNT

PLATING:
A = CONTACT AREA: .000003 [.000076] GOLD
B = CONTACT AREA: .000010 [.00025] GOLD
C = CONTACT AREA: .000015 [.00038] GOLD
ALL:
TAIL AREA: .000150 [.00381] TIN
UNDERPLATED: .000075 [.00191] NICKEL



4. MEETS THE REQUIREMENTS OF DIRECTIVE 2002/95/EC OF THE EUROPEAN PARLIAMENT AND OF THE COUNCIL OF 27 JANUARY 2003 ON THE RESTRICTION OF THE USE OF CERTAIN HAZARDOUS SUBSTANCES IN ELECTRICAL AND ELECTRONIC EQUIPMENT. (ROHS)

③ MISALIGNMENT OF SOLDER TAIL AND SOLDER TAB FROM ∇ SURFACE
UPPER DIRECTION .002 [0.05] MAX.
LOWER DIRECTION .006 [0.15] MAX.

2. SPECIFICATIONS:
ENVIRONMENTAL

- TEMPERATURE RANGE : -40°C TO 85°C

MECHANICAL

- INSULATOR MATERIAL : HIGH TEMP THERMOPLASTIC, NATURAL, UL94V-0
- CONTACT MATERIAL : BRASS
- CONTACT PLATING : SEE ORDERING NOMENCLATURE
- DURABILITY : 30 CYCLES NOT EXCEEDING 20 MEGOHMS INCREASE IN CONTACT RESISTANCE
- TOTAL MATING FORCE : <2.1 N PER PIN

ELECTRICAL

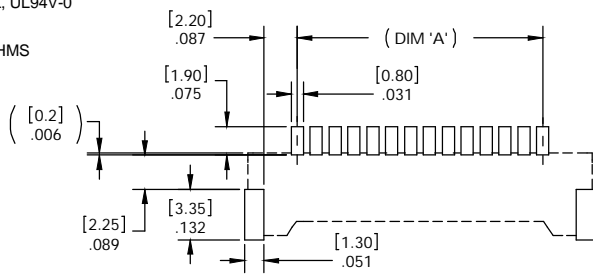
- VOLTAGE RATING : 125V AC
- CURRENT RATING : 1.0 AMP PER CONTACT
- DIELECTRIC WITHSTANDING VOLTAGE : 250V AC MIN FOR 1 MINUTE BETWEEN ADJACENT PINS
- INSULATOR RESISTANCE : >100 MEGOHMS
- CONTACT RESISTANCE : <20 MILLIOHMS

1. INTERPRET DIMENSIONS AND TOLERANCES PER ASME Y14.5M - 1994

NOTES: UNLESS OTHERWISE SPECIFIED

TABULATION :

NO OF POS.	DIM 'A'		DIM 'B'		DIM 'C'		DIM 'D'	
	IN	MM	IN	MM	IN	MM	IN	MM
-02	0.049	1.25	0.148	3.77	0.301	7.65	N/A	
-03	0.098	2.50	0.198	5.02	0.350	8.90	N/A	
-04	0.148	3.75	0.247	6.27	0.400	10.15	0.098	2.50
-10	0.443	11.25	0.542	13.77	0.695	17.65	0.394	10.00
-14	0.640	16.25	0.739	18.77	0.892	22.65	0.591	15.00
-16	0.738	18.75	0.837	21.27	0.990	25.15	0.689	17.50
-20	0.935	23.75	1.034	26.27	1.187	30.15	0.886	22.50
-24	1.132	28.75	1.231	31.27	1.384	35.15	1.083	27.50



PCB LAYOUT: COMPONENT SIDE

DIMENSIONS ARE IN INCHES TOLERANCES ARE:
DECIMALS ANGLES
.XX ±.010 ±3°
.XXX ±.005

DIMENSIONS IN BRACKETS [X.XX] ARE IN MILLIMETERS TOLERANCES ARE:
DECIMALS ANGLES
X ±.25 ±3°
.XX ±.13

DO NOT SCALE DRAWING

APPROVALS	DATE
DRAWN B. WATSON	1-18-00
CHECKED A. JOCHEN	1-20-00

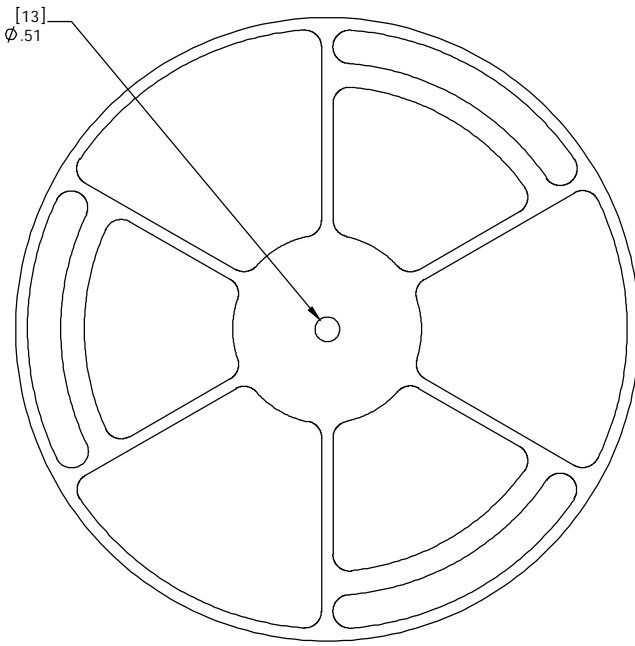
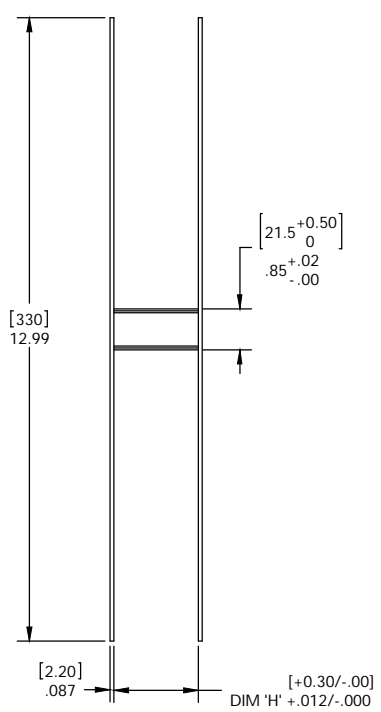
CA CIRCUIT ASSEMBLY CORP.
18 THOMAS ST., IRVINE, CALIFORNIA 92618-2777

CONNECTORASSEMBLY
PCI-LAN/MODEMPLUG
"ROHS COMPLIANT"

SIZE	CODE IDENT NO.	DRAWING NO.	REV.
C	52072	620395	N

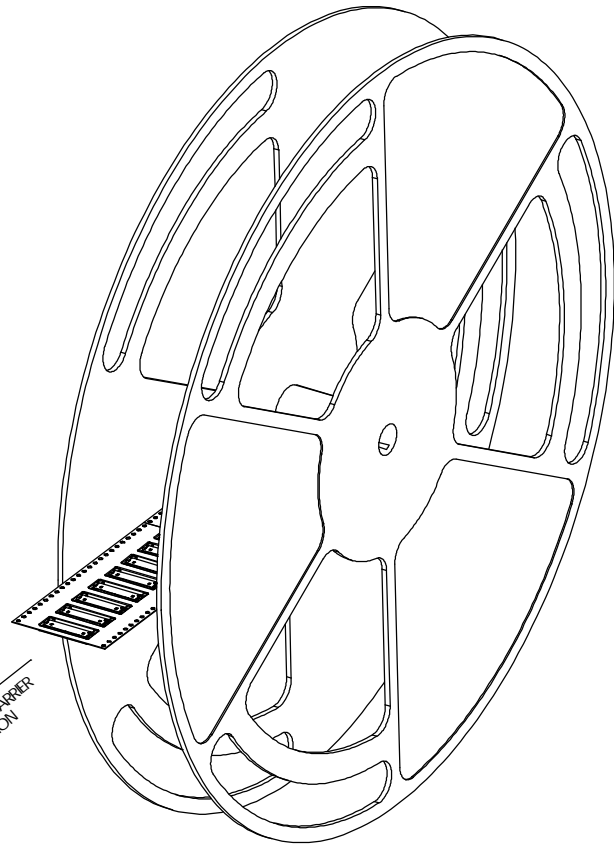
SCALE: 10:1 SHEET 1 OF 3

REVISIONS			
LTR	DESCRIPTION	DATE	APPROVED
	SEE SHEET 1		



CONNECTOR & CARRIER ORIENTATION

CONNECTOR & CARRIER ORIENTATION



TABULATION :

NO OF POS.	DIM 'H'	
	IN	MM
-02	0.650	16.5
-03	0.650	16.5
-04	0.965	24.5
-10	1.280	32.5
-14	1.752	44.5
-16	1.752	44.5
-20	1.752	44.5
-24	2.224	56.5

DIMENSIONS ARE IN INCHES TOLERANCES ARE:		APPROVALS	DATE
DECIMALS	ANGLES	DRAWN B. WATSON	12-1-00
.XX ±.010	±3°	CHECKED L. FONG	12-1-00
.XXX ±.005		THE INFORMATION AND DESIGN DISCLOSED HEREIN WAS ORIGINATED BY AND IS THE PROPERTY OF CIRCUIT ASSEMBLY CORPORATION. CIRCUIT ASSEMBLY CORPORATION RESERVES ALL PATENT, PROPRIETARY, DESIGN, MANUFACTURING, REPRODUCTION, USE AND SALES RIGHTS THERE TO, AND TO ANY ARTICLES DISCLOSED HEREIN EXCEPT TO THE EXTENT RIGHTS ARE EXPRESSLY GRANTED TO OTHERS. THE FOREGOING DOES NOT APPLY TO VENDOR PROPRIETARY RIGHTS.	
DIMENSIONS IN BRACKETS [X.XX] ARE IN MILLIMETERS TOLERANCES ARE:		SIZE	CODE IDENT NO.
DECIMALS	ANGLES	C	52072
.X ±.25	±3°	DRAWING NO.	REV.
.XX ±.13		620395	N
DO NOT SCALE DRAWING		SCALE: NONE	SHEET 3 OF 3

CA **CIRCUIT ASSEMBLY CORP.**
18 THOMAS ST., IRVINE, CALIFORNIA 92618-2777

**ASSEMBLY, PLUG
PCI-LAN/MODEM**