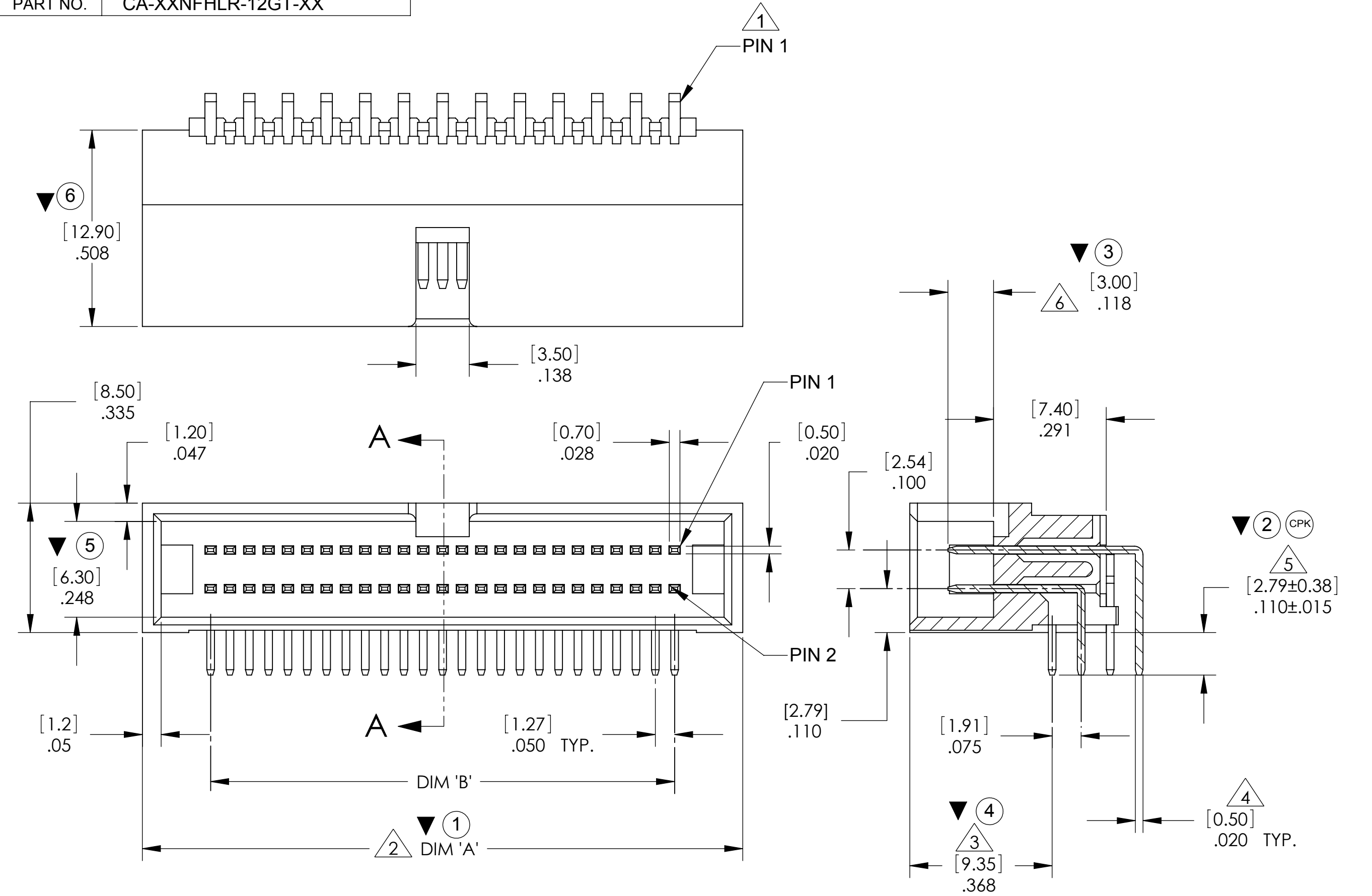


PART NO. CA-XXNFHLR-12GT-XX

REVISIONS			
LTR	DESCRIPTION	DATE	APPROVED
A	INITIAL SEE ECR 3071	1-4-95	A.J.
B	SEE ECO 2444	AJ 12-11-95	A.J.
C	SEE DO 3854	DL 01-26-00	A.J.
D	SEE DO 5009	CP 10-29-02	A.J.
E	SEE DO 5753	CP 04-22-05	A.J.
F	SEE DO 6379	CP 03-06-07	A.J.
G	SEE DO 7195	CP 05-09-12	I.M.
H	SEE DO 7248	CP 02-05-14	I.M.
J	SEE DO 7292	CP 09-28-14	I.M.
K	SEE DO 7295	CP 10-21-14	I.M.
L	SEE DO 7311	CP 01-30-15	I.M.
M	SEE DO 7318	CP 03-09-15	I.M.
N	SEE DO 7529	CP 06-19-19	T.L.



SECTION A-A
SCALE 4 : 1

CA-XX NFHLR-XXXX-XX

NUMBER OF CONTACT POSITIONS

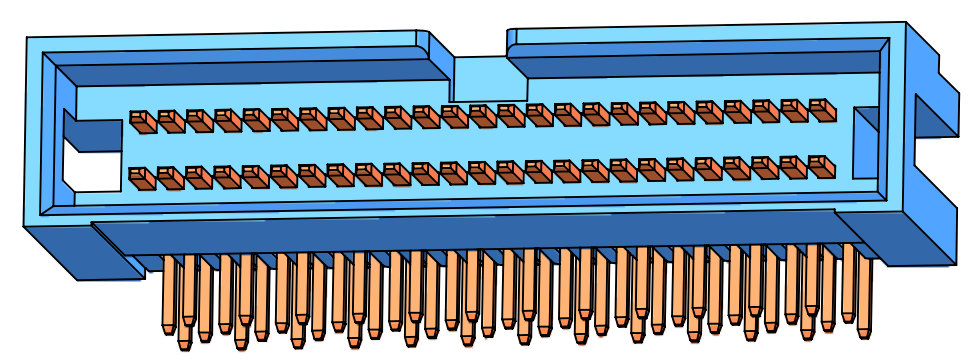
NANOFLEX LOW PROFILE BOX HEADER

PLATING

12GT = CONTACT AREA: .000012 [.00030] GOLD
 TAIL AREA: .000100 [.00254] TIN
 UNDERPLATE: .000100 [.00254] NICKEL

1 INSULATOR:
 BLANK= PA6T, 30%GF, UL 94V-0, COLOR: BLUE (PANTONE 298C ~ 299C)
 HT = PA6T, 30%GF, UL 94V-0, COLOR: BLUE (PANTONE 298C ~ 299C)

No POS	A ±0.15		B ±0.08	
	mm	in	mm	in
10	14.04	0.553	5.08	0.200
16	17.85	0.703	8.89	0.350
20	20.39	0.803	11.43	0.450
26	24.20	0.953	15.24	0.600
34	29.28	1.153	20.32	0.800
40	33.09	1.303	24.13	0.950
50	39.44	1.553	30.48	1.200
60	45.79	1.803	36.83	1.450
64	48.33	1.903	39.37	1.550
68	50.87	2.003	41.91	1.650
80	58.49	2.303	49.53	1.950



- 8. MARK "▼" DIMENSION MUST BE CONTROLLED.
 - MARK "X" IS DIMENSION No.
 - MARK "CPK" DIMENSION MUST BE CONTROLLED BY CPK.
 - 7. MEETS THE REQUIREMENTS OF THE EUROPEAN PARLIAMENT AND THE RESTRICTION OF THE USE OF CERTAIN HAZARDOUS SUBSTANCES IN ELECTRICAL AND ELECTRIC EQUIPMENT. (RoHS)
 - 6. △X INDICATES INSPECTION CRITERIA LIN ITEM NO.
 - 5 NOT TOOLED
 - 4. INTERPRET DIMENSIONS AND TOLERANCES PER ANSI Y14.5M-1994
 - 3. DETAIL SPECIFICATION, REFER TO CAC DRAWING 100199
 - 2. CONTACT MATERIAL: PHOSPHOR BRONZE
 - 1 INSULATOR MATERIAL: SEE ORDERING NOMENCLATURE
- NOTES: UNLESS OTHERWISE SPECIFIED

DIMENSIONS ARE IN INCHES TOLERANCES ARE:		APPROVALS	DATE
DECIMALS	ANGLES	DRAWN P. HAAR	1-03-95
.XX ±.010	±3°	CHECKED A.JOCHEN	1-04-95
.XXX ±.005		THE INFORMATION AND DESIGN DISCLOSED HEREIN WAS ORIGINATED BY AND IS THE PROPERTY OF CIRCUIT ASSEMBLY CORPORATION. CIRCUIT ASSEMBLY CORPORATION RESERVES ALL PATENT, PROPRIETARY, DESIGN, MANUFACTURING, REPRODUCTION, USE AND SALES RIGHTS THERETO, AND TO ANY ARTICLE DISCLOSED HEREIN EXCEPT TO THE EXTENT RIGHTS ARE EXPRESSLY GRANTED TO OTHERS. THE FOREGOING DOES NOT APPLY TO VENDOR PROPRIETARY RIGHTS.	
DIMENSIONS IN BRACKETS [X.XX] ARE IN MILLIMETERS TOLERANCES ARE:		DO NOT SCALE DRAWING	
DECIMALS	ANGLES		
.X ±.25	±3°		
.XX ±.13			

CIRCUIT ASSEMBLY CORP. 3A VANDERBILT, IRVINE, CALIFORNIA 92618-2030			
CONNECTOR ASSEMBLY - NFHLR CA-XXNFHLR-12GT-XX "RoHS"			
SIZE	CODE IDENT NO.	DRAWING NO.	REV.
C	52072	620355	N
SCALE: 2:1		SHEET 1 OF 2	

4

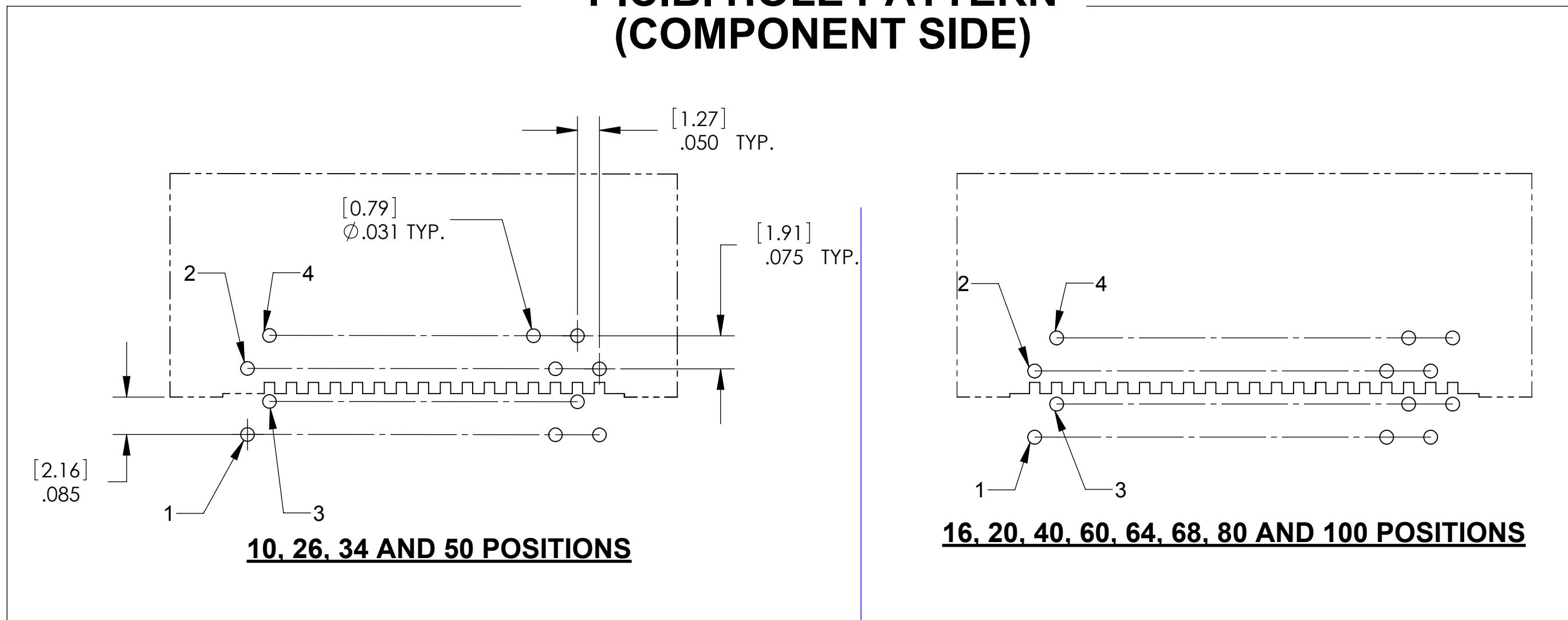
3

2

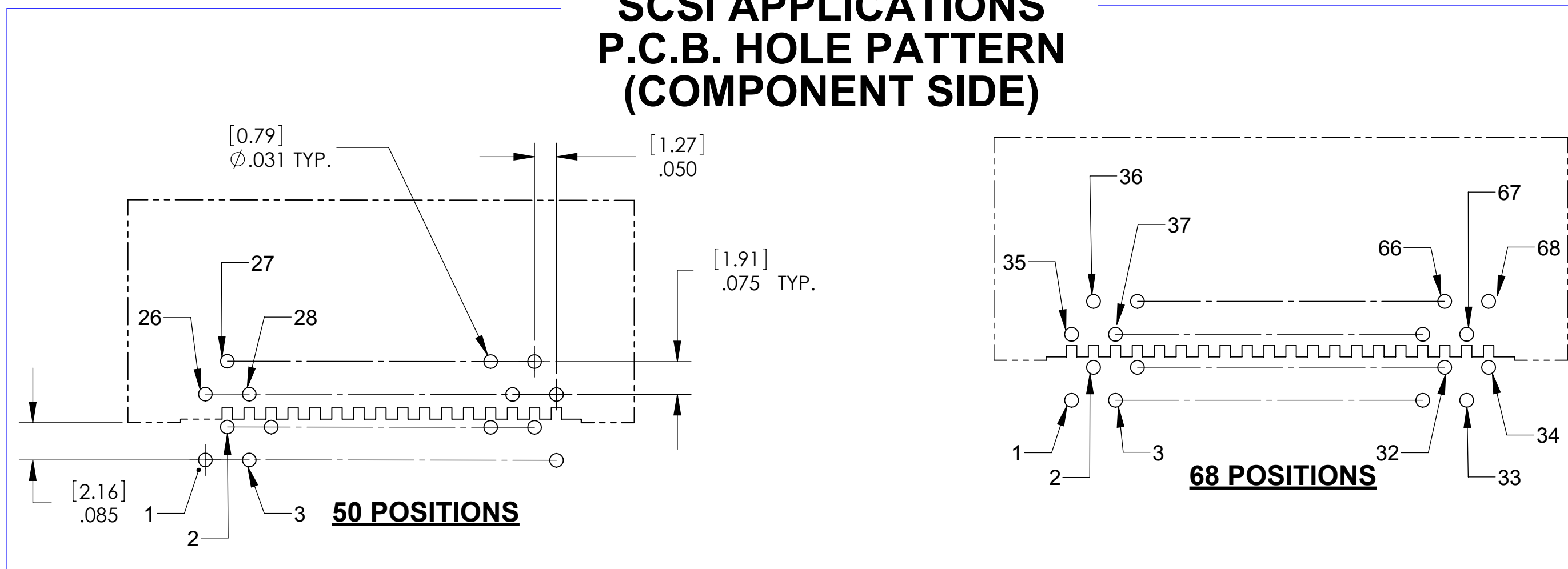
1

REVISIONS			
LTR	DESCRIPTION	DATE	APPROVED
	SEE SHEET 1 OF 2		

STANDARD APPLICATIONS P.C.B. HOLE PATTERN (COMPONENT SIDE)



SCSI APPLICATIONS P.C.B. HOLE PATTERN (COMPONENT SIDE)



DIMENSIONS ARE IN INCHES TOLERANCES ARE:		APPROVALS	DATE
DECIMALS	ANGLES	DRAWN P. HAAR	1-03-95
.XX ±.010	±3°	CHECKED A. JOCHEN	1-04-95
.XXX ±.005		THE INFORMATION AND DESIGN DISCLOSED HEREIN WAS ORIGINATED BY AND IS THE PROPERTY OF CIRCUIT ASSEMBLY CORPORATION. CIRCUIT ASSEMBLY CORPORATION RESERVES ALL PATENT, PROPRIETARY, DESIGN, MANUFACTURING, REPRODUCTION, USE AND SALES RIGHTS THERETO, AND TO ANY ARTICLE DISCLOSED HEREIN EXCEPT TO THE EXTENT RIGHTS ARE EXPRESSLY GRANTED TO OTHERS. THE FOREGOING DOES NOT APPLY TO VENDOR PROPRIETARY RIGHTS.	
DIMENSIONS IN BRACKETS [X.XX] ARE IN MILLIMETERS TOLERANCES ARE:			
DECIMALS	ANGLES		
X ±.25	±3°		
.XX ±.13			
DO NOT SCALE DRAWING			

CA CIRCUIT ASSEMBLY CORP. 3A VANDERBILT, IRVINE, CALIFORNIA 92618-2030			
CONNECTOR ASSEMBLY - NFHLR CA-XXNFHLR-12GT-XX "RoHS"			
SIZE	CODE IDENT NO.	DRAWING NO.	REV.
C	52072	620355	N
SCALE: 2:1		SHEET 2 OF 2	