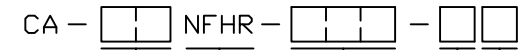
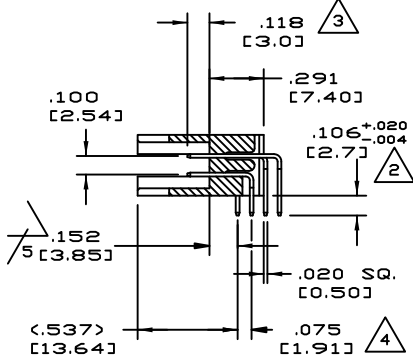
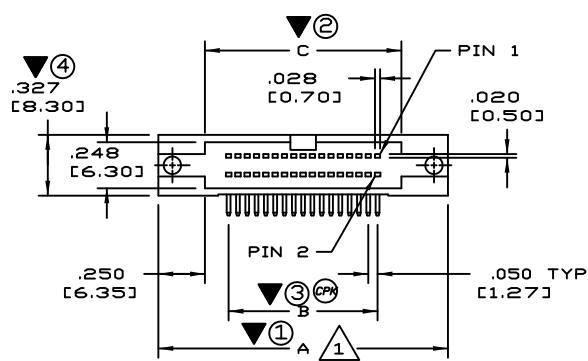
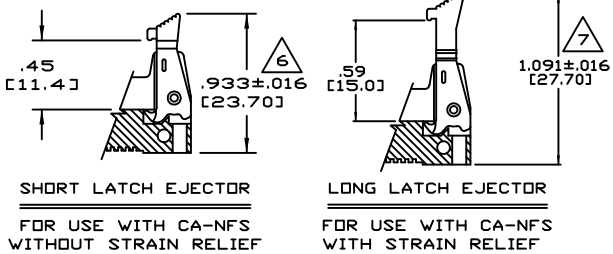
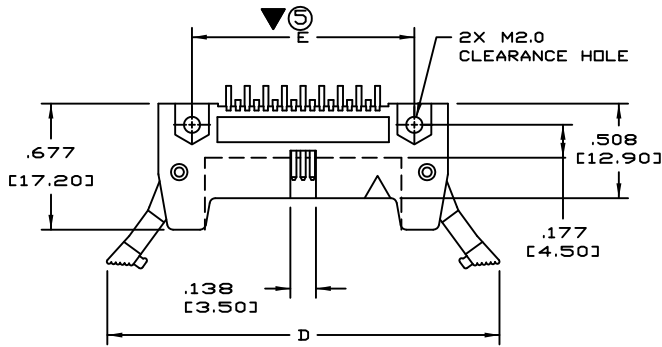


PART NO. CA-XXNFHR-12GT-XX

REVISIONS

LTR	DESCRIPTION	DATE	APPROVED
A	INITIAL RELEASE SEE ECR 1978	11-07-91	J. McA.
B	SEE ECD 1748	4-13-92	A.J.
C	SEE ECD 2056	11-22-93	A.J.
D	SEE ECD 2308	4-18-95	A.J.
E	SEE DD 5490	CP 5-20-04	A.J.
F	SEE DD 6379	CP 3-05-07	A.J.
G	SEE DD 7195	CP 5-09-12	I.M.
H	SEE DD 7312	CP 2-10-15	I.M.
J	SEE DD 7522	CP 4-30-19	T.L.



NUMBER OF CONTACT POSITIONS: \_\_\_\_\_

NANOFLEX RIGHT ANGLE SHROUDED HEADER

PLATING: \_\_\_\_\_

12GT = CONTACT AREA: .000012 [0.00030] GOLD  
 TAIL AREA: .000100 [0.00254] TIN  
 UNDERPLATE: .000100 [0.00254] NICKEL

LATCH OPTION: \_\_\_\_\_

0 = NO LATCH EJECTOR  
 1 = SHORT LATCH EJECTOR  
 2 = LONG LATCH EJECTOR

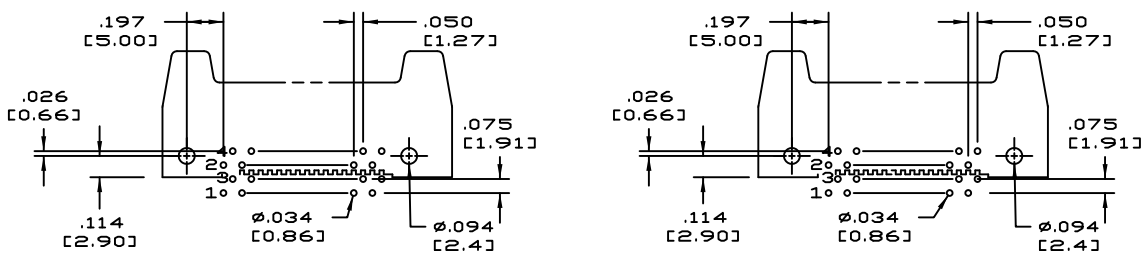
MOUNTING HARDWARE: \_\_\_\_\_

0 = NONE

FOR THE FOLLOWING SIZES: 10,26,34 AND 50

P.C.B. HOLE PATTERN (COMPONENT SIDE)

FOR THE FOLLOWING SIZES: 16,20,40,60,64,80 AND 100



TABULATION:

NO. OF POSITIONS	A		B		C		LONG		SHORT		E	
	IN	MM	IN	MM	IN	MM	IN	MM	IN	MM	IN	MM
10	.955	24.28	.200	5.08	.456	11.58	1.583	40.20	1.373	34.87	.594	15.08
16	1.105	28.09	.350	8.89	.606	15.39	1.733	44.00	1.523	38.68	.744	18.89
20	1.205	30.63	.450	11.43	.706	17.93	1.833	46.55	1.623	41.22	.844	21.43
26	1.355	34.44	.600	15.24	.856	21.74	1.983	50.36	1.773	45.03	.994	25.24
34	1.555	39.52	.800	20.32	1.056	26.82	2.183	55.45	1.973	50.11	1.194	30.32
40	1.705	43.33	.950	24.13	1.206	30.63	2.333	59.26	2.123	53.92	1.344	34.13
50	1.955	49.68	1.200	30.48	1.456	36.98	2.583	65.60	2.373	60.27	1.594	40.48
60	2.205	56.03	1.450	36.83	1.706	43.33	2.833	71.96	2.623	66.62	1.844	46.83
64	2.305	58.57	1.550	39.37	1.806	45.87	2.933	74.50	2.723	69.16	1.944	49.37
80	2.705	68.73	1.950	49.53	2.206	56.03	3.333	84.66	3.123	79.32	2.344	59.53
100	3.206	81.43	2.450	62.23	2.706	68.73	3.833	97.36	3.623	92.02	2.844	72.23

7. MARK '▼' DIMENSION MUST BE CONTROLLED.  
 MARK 'X' IS DIMENSION No.  
 MARK 'CPK' DIMENSION MUST BE CONTROLLED BY CPK.
  6. MEETS THE REQUIREMENTS OF THE EUROPEAN PARLIAMENT AND THE RESTRICTION OF THE USE OF CERTAIN HAZARDOUS SUBSTANCES IN ELECTRICAL AND ELECTRONIC EQUIPMENT. (RoHS)
  5. INTERPRET DIMENSIONS AND TOLERANCES PER ANSI Y14.5M-1994
  4. 'X' INDICATES INSPECTION CRITERIA LINE ITEM NO.
  3. INSULATOR MATERIAL: GLASS FILLED POLYESTER, UL94V-0. COLOR: CUSTOM BLUE (PANTONE 298 C -299 C)
  2. CONTACT MATERIAL: PHOSPHOR BRONZE.
  1. FOR DETAIL SPECIFICATIONS, REFER TO DRAWING NUMBER CA-100199.
- NOTES: UNLESS OTHERWISE SPECIFIED.

DIMENSIONS ARE IN INCHES TOLERANCES ARE:		APPROVALS		DATE	
DECIMALS	ANGLES	DRAWN R. PRITCHETT		11-06-91	
.XX ± .010	± 3°	CHECKED J. McALLISTER		11-07-91	
.XXX ± .008		<b>CIRCUIT ASSEMBLY CORP.</b> 3A VANDERBILT, IRVINE, CALIFORNIA 92618-2030			
CONNECTOR ASSEMBLY - NFHR					
"RoHS"					
DIMENSIONS IN BRACKETS [ ] ARE IN MILLIMETERS TOLERANCES ARE:		SIZE	CODE IDENT NO.	DRAWING NO.	REV.
DECIMALS	ANGLES	C	52072	620342	J
.X ± .25	± 3°	DO NOT SCALE DRAWING			
.XX ± .20		SCALE: 2:1		SHEET 1 OF 1	