

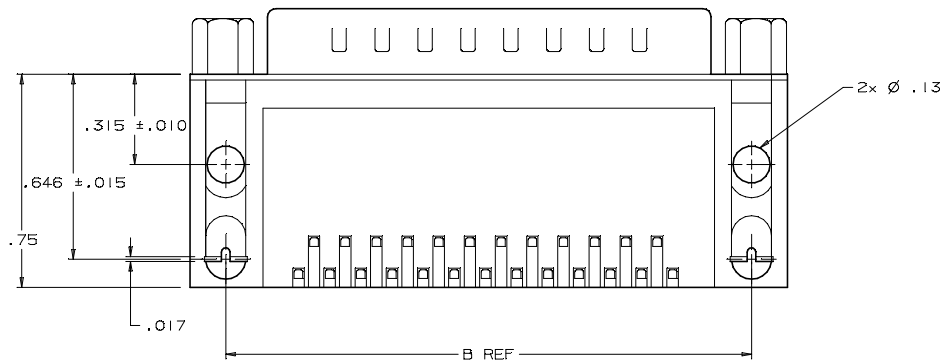
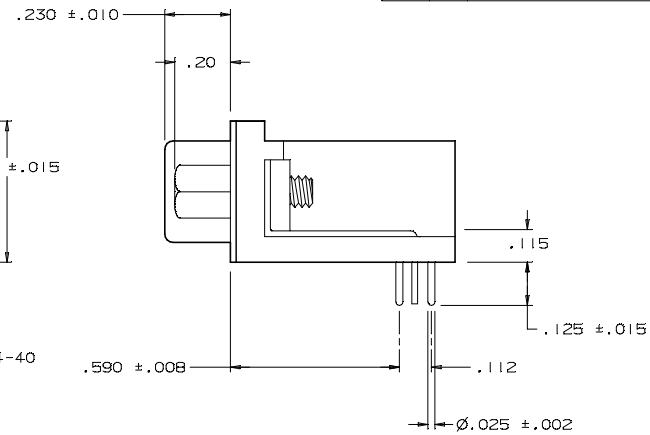
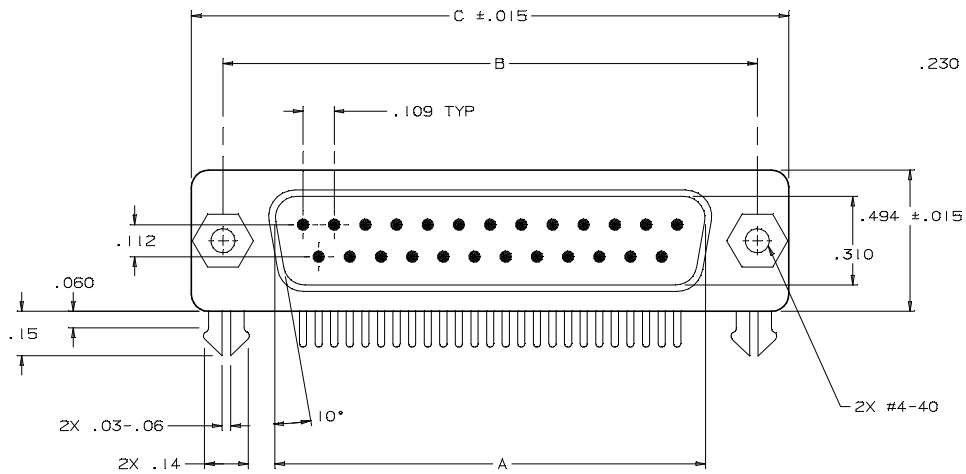
4

3

2

1

REVISIONS				
ZONE	LTR	DESCRIPTION	DATE	APPROVED
	A	INITIAL RELEASE SEE ECR 558	10-01-87	J.Me A
	B	INITIAL RELEASE SEE ECO 1420	7-7-90	J.MC A
	C	SEE DO 4588	C.P B-24-01	A.J



## 6. ORDERING NOMENCLATURE:

CA - [ ] DPRL - [ ] [ ]

NUMBER OF POSITIONS:

"D" SUBMINIATURE PLUG  
RIGHT ANGLEMOUNTING FLANGE  
CONFIGURATION

0 = #4-40 THREADED HOLE

1 = #4-40 THREADED STAND-OFF

GROUND CONFIGURATION:

1 = GROUND STRAP WITH SELF RETAINING FORK

RECOMMENDED P.C.B HOLE SIZE:  $.125 \pm .005$   
( $1/16$ " THK P.C.B)2 = GROUND STRAP WITH  $.13 \pm .01$  DIA CLEARANCE HOLE

## 5. CA-25DPR-11 SHOWN FOR ILLUSTRATION ONLY

## 4. TABULATION:

NO. OF POSITIONS	A	B	C $\pm .015$
9	.666	.984	1.213
15	.994	1.312	1.541
25	1.534	1.852	2.085
37	2.182	2.500	2.729

## 3. SHELL MATERIAL: STEEL, TIN PLATED

## 2. CONTACT MATERIAL: BRASS, GOLD OVER NICKEL PLATED

## 1. INSULATOR MATERIAL: GLASS FILLED POLYESTER, BLACK, UL94V-0

## NOTES:

DIMENSIONS ARE IN INCHES TOLERANCES ARE: DECIMALS ANGLES .XX $\pm .010$ $\pm 3^\circ$ .XXX $\pm .005$	APPROVALS DRAWN IAN MORRELL CHECKED J. McALLISTER	DATE 10/1/87 7/17/90	<b>CIRCUIT ASSEMBLY CORP.</b> 18 THOMAS ST., IRVINE, CALIFORNIA 92618-2777 <b>PLUG ASSEMBLY - "D" SUBMINIATURE RIGHT ANGLE, .590 FOOTPRINT TYPE: CA-DPRL-XX</b>	
DIMENSIONS IN BRACKETS (X.XX) ARE IN MILLIMETERS TOLERANCES ARE: DECIMALS ANGLES .X $\pm .25$ $\pm 3^\circ$ .XX $\pm .13$	<small>THE INFORMATION AND DESIGN DISCLOSED HEREIN WAS OBTAINED BY AND IS THE PROPERTY OF CIRCUIT ASSEMBLY CORPORATION. CIRCUIT ASSEMBLY CORPORATION RESERVES ALL PATENT, PROPRIETARY, DESIGN, MANUFACTURING, REPRODUCTION, USE AND SALES RIGHTS THEREOF, AND TO ANY ARTICLE DISCLOSED HEREIN EXCEPT TO THE EXTENT RIGHTS ARE EXPRESSLY GRANTED TO OTHERS. THE FOREGOING DOES NOT APPLY TO VENDOR PROPRIETARY RIGHTS.</small>	SIZE CODE IDENT NO. <b>C 52072</b>		DRAWING NO. <b>620273</b>
DO NOT SCALE DRAWING	SCALE: NONE		SHEET 1 OF 1	

4

3

2

1