

4

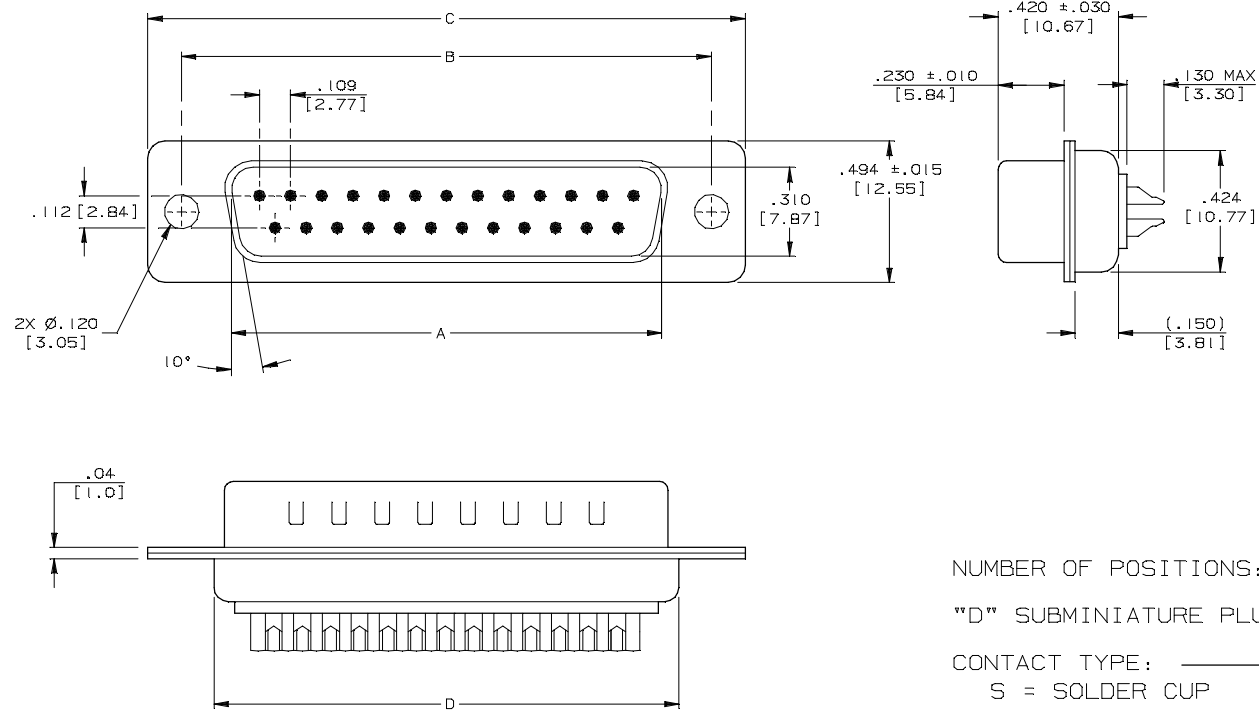
3

2

1

PART NO. CA-XXDPS-X

REVISIONS			
LTR	DESCRIPTION	DATE	APPROVED
A	INITIAL RELEASE SEE ECR 558	09-18-87	N/A
B	SEE DD 4148	C.P. 09-05-00	A. J.
C	SEE DD 4157	C.W. 09-13-00	A. J.
D	SEE DD 4261	C.P. 11-27-00	A. J.
E	SEE DD 6133	C.P. 06-29-06	A. J.
F	SEE DD 7029	C.P. 10-21-10	I.M.



ORDERING NOMENCLATURE:

CA- DPS-

NUMBER OF POSITIONS: _____
 "D" SUBMINIATURE PLUG _____
 CONTACT TYPE: _____
 S = SOLDER CUP
 PLATING _____
 BLANK = GOLD FLASH OVER NICKEL

6. MEETS THE REQUIREMENTS OF DIRECTIVE 2002/95/EC OF THE EUROPEAN PARLIAMENT AND OF THE COUNCIL OF 27 JANUARY 2003 ON THE RESTRICTION OF THE USE OF CERTAIN HAZARDOUS SUBSTANCES IN ELECTRICAL AND ELECTRONIC EQUIPMENT. (RoHS)

5. CA-25DPS SHOWN FOR ILLUSTRATION ONLY

4. TABULATION:

NO. OF POSITIONS	A		B		C ±.015		D ±.010	
	IN	MM	IN	MM	IN	MM	IN	MM
9	.666	16.92	.984	24.99	1.213	30.81	.759	19.28
15	.994	25.25	1.312	33.32	1.541	39.14	1.083	27.51
25	1.534	38.96	1.852	47.04	2.085	52.96	1.625	41.28
37	2.182	55.42	2.500	63.50	2.729	69.32	2.272	57.71

3. SHELL MATERIAL: STEEL, ZINC OR TIN PLATED

2. CONTACT MATERIAL: BRASS

1. INSULATOR MATERIAL: GLASS FILLED POLYESTER, BLACK, UL94V-0

NOTES:

F = .000030 [.00076] GOLD IN CONTACT AREA
 .000100 [.00254] TIN ON TAILS
 .000040 [.00100] NICKEL UNDERPLATE

DIMENSIONS ARE IN INCHES TOLERANCES ARE: DECIMALS ANGLES .XX ± .010 ± 3° .XXX ± .005	APPROVALS	DATE	CA CIRCUIT ASSEMBLY CORP. 18 THOMAS ST., IRVINE, CALIFORNIA 92618-2777
	DRAWN A. JOCHEN 9-5-00 CHECKED A. JOCHEN 9-5-00	9-5-00	
DIMENSIONS IN BRACKETS (X.XX) ARE IN MILLIMETERS TOLERANCES ARE: DECIMALS ANGLES .X ± .25 ± 3° .XX ± .13	THE INFORMATION AND DESIGN DISCLOSED HEREIN WAS OBTAINED BY AND IS THE PROPERTY OF CIRCUIT ASSEMBLY CORPORATION. CIRCUIT ASSEMBLY CORPORATION RESERVES ALL PATENT, PROPRIETARY, DESIGN, MANUFACTURING, REPRODUCTION, USE AND SALES RIGHTS THEREOF, AND TO ANY ARTICLE DISCLOSED HEREIN EXCEPT TO THE EXTENT RIGHTS ARE EXPRESSLY GRANTED TO OTHERS. THE FOREGOING DOES NOT APPLY TO VENDOR PROPRIETARY RIGHTS.		SIZE CODE IDENT NO. DRAWING NO. REV.
	DO NOT SCALE DRAWING	C 52072	620272
SCALE: NONE		SHEET 1 OF 1	

4

3

2

1