

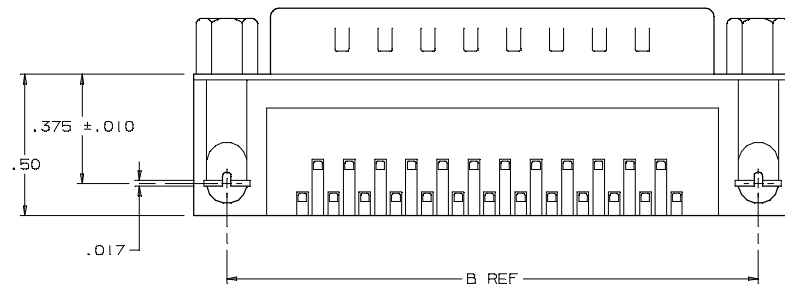
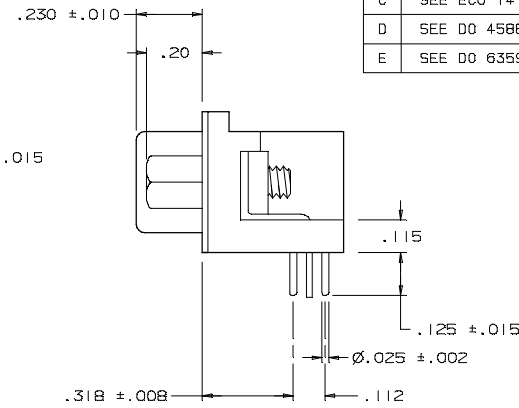
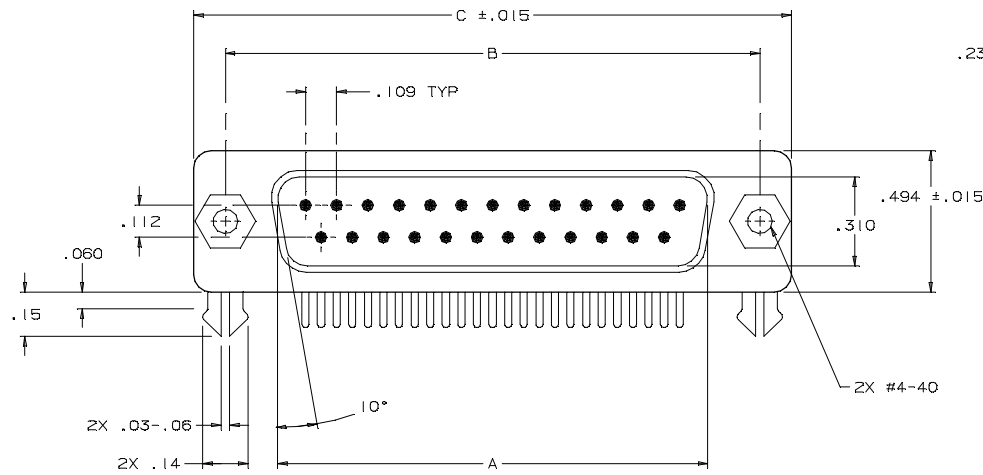
4

3

2

1

REVISIONS				
LTR	DESCRIPTION	DATE	APPROVED	
A	INITIAL RELEASE SEE ECR 558	10-02-87	A. J.	
B	ADDED FORK CONFIGURATION & REVISED ORDERING NOMENCLATURE	11-06-87	JM c. A	
C	SEE ECO 1418	D.N 07-17-90	I.M.	
D	SEE DO 4588	C.P 08-24-01	A. J.	
E	SEE DO 6359	C.P 02-15-07	A. J.	



ORDERING NOMENCLATURE:

CA - [ ] DPR [ ] [ ] - N

NUMBER OF POSITIONS:

"D" SUBMINIATURE PLUG  
RIGHT ANGLEMOUNTING FLANGE  
CONFIGURATION0 = #4-40 TREADED HOLE  
1 = #4-40 TREADED STAND-OFF

GROUND STRAP CONFIGURATION:

1 = GROUND STRAP WITH SELF-RETAINING FORK  
RECOMMENDED P.C.B HOLE SIZE: .125  $\pm .01$   
(1/16" THK P.C.B)2 = GROUND STRAP WITH .13  $\pm .01$  DIA CLEARANCE HOLE

OPTIONS:

BLANK = JACK SCREW INSTALLED

N = JACK SCREW PACKAGED SEPARATELY

6. MEETS THE REQUIREMENTS OF DIRECTIVE 2002/95/EC OF THE EUROPEAN PARLIAMENT AND OF THE COUNCIL OF 27 JANUARY 2003 ON THE RESTRICTION OF THE USE OF CERTAIN HAZARDOUS SUBSTANCES IN ELECTRICAL AND ELECTRONIC EQUIPMENT. (RoHS)

5. CA-25DPR-11 SHOWN FOR ILLUSTRATION ONLY

4. TABULATION:

NO. OF POSITIONS	A	B	C $\pm .015$
9	.666	.984	1.213
15	.994	1.312	1.541
25	1.534	1.852	2.085
37	2.182	2.500	2.729

3. SHELL MATERIAL: STEEL, TIN PLATED

2. CONTACT MATERIAL: BRASS, GOLD OVER NICKEL PLATED

1. INSULATOR MATERIAL: GLASS FILLED POLYESTER, BLACK, UL94V-0

NOTES:

DIMENSIONS ARE IN INCHES TOLERANCES ARE: DECIMALS .XX $\pm .010$ ANGLES $\pm 3^\circ$ .XXX $\pm .005$	APPROVALS DRAWN S. CABRERA CHECKED J. Mc ALLISTER	DATE 11/6/87 11/6/87	<b>CA</b> CIRCUIT ASSEMBLY CORP. 18 THOMAS ST., IRVINE, CALIFORNIA 92618-2777 PLUG ASSEMBLY - "D" SUBMINIATURE RIGHT ANGLE, .319 FOOTPRINT TYPE: CA-DPR-XX ROHS	
DIMENSIONS IN BRACKETS (X.XX) ARE IN MILLIMETERS TOLERANCES ARE: DECIMALS .X $\pm .25$ ANGLES $\pm 3^\circ$ .XX $\pm .13$	THE INFORMATION AND DESIGN ILLUSTRATIONS CONTAINED HEREIN ARE THE PROPERTY OF CIRCUIT ASSEMBLY CORPORATION. ALL PATENT, PROPRIETARY, DESIGN, MANUFACTURING, REPRODUCTION, USE AND SALES RIGHTS THEREOF, AND TO ANY ARTICLE DISCLOSED HEREIN EXCEPT TO THE EXTENT RIGHTS ARE EXPRESSLY GRANTED TO OTHERS. THE FOREGOING DOES NOT APPLY TO VENDOR PROPRIETARY RIGHTS.	SIZE CODE IDENT NO. <b>C 52072</b>		DRAWING NO. <b>620271</b>
DO NOT SCALE DRAWING	SCALE: NONE	SHEET 1 OF 1		

4

3

2

1