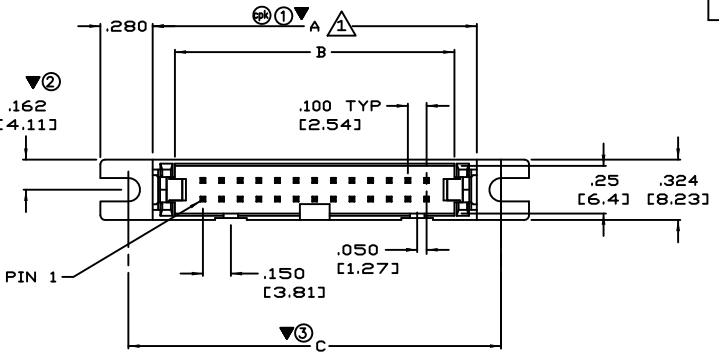


PART NO. CA-XXIDH-XX-XXX

M	SEE DO 7281	CP	08-06-14	I.M.
L	SEE DO 7522	CP	04-30-19	T.L.

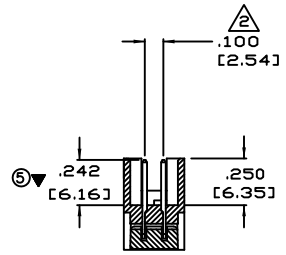
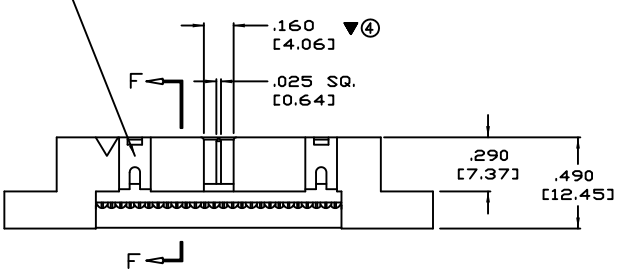
REVISIONS

LTR	DESCRIPTION	DATE	APPROVED
A	INITIAL RELEASE SEE ECD 855	10-01-86	J. MCA.
B	SEE ECD 879	12-17-86	A.J.
C	SEE ECD 932	07-17-87	I.M.
D	SEE ECD 2281	DL 02-01-95	A.J.
E	SEE ECD 2534	PH 05-02-96	A.J.
F	SEE DO 4082	JRL 7-10-00	A.J.
G	SEE DO 4109	CLW 8-3-00	A.J.
H	SEE DO 5809	CP 6-27-05	L.F.
J	SEE DO 5974	CP 01-11-06	A.J.
K	SEE DO 6809	CP 01-20-09	I.M.
L	SEE DO 6975	CP 06-01-10	A.J.



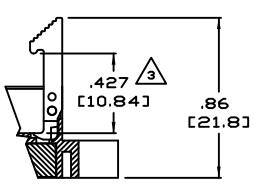
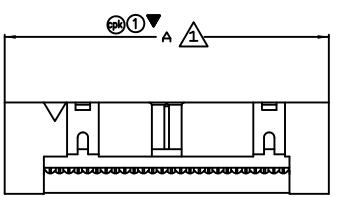
CA-XXIDH-X2 SHOWN

THE POLARIZING FEATURE ON THIS END IS OMITTED ON CA-10IDH

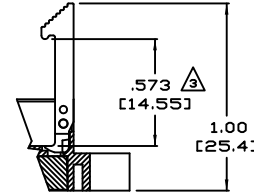


SECTION F-F
SCALE 2:1

CA-XXIDH-X3 SHOWN



CA-IDHLE-43



CA-IDHLE-57

LATCHES ORDERED SEPARATELY.
INSTALLED BY HAND AFTER CABLE
TERMINATION.

ORDERING NOMENCLATURE: CA-IDH--

NO. OF PIN POSITIONS:
INSULATION DISPLACEMENT HEADER

MOUNTING CONFIGURATION:
2 = EARS WITH .125 [3.18] WIDE SLOT
3 = NO MOUNTING EARS
DIMENSION A REPRESENTS
OVER ALL LENGTH

PLATING:
C = CONTACT AREA: .000015 [0.00038] GOLD
INSULATION DISPLACEMENT AREA: .000150 [0.00381] TIN
UNDERPLATE: .000075 [0.00190] NICKEL

F = CONTACT AREA: .000030 [0.00076] GOLD
INSULATION DISPLACEMENT AREA: .000150 [0.00381] TIN
UNDERPLATE: .000075 [0.00190] NICKEL

ADD IF REQUIRED:
SPT = 10 POSITION ONLY (SEE NOTE 7)

- 9. MARK '▼' DIMENSION MUST BE CONTROLLED.
- MARK '⊗' IS DIMENSION NO.
- MARK '⊕' DIMENSION MUST BE CONTROLLED BY CPK.
- 8. MEETS THE REQUIREMENTS OF THE EUROPEAN PARLIAMENT AND THE RESTRICTION OF THE USE OF CERTAIN HAZARDOUS SUBSTANCES IN ELECTRICAL AND ELECTRONIC EQUIPMENT. (RoHS)

- 7. POLARIZING SLOTS:
 - NO SLOT ON CA-10IDH, 1 POLARIZING FEATURE
 - SINGLE SLOT ON CA-10IDH-SPT, NO POLARIZING FEATURES
 - SINGLE SLOT ON CA-20IDH THRU CA-40IDH
 - 3 SLOTS ON CA-50IDH & CA-60IDH

6. △ DENOTES INSPECTION CRITERIA LINE ITEM NO.

5. LATCHES MUST BE INSTALLED AFTER CABLE/CONNECTOR ASSEMBLY

4. FOR DETAIL SPECIFICATIONS, REFER TO SPECIFICATION NO. CA-100067

3. PLATING: SEE ORDERING NOMENCLATURE

2. CONTACT MATERIAL: PHOSPHOR BRONZE

1. INSULATOR MATERIAL: GLASS FILLED POLYESTER, GRAY, UL94V-0

NOTES: UNLESS OTHERWISE SPECIFIED.

TABULATION:

NO. OF POSITIONS	A		B		C	
	IN	MM	IN	MM	IN	MM
10	.940	23.88	.700	17.78	1.200	30.48
20	1.440	36.58	1.200	30.48	1.700	43.18
26	1.740	44.20	1.500	38.10	2.000	50.80
34	2.140	54.36	1.900	48.26	2.400	60.96
40	2.440	61.98	2.200	55.88	2.700	68.58
50	2.940	74.68	2.700	68.58	3.200	81.28
60	3.440	87.38	3.200	81.28	3.700	93.98

DIMENSIONS ARE IN INCHES TOLERANCES ARE:	APPROVALS	DATE	CIRCUIT ASSEMBLY CORP. 3A VANDERBILT, IRVINE, CALIFORNIA 92618-2030 CONNECTOR ASSEMBLY-IDH SERIES IDT SHROUDED HEADER "RoHS"
DECIMALS	BROWN	10-1-86	
ANGLES	S. CABRERA		
.XX ± .010	CHECKED	10-1-86	SIZE
.XXX ± .005	J. McALLISTER		CODE IDENT NO.
DIMENSIONS IN BRACKETS CLOSE ARE IN MILLIMETERS TOLERANCES ARE:	THE INFORMATION AND DESIGN DIS- CLOSURE HEREIN WAS ORIGINATED BY AND IS THE PROPERTY OF CIRCUIT ASSEMBLY CORPORATION. CIRCUIT ASSEMBLY CORPORATION RESERVES ALL PATENT, PROPRIETARY, DESIGN, MANUFACTURING, REPRODUCTION, USE AND SALES RIGHTS THEREIN, AND TO ANY ARTICLE DISCLOSED HEREIN EXCEPT TO THE EXTENT RIGHTS ARE EXPRESSLY GRANTED TO OTHERS. THE FOREGOING DOES NOT APPLY TO VENDOR PROPRIETARY RIGHTS.		DRAWING NO.
DECIMALS	ANGLES		620228
.X ± .25			REV.
.XX ± .13			N
DO NOT SCALE DRAWING	SCALE: 2:1	SHEET 1 OF 1	