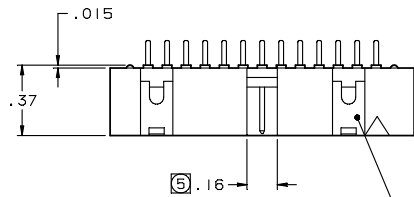
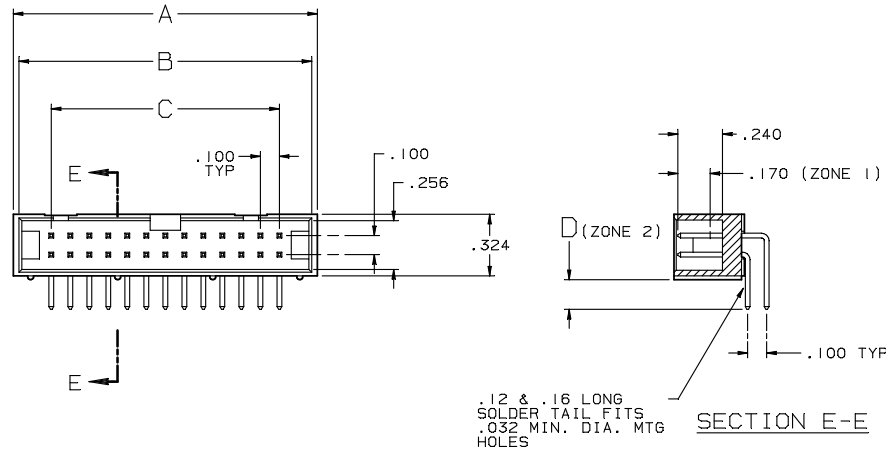


PART NO. CA-XXHLR-XX-XXX

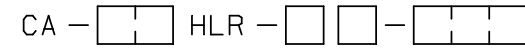
REVISIONS			
LTR	DESCRIPTION	DATE	APPROVED
A	RELEASE TO PRODUCTION	7-2-84	J.M.
B	ECO 654	7-31-84	A.J.
C	ECO 666	8-7-84	J.M.
D	SEE ECO 1077	7-22-88	A.J.
E	SEE D0 3745	9-17-99	A.J.
F	SEE D0 5492	CP 5-21-04	A.J.
G	SEE D0 5510	CP 6-11-04	I.M.
H	SEE D0 5798	CP 7-01-05	L.F.
J	SEE D0 6381	CP 3-08-07	I.M.
K	SEE D0 7522	CP 4-30-19	T.L.



THE POLARIZING FEATURE ON THIS END IS OMITTED ON CA-10HL & CA-14HL



ORDERING NOMENCLATURE:



NUMBER OF PIN POSITIONS
HEADER LOW PROFILE
RIGHT ANGLE

PIN LENGTH: (D DIM)
1 = .12 (SHORT SOLDER TAIL)
2 = .16 (LONG SOLDER TAIL)

PLATING:
C = ZONE 1 .000015 (CONTACT AREA)
ZONE 2 .000150 TIN (TAIL AREA)
UNDERPLATE .000075 NICKEL
F = ZONE 1 .000030 GOLD (CONTACT AREA)
ZONE 2 .000150 TIN (TAIL AREA)
UNDERPLATE .000075 NICKEL

ADD IF REQUIRED:
SPT = 10 POSITION ONLY (SINGLE POLARIZING TAB)

TABULATION:

NO OF POSITIONS	A	B	C
10	.80	.71	.400
14	1.00	.91	.600
16	1.10	1.01	.700
20	1.30	1.21	.900
26	1.60	1.51	1.200
34	2.00	1.91	1.600
40	2.30	2.21	1.900
50	2.80	2.71	2.400
60	3.30	3.21	2.900

7. MEETS THE REQUIREMENTS OF THE EUROPEAN PARLIAMENT AND THE RESTRICTION OF THE USE OF CERTAIN HAZARDOUS SUBSTANCES IN ELECTRICAL AND ELECTRONIC EQUIPMENT. (RoHS)

6. POLARIZING KEY PART NO. CA-HK, IS ORDERED SEPARATELY. KEY TO BE INSERTED BY CUSTOMER.

5. POLARIZING SLOTS:
- SINGLE SLOT ON CA-10HLR-XX-SPT
- NO SLOT ON CA-10HLR
- SINGLE SLOT ON CA-14HLR THRU CA-40HLR
- 3 SLOTS ON CA-50HLR AND CA-60HLR

4. FOR DETAIL SPECIFICATIONS, REFER TO SPECIFICATION NO. CA-100036

3. PLATING: SEE ORDERING NOMENCLATURE

2. CONTACT MATERIAL: PHOSPHOR BRONZE

1. INSULATOR MATERIAL: GLASS FILLED POLYESTER, GRAY UL94V-0

NOTES: UNLESS OTHERWISE SPECIFIED

DIMENSIONS ARE IN INCHES TOLERANCES ARE: DECIMALS ANGLES .XX ± .010 ± 3° .XXX ± .005	APPROVALS DRAWN M. ROA CHECKED A. JOCHEN	DATE 3-6-84 4-30-84	CIRCUIT ASSEMBLY CORP. 3A VANDERBILT, IRVINE, CALIFORNIA 92618-2030 CONNECTOR ASSEMBLY-HLR (RIGHT ANGLE PINS) "RoHS"		
DIMENSIONS IN BRACKETS (X.XX) ARE IN MILLIMETERS TOLERANCES ARE: DECIMALS ANGLES .X ± .XX ±	THE INFORMATION AND DESIGN DISCLOSED HEREIN WAS ORIGINATED BY AND IS THE PROPERTY OF CIRCUIT ASSEMBLY CORPORATION. RESERVES ALL PATENT, PROPRIETARY, DESIGN, MANUFACTURING, REPRODUCTION, USE AND SALES RIGHTS THEREIN, AND TO ANY ARTICLE DISCLOSED HEREIN EXCEPT TO THE EXTENT RIGHTS ARE EXPRESSLY GRANTED TO OTHERS. THE FORGING DOES NOT APPLY TO VENDOR PROPRIETARY RIGHTS.	SIZE C 52072		CODE IDENT NO. 620087	DRAWING NO. 620087
DO NOT SCALE DRAWING	SCALE: 2 : 1		SHEET 1 OF 1		