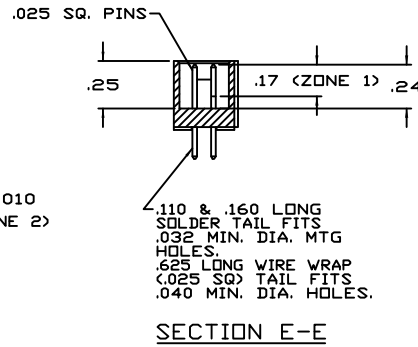
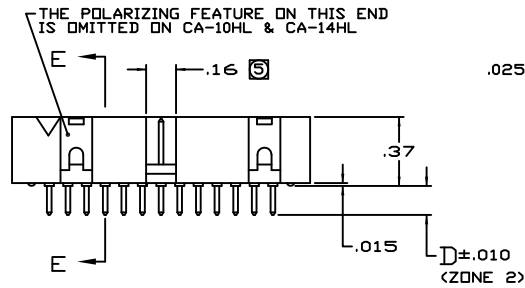
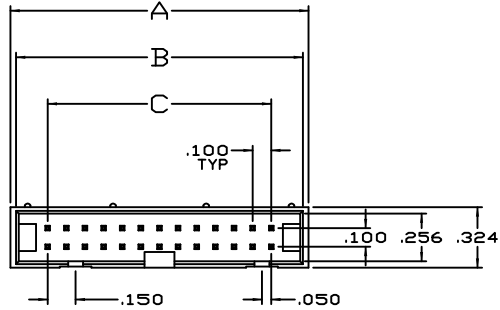


PART NO. CA-XXHL-XX-XXX

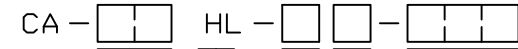
REVISIONS			
LTR	DESCRIPTION	DATE	APPROVED
A	RELEASE TO PRODUCTION	7-2-84	J.M.
B	ECD 653	7-31-84	A.J.
C	ECD 665	8-7-84	J.M.
D	ECD 691	12-4-84	A.J.
E	SEE ECD 1076	7-22-88	A.J.
F	SEE ECD 2085	1-21-94	A.J.
G	SEE DD 5759	CP 4-28-05	L.F.
H	SEE DD 7214	CP 10-09-12	I.M.
J	SEE DD 7522	CP 04-30-19	T.L.



8. TABULATION:

NO OF POSITIONS	A	B	C
10	.80	.71	.400
14	1.00	.91	.600
16	1.10	1.01	.700
20	1.30	1.21	.900
26	1.60	1.51	1.200
34	2.00	1.91	1.600
40	2.30	2.21	1.900
50	2.80	2.71	2.400
60	3.30	3.21	2.900

7. ORDERING NOMENCLATURE:



NUMBER OF PIN POSITIONS
HEADER LOW PROFILE

PIN LENGTH: (DIM 'D')
1 = .110 (SHORT SOLDER TAIL)
2 = .160 (LONG SOLDER TAIL)
3W = .610 (3 LEVEL WRAP TAIL)

PLATING:
C = ZONE 1: .000015 GOLD (CONTACT AREA)
ZONE 2: .000150 TIN (TAIL AREA)
UNDERPLATE: .000075 NICKEL
F = ZONE 1: .000030 GOLD (CONTACT AREA)
ZONE 2: .000150 TIN (TAIL AREA)
UNDERPLATE: .000075 NICKEL

ADD IF REQUIRED:
SPT = 10 POSITION ONLY (SINGLE POLARIZING TAB)

8. MEETS THE REQUIREMENTS OF THE EUROPEAN PARLIAMENT AND THE RESTRICTION OF THE USE OF CERTAIN HAZARDOUS SUBSTANCES IN ELECTRICAL AND ELECTRONIC EQUIPMENT. (RoHS)

7. EFFECTIVE AS OF MANUFACTURE DATE 04-27-2005, THIS CONNECTOR IS RoHS COMPLIANT.

6. POLARIZING KEY PART NO. CA-HK, IS ORDERED SEPARATELY. KEY TO BE INSERTED BY CUSTOMER.

- 5 POLARIZING SLOTS:
- SINGLE SLOT ON CA-10HL-XX-SPT
 - NO SLOT ON CA-10HL
 - SINGLE SLOT ON CA-14HL THRU CA-40HL
 - 3 SLOTS ON CA-50HL AND CA-60HL

4. FOR DETAIL SPECIFICATIONS, REFER TO SPECIFICATION NO. CA-100036

3. PLATING: SEE ORDERING NOMENCLATURE

2. CONTACT MATERIAL: PHOSPHOR BRONZE

1. INSULATOR MATERIAL: GLASS FILLED POLYESTER, GRAY UL94V-0

NOTES: UNLESS OTHERWISE SPECIFIED

DIMENSIONS ARE IN INCHES TOLERANCES ARE:		APPROVALS		DATE	CIRCUIT ASSEMBLY CORP. 3A VANDERBILT, IRVINE, CALIFORNIA 92618-2030
DECIMALS	ANGLES	DRAWN	M. RDA	3-6-84	
.XX ± .010	± 3°	CHECKED	A. JOCHEN	4-30-84	
DIMENSIONS IN BRACKETS CALLU ARE IN MILLIMETERS TOLERANCES ARE:		THE INFORMATION AND DESIGN DISCLOSED HEREIN WAS ORIGINATED BY AND IS THE PROPERTY OF CIRCUIT ASSEMBLY CORPORATION. CIRCUIT ASSEMBLY CORPORATION RESERVES ALL PATENT, PROPRIETARY, DESIGN, MANUFACTURING, REPRODUCTION, USE AND SALES RIGHTS HEREIN, AND TO ANY ARTICLE DISCLOSED HEREIN EXCEPT TO THE EXTENT RIGHTS ARE EXPRESSLY GRANTED TO OTHERS. THE FOREGOING DOES NOT APPLY TO VENDOR PROPRIETARY RIGHTS.			
DECIMALS	ANGLES	SIZE	CODE IDENT NO.	DRAWING NO.	REV.
X ± .25	± 3°	C	52072	620074	J
.XX ± .13		DO NOT SCALE DRAWING		SCALE: 2 : 1	SHEET 1 OF 1