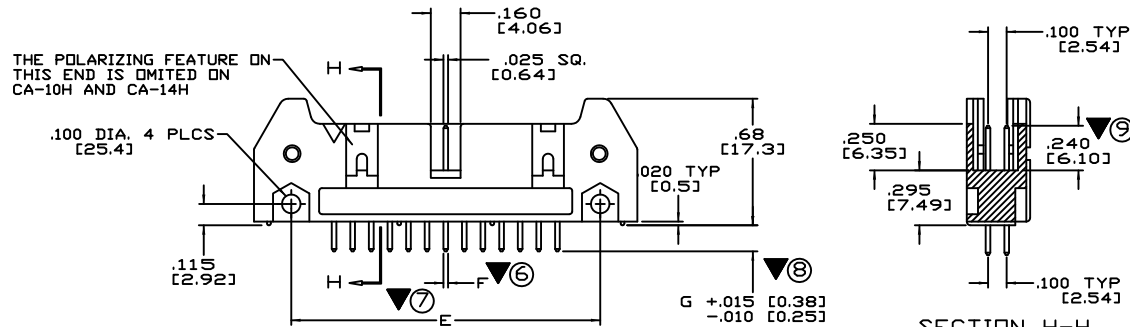
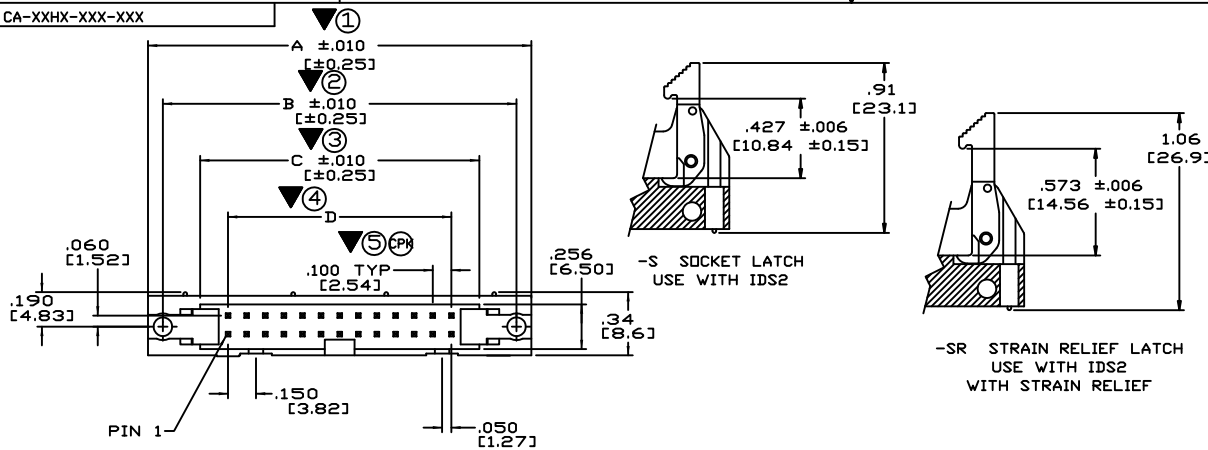


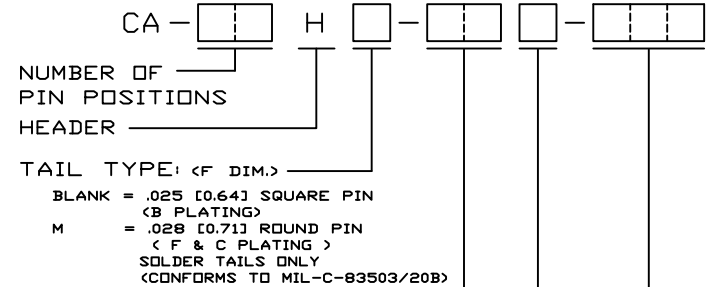
PART NO. CA-XXHX-XXX-XXX

REVISIONS

LTR	DESCRIPTION	DATE	APPROVED
A	RELEASE TO PRODUCTION	02-22-83	J.M.C.A.
B	SEE ECD 546	11-08-83	J.M.C.A.
C	SEE ECD 576	01-20-84	J.M.C.A.
D	SEE ECD 1083	7-27-88	A.J.
E	SEE DD 4122	C.P. 08-16-00	A.J.
F	SEE DD 5492	C.P. 05-21-04	A.J.
G	SEE DD 5798	C.P. 07-01-05	L.F.
H	SEE DD 6398	C.P. 04-17-07	A.J.
J	SEE DD 6495	C.P. 08-03-07	A.J.
K	SEE DD 7208	C.P. 09-18-12	I.M.
L	SEE DD 7320	C.P. 04-23-15	I.M.
M	SEE DD 7522	C.P. 04-30-19	T.L.



ORDERING NOMENCLATURE:



TABULATION:

NO. OF POSITIONS	A		B		C		D		E	
	IN	MM	IN	MM	IN	MM	IN	MM	IN	MM
10	1.26	32.0	1.100	27.94	.700	17.78	.400	10.16	.860	21.84
14	1.46	37.1	1.300	33.02	.900	22.86	.600	15.24	1.060	26.92
16	1.56	39.6	1.400	35.56	1.000	25.40	.700	17.78	1.160	29.46
20	1.76	44.7	1.600	40.64	1.200	30.48	.900	22.86	1.360	34.54
26	2.06	52.3	1.900	48.26	1.500	38.10	1.200	30.48	1.660	42.16
34	2.46	62.5	2.300	58.42	1.900	48.26	1.600	40.64	2.060	52.32
40	2.76	70.1	2.600	66.04	2.200	55.88	1.900	48.26	2.360	59.94
50	3.26	82.8	3.100	78.74	2.700	68.58	2.400	60.96	2.860	72.64
60	3.76	95.5	3.600	91.44	3.200	81.28	2.900	73.66	3.360	85.34

PIN LENGTH: <G DIM.>

- 1 = .120 [3.05] < SHORT SOLDER TAIL >
- 2 = .160 [4.06] < LONG SOLDER TAIL >
- 3W = .610 [15.49] < 3 LEVEL WRAP TAIL >

PLATING:

- A1 = CONTACT AREA: .000001 [0.00003] GOLD
TAIL AREA: .000150 [0.00381] TIN
UNDERPLATE: .000075 [0.00190] NICKEL
- B = .000010 [0.00253] GOLD OVER .000075 [0.00190] NICKEL
- C = CONTACT AREA: .000015 [0.00381] GOLD
TAIL AREA: .000100 [0.00254] TIN
UNDERPLATE: .000040 [0.00102] NICKEL
- F = CONTACT AREA: .000030 [0.00762] GOLD
TAIL AREA: .000150 [0.00381] TIN
UNDERPLATE: .000075 [0.00190] NICKEL

ADD IF REQUIRED:

- BLANK = NO LATCHES
- S = SOCKET LATCH (< USE WITH IDS2 >)
- SR = STRAIN RELIEF LATCH (< USE WITH IDS2 WITH STRAIN RELIEF >)
- SPT = 10 POSITION ONLY (< SEE NOTE 6 >)

9. MARK '▽' DIMENSION MUST BE CONTROLLED.
 MARK '⊗' IS DIMENSION NO.
 MARK '⊕' MUST BE CONTROLLED BY PK.

8. MEETS THE REQUIREMENTS OF THE EUROPEAN PARLIAMENT AND THE RESTRICTION OF THE USE OF CERTAIN HAZARDOUS SUBSTANCES IN ELECTRICAL AND ELECTRONIC EQUIPMENT. (RoHS)

AVAILABLE ON -3W PIN ONLY

6. POLARIZING SLOTS:

- NO SLOT ON CA-10H, 1 POLARIZING FEATURE
- SINGLE SLOT ON CA-10H-SPT, NO POLARIZING FEATURES
- SINGLE SLOT ON CA-14H THRU CA-40H
- 3 SLOTS ON CA-50H AND CA-60H

5. LATCHES ARE RETAINED WITH A STAINLESS STEEL ROLL PIN

4. FOR DETAIL SPECIFICATIONS, REFER TO SPECIFICATION NO. CA-100025

3. PLATING: SEE ORDERING NOMENCLATURE

2. CONTACT MATERIAL: PHOSPHOR BRONZE

1. INSULATOR MATERIAL: GLASS FILLED POLYESTER, UL94V-0, COLOR: GRAY (PANTONE 428 C - 429 C).

NOTES: UNLESS OTHERWISE SPECIFIED

DIMENSIONS ARE IN INCHES TOLERANCES ARE:		APPROVALS		DATE	CIRCUIT ASSEMBLY CORP. 3A VANDERBILT, IRVINE, CALIFORNIA 92618-2030 CONNECTOR ASSEMBLY - HEADER CA-XXH "ROHS"
DECIMALS	ANGLES	DRAWN S. CABRERA/27-88		DATE	
.XX ± .010	± 3°	CHECKED A. JOCHENI/27-88		DATE	
.XXX ± .005		THE INFORMATION AND DESIGN DISCLOSED HEREIN WAS ORIGINATED BY AND IS THE PROPERTY OF CIRCUIT ASSEMBLY CORPORATION. CIRCUIT ASSEMBLY CORPORATION RESERVES ALL PATENT, PROPRIETARY, DESIGN, MANUFACTURING, REPRODUCTION, USE AND SALES RIGHTS THEREOF, AND TO ANY ARTICLE DISCLOSED HEREIN EXCEPT TO THE EXTENT RIGHTS ARE EXPRESSLY GRANTED TO OTHERS. THE FOREGOING DOES NOT APPLY TO VENDOR PROPRIETARY RIGHTS.		SIZE CODE IDENT NO. DRAWING NO. REV. C 52072 620054 M	
DO NOT SCALE DRAWING		SCALE: 2 : 1		SHEET 1 OF 1	