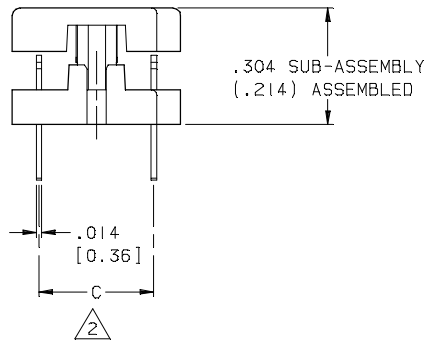
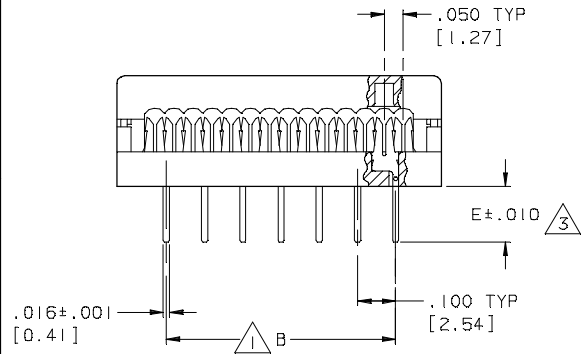
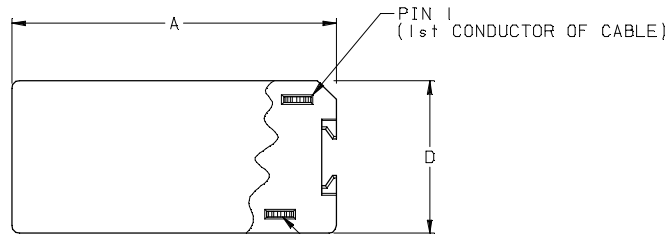


PART NO. CA-XXIDP-XX

REVISIONS			
LTR	DESCRIPTION	DATE	APPROVED
A	RELEASE FOR PRODUCTION	7-21-81	J. McA.
B	SEE ECO 218	8-14-81	J. McA.
C	SEE ECO 285	1-7-82	J. McA.
D	SEE ECO 536	11-3-83	J. McA.
E	SEE ECO 761	6-4-85	A. J.
F	SEE ECO 2458	PH 1-19-96	J. McA.
G	SEE ECO 3546	PH 5-22-96	A. J.
H	SEE DO 5766	CP 5-11-05	A. J.



NUMBER OF _____
PIN POSITIONS

INSULATION _____
DISPLACEMENT
PLUG

TAIL LENGTH: (DIM E) _____
1 = .146 [3.58] (SHORT SOLDER TAIL)
2 = .185 [4.53] (LONG SOLDER TAIL)

PLATING: _____
B = TAIL (DIM. E)
.000010 [.00025] GOLD

INSULATION DISPLACEMENT AREA
.000150 [.00381] TIN

UNDERPLATE
.000075 [.00190] NICKEL

T = .000150 [.00381] TIN OVER .000075 [.00190] NICKEL

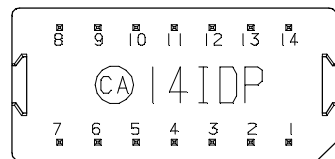
4. Δ DENOTES INSPECTION CRITERIA LINE ITEM NO.

3. FOR DETAIL SPECIFICATION SEE DWG NO. 100027

2. MATERIALS:
INSULATOR: GLASS FILLED POLYESTER, BLACK, UL94V-0.
CONTACT: COPPER ALLOY

1. MEETS THE REQUIREMENTS OF DIRECTIVE 2002/95/EC OF THE EUROPEAN PARLIAMENT AND OF THE COUNCIL OF 27 JANUARY 2003 ON THE RESTRICTION OF THE USE OF CERTAIN HAZARDOUS SUBSTANCES IN ELECTRICAL AND ELECTRONIC EQUIPMENT (RoHS).

NOTES : UNLESS OTHERWISE SPECIFIED



TABULATION:

NO. OF POSITIONS	A		B		C		D	
	IN	MM	IN	MM	IN	MM	IN	MM
14	.780	19.81	.600	15.24	.300	7.62	.400	10.16
16	.880	22.35	.700	17.78	.300	7.62	.400	10.16
24	1.280	32.51	1.100	27.94	.600	15.24	.700	17.78
40	2.080	52.83	1.900	48.26	.600	15.24	.700	17.78

CA-14IDP-1X SHOWN

DIMENSIONS ARE IN INCHES DECIMALS ANGLES .XX ± .010 ± 3° .XXX ± .005		APPROVALS DRAWN MICHAEL ROA 06-10-82 CHECKED A. JOCHEN 06-14-82	DATE	CIRCUIT ASSEMBLY CORP. 18 THOMAS ST., IRVINE, CALIFORNIA 92618-2777 CONNECTOR - INSULATION DISPLACEMENT PLUG (IDP SERIES) "RoHS COMPLIANT"	
DIMENSIONS IN BRACKETS [] ARE IN MILLIMETERS TOLERANCES ARE: DECIMALS ANGLES .X ± .25 ± 3° .XX ± .15		THE INFORMATION AND DESIGN DISCLOSED HEREIN WAS ORIGINATED BY AND IS THE PROPERTY OF CIRCUIT ASSEMBLY CORPORATION. CIRCUIT ASSEMBLY CORPORATION RESERVES ALL PATENT, PROPRIETARY, DESIGN, MANUFACTURING, REPRODUCTION, USE AND SALES RIGHTS THEREIN, AND TO ANY ARTICLES DISCLOSED HEREIN EXCEPT TO THE EXTENT RIGHTS ARE EXPRESSLY GRANTED TO OTHERS. THE FOREGOING DOES NOT APPLY TO VENDOR PROPRIETARY RIGHTS.	SIZE CODE IDENT NO. C 52072		DRAWING NO. 620011
DO NOT SCALE DRAWING		SCALE: 4 : 1	SHEET 1 OF 1		