

4

3

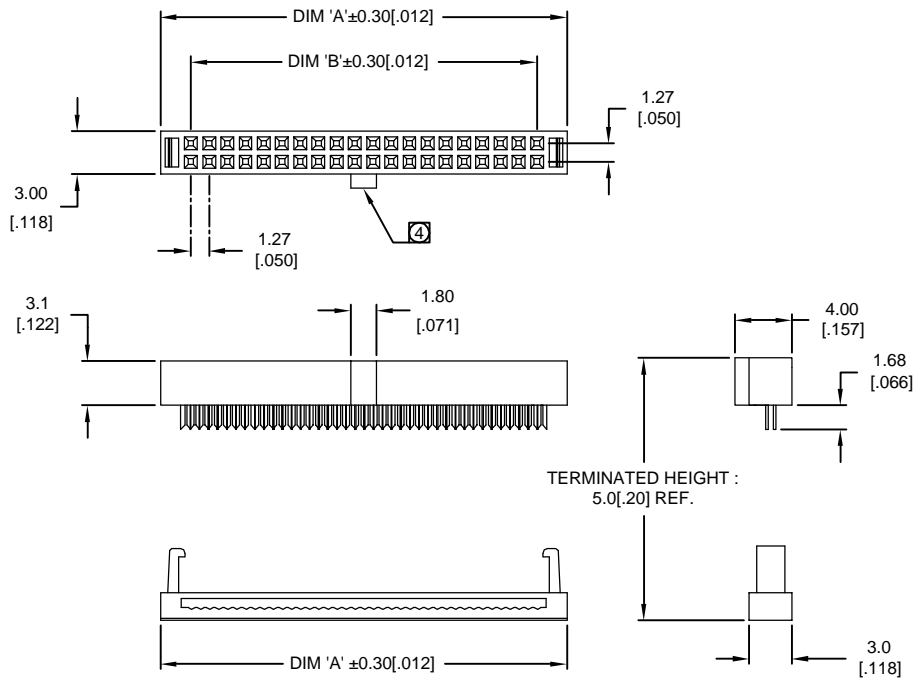
2

1

PART NO. CA-610356-XX-X-X

REVISIONS

LTR	DESCRIPTION	DATE	APPROVED
A	INITIAL RELEASE SEE DO 6841	C.P. 03-18-09	L.F.



CA-610356-XX-X-X

IDC SOCKET,
1.27MM PITCH

NO OF
POSITIONS

PLATING

A = CONTACT AREA : GOLD FLASH
 D = CONTACT AREA : .00013 [.000005"] GOLD
 B = CONTACT AREA : .00025 [.000010"] GOLD
 C = CONTACT AREA : .00038 [.000015"] GOLD
 F = CONTACT AREA : .00076 [.000030"] GOLD

④ POLARIZATION

0 = NO POLARIZATION
 1 = WITH POLARIZATION

TABULATION :

NO. OF POSITION	DIM 'A'		DIM 'B'	
	MM	INCH	MM	INCH
6	8.01	0.315	2.54	0.100
8	9.28	0.365	3.81	0.150
10	10.55	0.415	5.08	0.200
12	11.82	0.465	6.35	0.250
14	13.09	0.515	7.62	0.300
16	14.36	0.565	8.89	0.350
20	16.90	0.665	11.43	0.450
22	18.17	0.715	12.70	0.500
26	20.71	0.815	15.24	0.600
30	23.25	0.915	17.78	0.700
34	25.79	1.015	20.32	0.800
36	27.06	1.065	21.59	0.850
40	29.60	1.165	24.13	0.950
44	32.14	1.265	26.67	1.050
50	35.95	1.415	30.48	1.200
60	42.30	1.665	36.83	1.450
68	47.38	1.865	41.91	1.650
80	55.00	2.165	49.53	1.950

3. SPECIFICATIONS :

MATERIAL :

INSULATOR : PBT, GLASS REINFORCED, UL94V-0, COLOR: BLACK
 CONTACT : PHOSPHOR BRONZE

ELECTRICAL :

CURRENT RATING : 0.5 AMP
 CONTACT RESISTANCE : 30 MILLIOHMS MAX.
 INSULATION RESISTANCE : 1000 MEGOHMS MIN.
 DIELECTRIC WITHSTANDING VOLTAGE : 250 VAC FOR 1 MINUTE
 OPERATING TEMPERATURE : -40°C TO +105°C

2. TERMINATES TO 0.635mm [.025] PITCH FLAT RIBBON CABLE.

1. MEETS THE REQUIREMENTS OF DIRECTIVE 2002/95/EC OF THE EUROPEAN PARLIAMENT AND OF THE COUNCIL OF 27 JANUARY 2003 ON THE RESTRICTION OF THE USE OF CERTAIN HAZARDOUS SUBSTANCES IN ELECTRICAL AND ELECTRONIC EQUIPMENT. (ROHS)

NOTES : UNLESS OTHERWISE SPECIFIED.

DIMENSIONS ARE IN MM TOLERANCES ARE :		APPROVALS	DATE	CIRCUIT ASSEMBLY CORP. 18 THOMAS ST., IRVINE, CALIFORNIA 92618-2777
DECIMALS	ANGLES	DRAWN CUONG P.	3-19-09	
.XX ± .30	±3°	CHECKED LEROY FONG	3-19-09	
<small>DIMENSIONS IN BRACKETS [XXX] ARE INCHES [XXX] ARE INCHES TOLERANCES ARE : DECIMALS ANGLES .XX ± .012 ±3° .XXX ± .008</small>				CONNECTOR ASSEMBLY - IDC SERIES "ROHS COMPLIANT"
DO NOT SCALE DRAWING		SIZE C	CODE IDENT NO. 52072	DRAWING NO. 610356
		SCALE: 2 : 1	REV. A	
				SHEET 1 OF 1

4

3

2

1