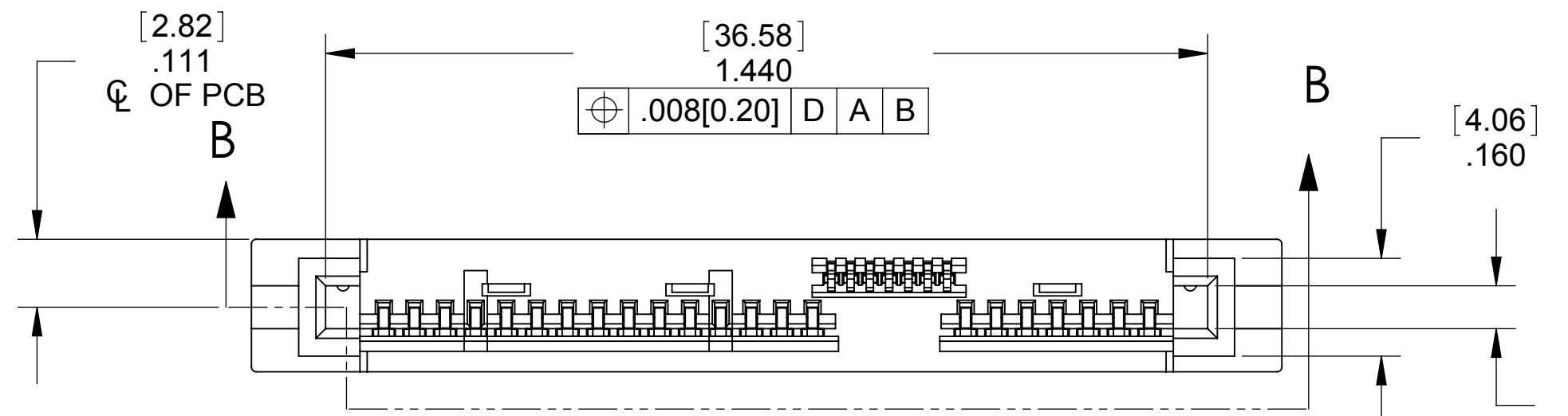


PART NO. CA-29SAS-X1-14-X-1

REVISIONS				
LTR	DESCRIPTION		DATE	APPROVED
A	INITIAL RELEASE SEE DO 6325	CP	01-15-07	A.J.
B	SEE DO 6341	CP	02-01-07	A.J.
C	SEE DO 6369	CP	02-22-07	A.J.
D	SEE DO 6377	CP	03-01-07	A.J.
E	SEE DO 7263	CP	05-16-14	I.M.



[1.78]  
[1.53]  
.070  
.060  
PCB THICKNESS

ORDERING NOMENCLATURE :

# CA-29SAS-X1-14 - X-1

**NUMBER OF CONTACT POS**

**SERIAL SCSI BACKPLANE FIXED (RECEPTACLE) CONNECTOR**

**PLATING**

- A1 = CONTACT AREA : GOLD FLASH
- C1 = CONTACT AREA : .000015 [.00038] GOLD (STANDARD)
- F1 = CONTACT AREA : .000030 [.00076] GOLD
- ALL WITH :  
SOLDER TAIL AREA : .000150 [.00381] PURE TIN  
UNDER PLATE : .000050 [.00127] NICKEL MIN.

**CONFIGURATION**

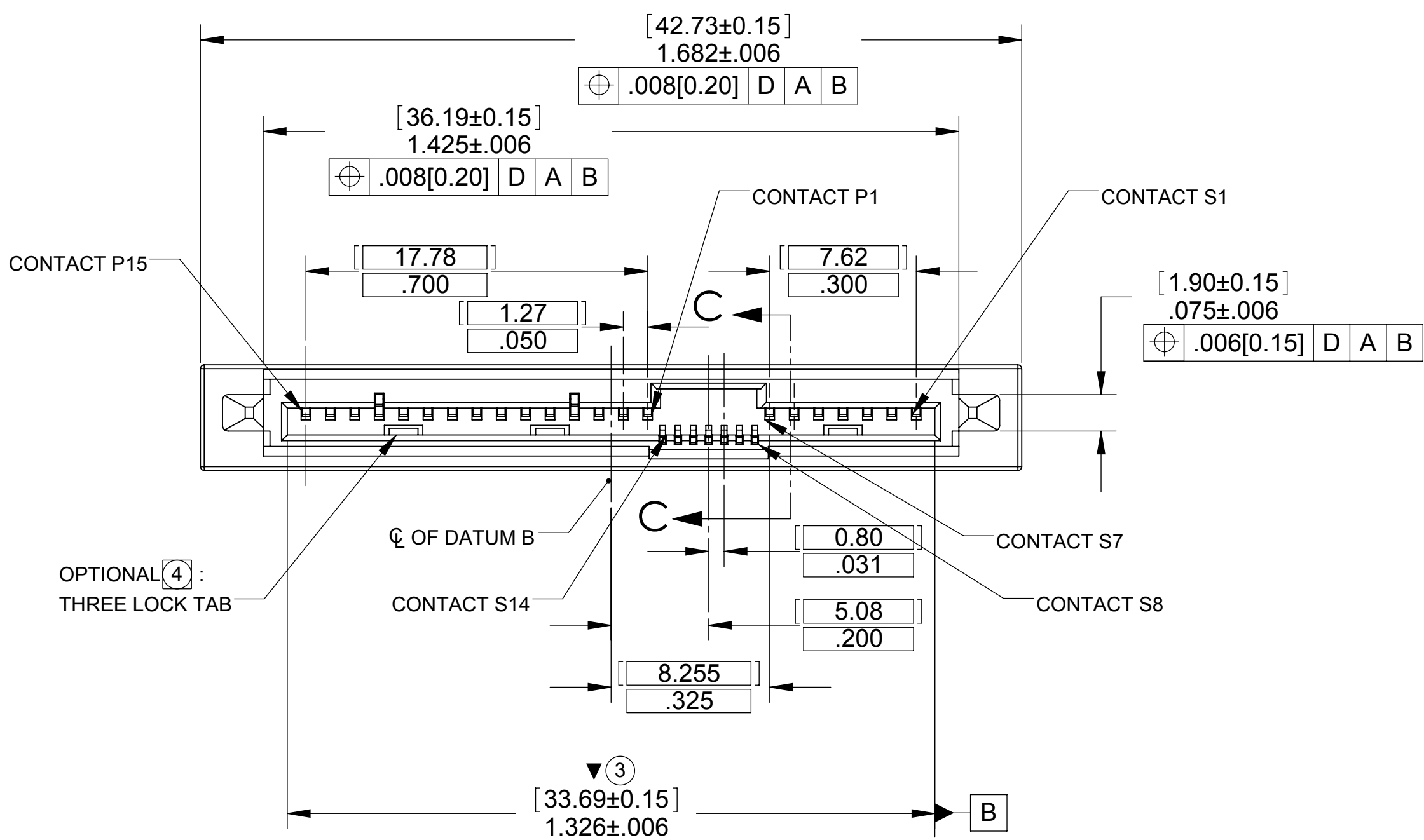
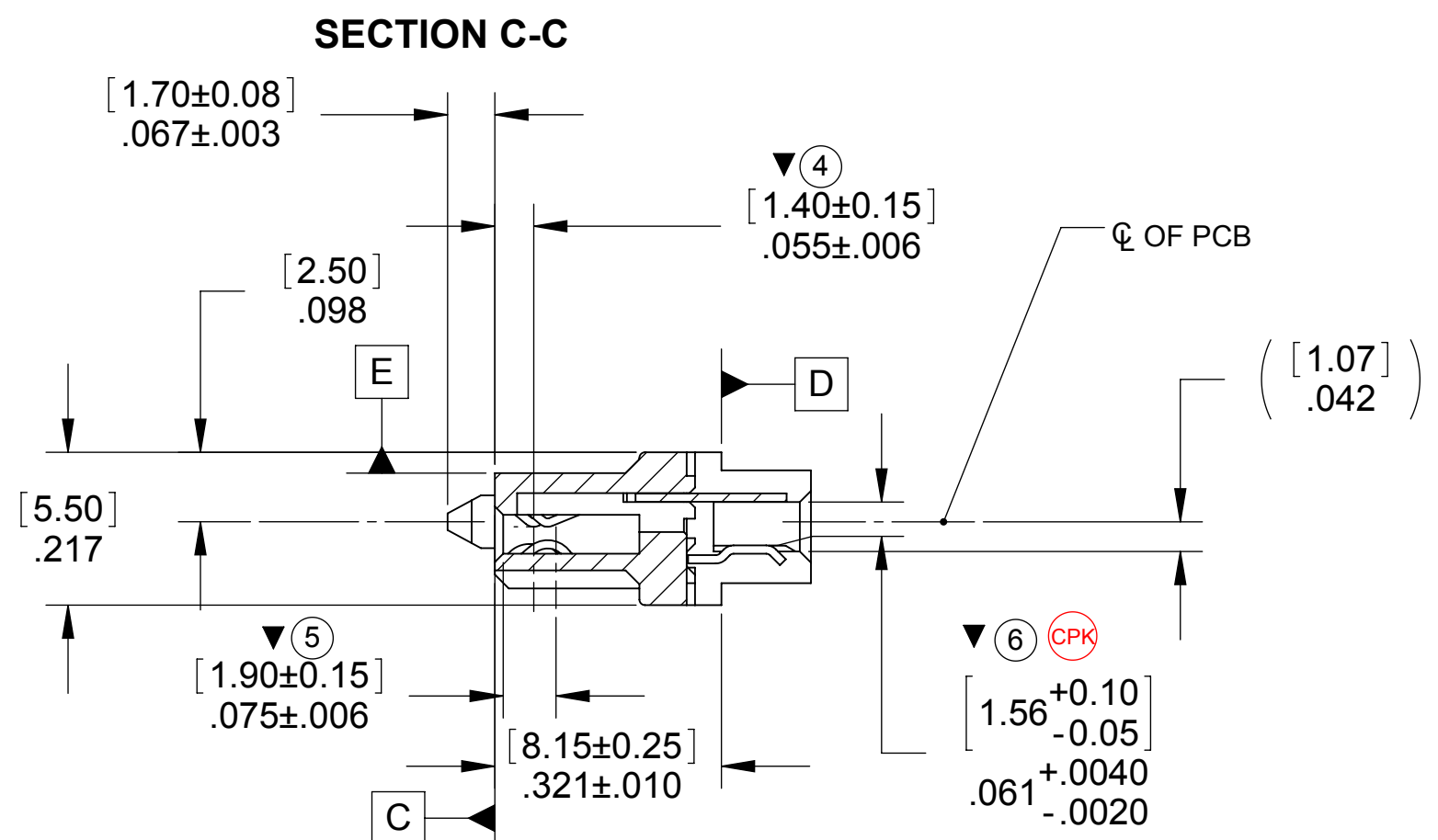
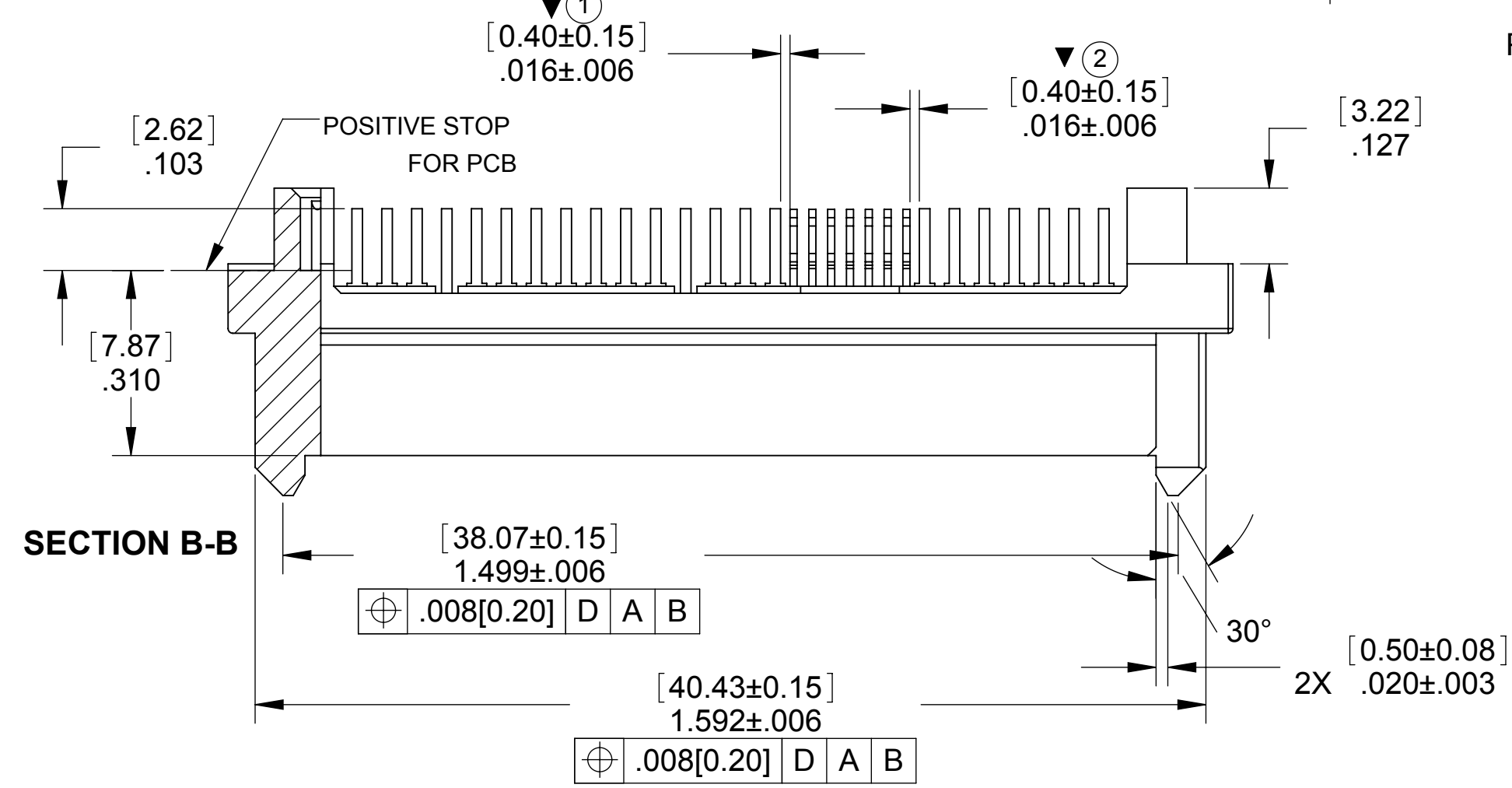
- 14 = REGULAR HEIGHT, STRADDLE MOUNT

**TABS** 4

- 1 = THREE LOCK TABS
- 2 = NO LOCK TABS

**LOGO**

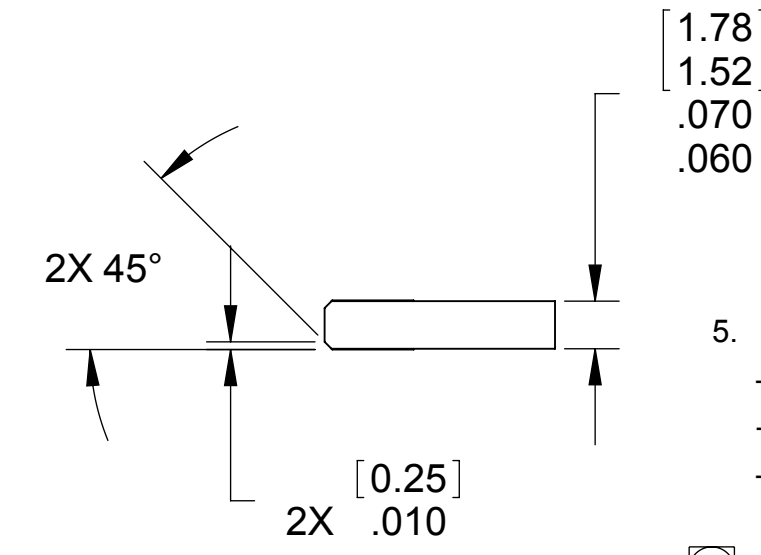
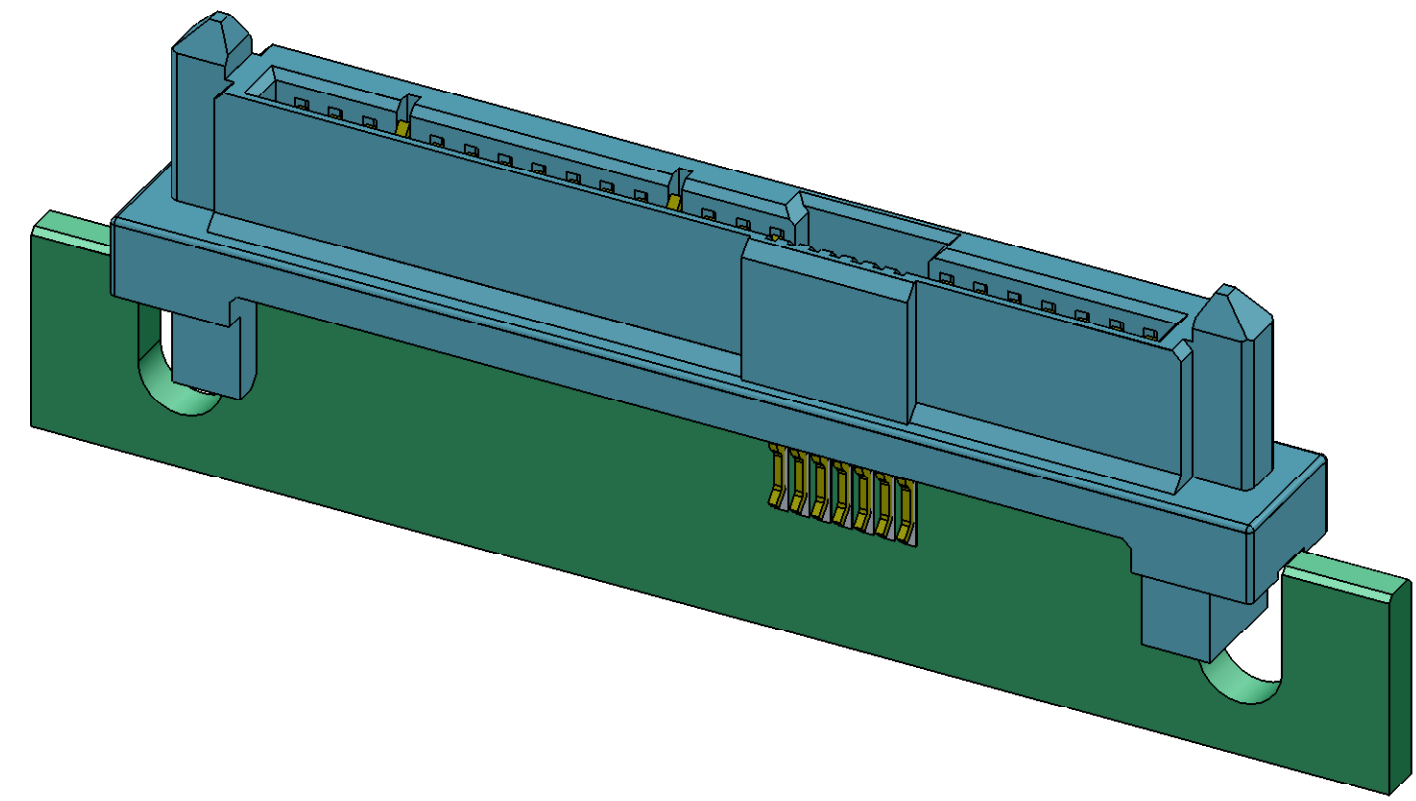
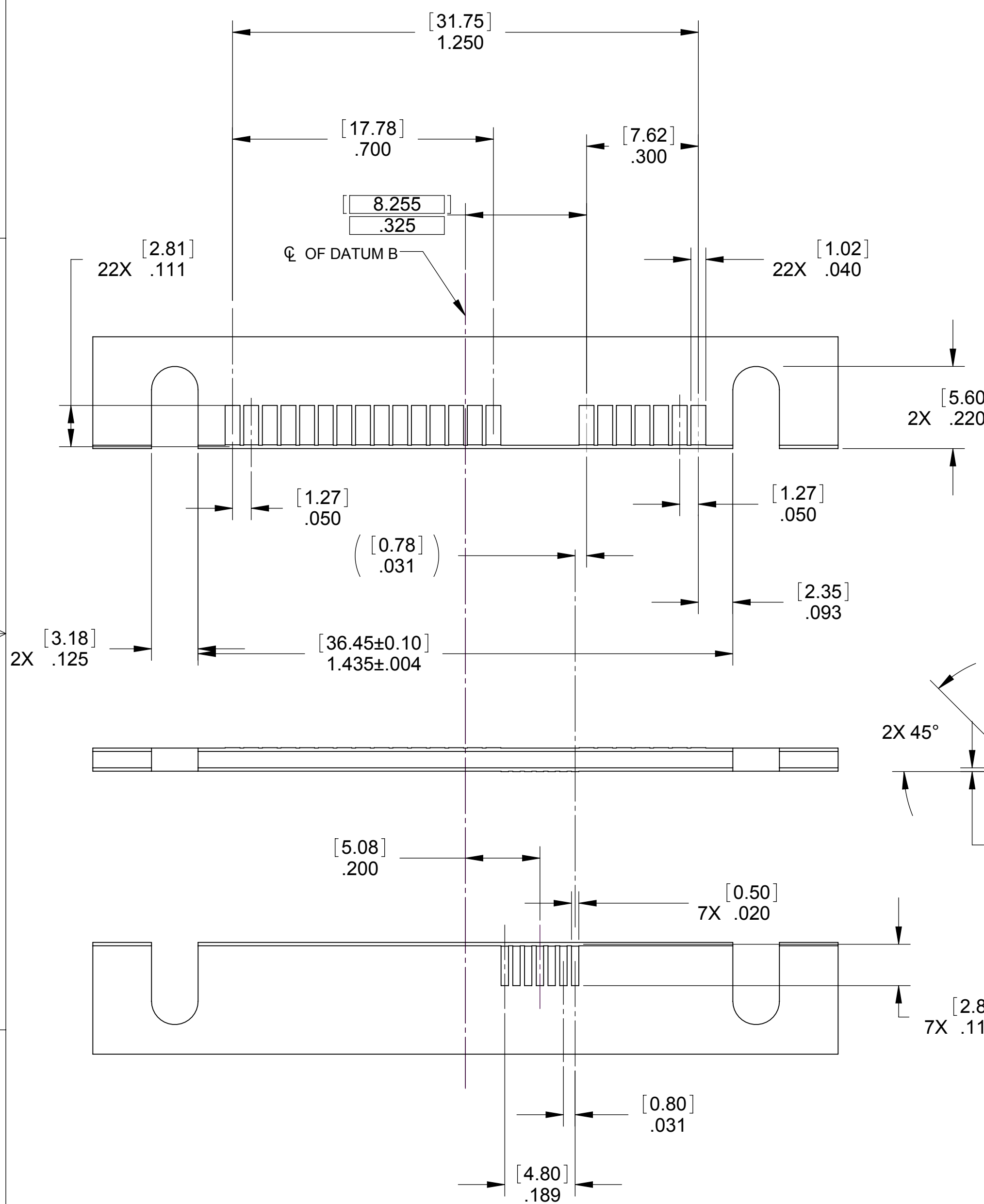
- 1 = CA LOGO



DIMENSIONS ARE IN INCHES TOLERANCES ARE:		APPROVALS	DATE
DECIMALS	ANGLES	DRAWN	1-12-07
.XX ±.010	±3°	CUONG P.	
.XXX ±.005		CHECKED	1-12-07
		A.JOCHEN	
DIMENSIONS IN BRACKETS [X.XX] ARE IN MILLIMETERS TOLERANCES ARE:		THE INFORMATION AND DESIGN DISCLOSED HEREIN WAS ORIGINATED BY AND IS THE PROPERTY OF CIRCUIT ASSEMBLY CORPORATION. CIRCUIT ASSEMBLY CORPORATION RESERVES ALL PATENT, PROPRIETARY, DESIGN, MANUFACTURING, REPRODUCTION, USE AND SALES RIGHTS THERETO, AND TO ANY ARTICLE DISCLOSED HEREIN EXCEPT TO THE EXTENT RIGHTS ARE EXPRESSLY GRANTED TO OTHERS. THE FOREGOING DOES NOT APPLY TO VENDOR PROPRIETARY RIGHTS.	
DECIMALS	ANGLES		
.X ±.25	±3		
.XX ±.13			
<b>DO NOT SCALE DRAWING</b>			

<b>CA CIRCUIT ASSEMBLY CORP.</b> 18 THOMAS ST., IRVINE, CALIFORNIA 92618-2777			
<b>CONNECTOR ASSEMBLY SAS SERIES - STRADDLE MOUNT</b>			
SIZE	CODE IDENT NO.	DRAWING NO.	REV.
C	52072	<b>610337</b>	<b>E</b>
SCALE: 4:1		SHEET 1 OF 2	

REVISIONS			
LTR	DESCRIPTION	DATE	APPROVED
	SEE SHEET 1 OF 2		



- 5. - MARK "▼" DIMENSION MUST BE CONTROLLED
- MARK "⊗" IS DIMENSION No.
- MARK "Ⓢ" DIMENSION MUST BE CONTROLLED BY CPK.

4 OPTIONAL THREE LOCK TABS

3. MATERIALS

HOUSING : HIGH TEMPERATURE THERMOPLASTIC, 30% GLASS FILLED, COLOR BLACK UL 94V-0  
 CONTACT : PHOSPHOR BRONZE  
 CONTACT PLATING : SEE ORDERING NOMENCLATURE

2. REFER CAC DRAWING # H100030 FOR SPECIFICATION.

1. MEETS THE REQUIREMENTS OF DIRECTIVE 2011/65/EU OF THE EUROPEAN PARLIAMENT AND OF THE COUNCIL OF 03 JANUARY 2011 ON THE RESTRICTION OF THE USE OF CERTAIN HAZARDOUS SUBSTANCES IN ELECTRICAL AND ELECTRONIC EQUIPMENT (RoHS 2.0).

NOTES : UNLESS OTHERWISE SPECIFIED

**RECOMMENDED PCB LAYOUT**

DIMENSIONS ARE IN INCHES TOLERANCES ARE:		<b>APPROVALS</b>	<b>DATE</b>
DECIMALS	ANGLES	DRAWN CUONG P.	1-12-07
.XX ±.010	±3°	CHECKED A.JOCHEN	1-12-07
.XXX ±.005			
DIMENSIONS IN BRACKETS [X.XX] ARE IN MILLIMETERS TOLERANCES ARE:		THE INFORMATION AND DESIGN DISCLOSED HEREIN WAS ORIGINATED BY AND IS THE PROPERTY OF CIRCUIT ASSEMBLY CORPORATION. CIRCUIT ASSEMBLY CORPORATION RESERVES ALL PATENT, PROPRIETARY, DESIGN, MANUFACTURING, REPRODUCTION, USE AND SALES RIGHTS THERETO, AND TO ANY ARTICLE DISCLOSED HEREIN EXCEPT TO THE EXTENT RIGHTS ARE EXPRESSLY GRANTED TO OTHERS. THE FOREGOING DOES NOT APPLY TO VENDOR PROPRIETARY RIGHTS.	
DECIMALS	ANGLES		
.X ±.25	±3		
.XX ±.13			
<b>DO NOT SCALE DRAWING</b>			

<b>CAC CIRCUIT ASSEMBLY CORP.</b> 18 THOMAS ST., IRVINE, CALIFORNIA 92618-2777			
<b>CONNECTOR ASSEMBLY SAS SERIES - STRADDLE MOUNT</b>			
SIZE	CODE IDENT NO.	DRAWING NO.	REV.
C	52072	<b>610337</b>	<b>E</b>
SCALE: 4:1		SHEET 2 OF 2	