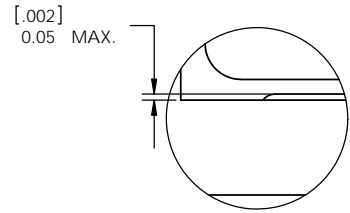
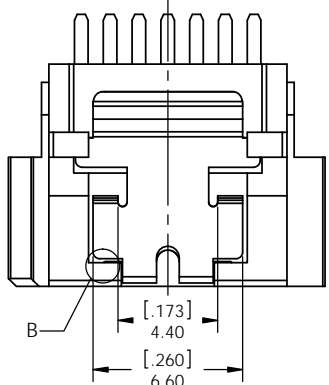
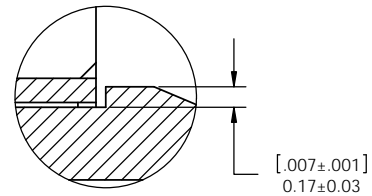


PART NO. CA-07SATA-X-LX

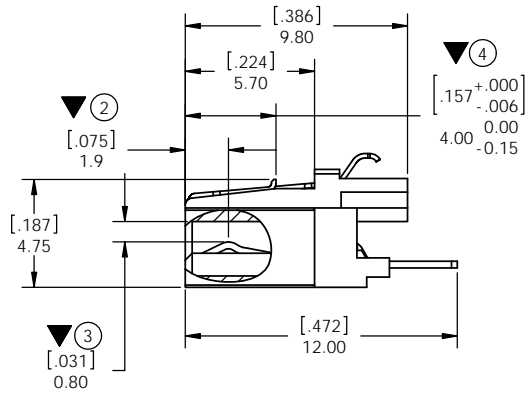
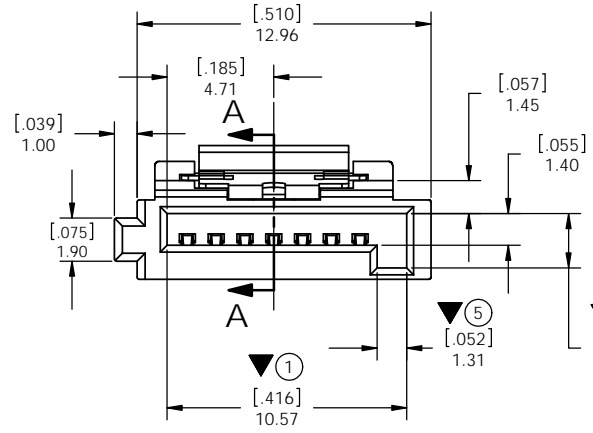
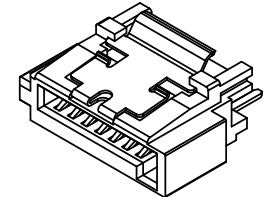
REVISIONS				
LTR	DESCRIPTION	DATE	APPROVED	
A	INITIAL RELEASE, SEE DO 6242	C.P. 11-10-06	L.F.	
B	SEE DO 6927	C.P. 12-07-09	L.F.	
C	SEE DO 6974	C.P. 06-10-10	L.F.	
D	SEE DO 7015	C.P. 08-31-10	L.F.	
E	SEE DO 7387	C.P. 02-27-17	I.M.	
F	SEE DO 7405	C.P. 05-24-17	I.M.	
G	SEE DO 7521	C.P. 04-22-19	T.L.	



DETAIL B
SCALE 32 : 1



DETAIL C
SCALE 32 : 1



ORDERING NOMENCLATURE

CA - 07 SATA - X - L X - XXX

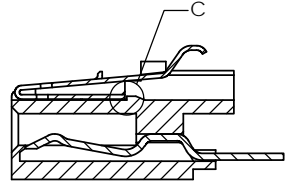
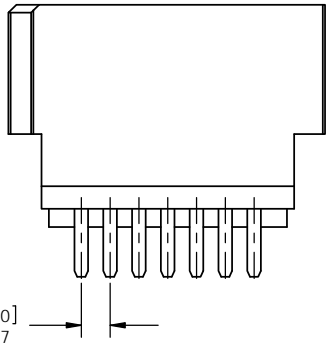
7-POS LATCHING
SATA SOCKET

CONTACT PLATING
C = .00038[.000015"] AU
F = .00076[.000030"] AU

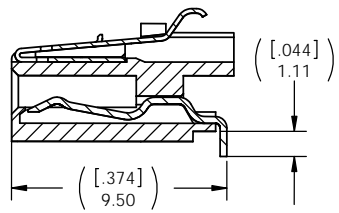
OPTION
L = W/ LATCH, MOLDING TYPE

TAIL STYLE
1 = STRAIGHT
2 = RIGHT ANGLE

INSULATOR MATERIAL
BLANK: PBT, 30%GF, BLACK COLOR, UL 94V-0
LCP: LCP, 30%GF, BLACK COLOR, UL 94V-0



SECTION A-A
CA-07SATA-X-L1
STRAIGHT STYLE SHOWN



SECTION A-A
CA-07SATA-X-L2
RIGHT ANGLE STYLE SHOWN

3. MARK "▼" DIMENSIONS MUST BE CONTROLLED.

MARK "(X)" IS DIMENSION NO.

2. MATERIALS
LATCH: STAINLESS STEEL, T=0.2±.01MM
BASE: SEE ORDERING NOMENCLATURE
CONTACT & FINISH: COPPER ALLOY, T=0.3±.01MM
CONTACT AREA: GOLD PLATE (SEE ORDERING NOMENCLATURE)
TAIL AREA: .000150" MIN. PURE TIN PLATE
UNDERPLATE: .000050" MIN. NICKEL OVERALL

1. MEETS THE REQUIREMENTS OF THE EUROPEAN PARLIAMENT AND THE RESTRICTION OF THE USE OF CERTAIN HAZARDOUS SUBSTANCES IN ELECTRICAL AND ELECTRONIC EQUIPMENT. (RoHS)

NOTES: UNLESS OTHERWISE SPECIFIED

DIMENSIONS ARE IN MM TOLERANCES ARE:	
DECIMALS .X ±.25	ANGLES ±3°
DIMENSIONS IN BRACKETS [X.XX] ARE IN INCHES TOLERANCES ARE:	
DECIMALS .XX ±.010	ANGLES ±3°
.XXX ±.005	
DO NOT SCALE DRAWING	

APPROVALS	DATE
DRAWN CUONG P.	10-12-06
CHECKED LEROY FONG	11-10-06

CIRCUIT ASSEMBLY CORP. 3A VANDERBILT, IRVINE, CALIFORNIA 92618-2030			
CONNECTOR ASSEMBLY - SATA SERIES 7P LATCHING SATA SOCKET "RoHS"			
SIZE	CODE IDENT NO.	DRAWING NO.	REV.
C	52072	610334	G
SCALE: 6:1		SHEET 1 OF 1	