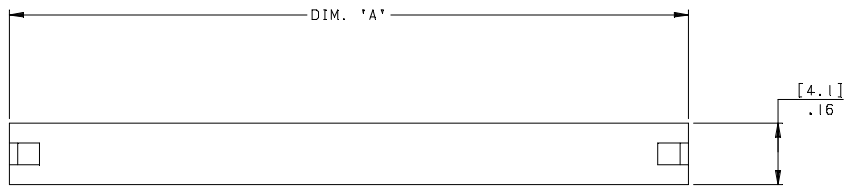


PART NO. CA-XXMID-AI-XXX-XX

REVISIONS			
LTR	DESCRIPTION	DATE	APPROVED
A	INITIAL RELEASE SEE DO 6094	CP 5-15-06	I.M.



ORDERING NOMENCLATURE:  
**CA-XXMID-AI-XXX-XX**

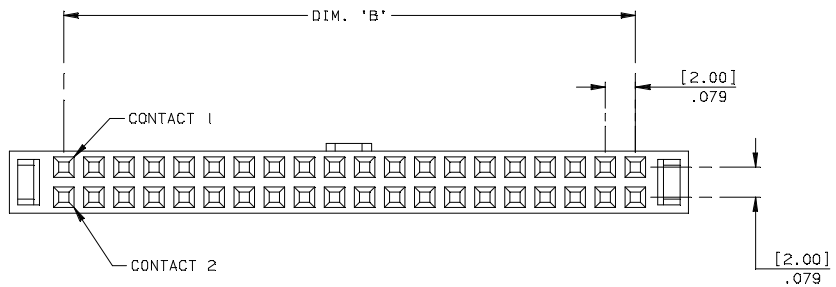
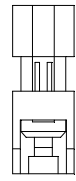
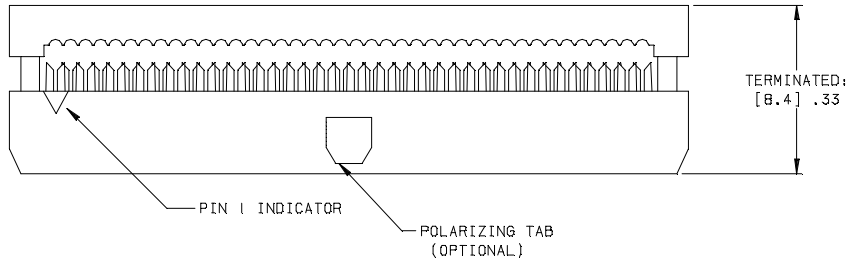
NUMBER OF CONTACT POSITIONS

2mm INSULATION DISPLACEMENT

PLATING:  
AI = GOLD FLASH OVER NICKEL

POLARIZING TAB :  
BLANK = NO POLARIZING TAB  
SPT = SINGLE POLARIZING TAB (NOT AVAILABLE FOR SIZE 68)

STRAIN RELIEF :  
BLANK = NO STRAIN RELIEF  
SR = STRAIN RELIEF (NOT AVAILABLE FOR SIZES 36 & 68)



TABULATION:

NO. OF POSITIONS	A		B	
	MM	IN	MM	IN
10	[15.20]	.598	[8.00]	.315
12	[17.20]	.677	[10.00]	.394
14	[19.20]	.756	[12.00]	.472
16	[21.20]	.835	[14.00]	.551
20	[25.20]	.992	[18.00]	.708
22	[27.20]	1.070	[20.00]	.787
24	[29.20]	1.149	[22.00]	.866
26	[31.20]	1.228	[24.00]	.944
30	[35.20]	1.385	[28.00]	1.102
34	[39.20]	1.543	[32.00]	1.259
36	[41.20]	1.622	[34.00]	1.338
40	[45.20]	1.779	[38.00]	1.496
44	[49.20]	1.937	[42.00]	1.653
50	[55.20]	2.173	[48.00]	1.889
68	[73.20]	2.881	[66.00]	2.598

2. SPECIFICATIONS:

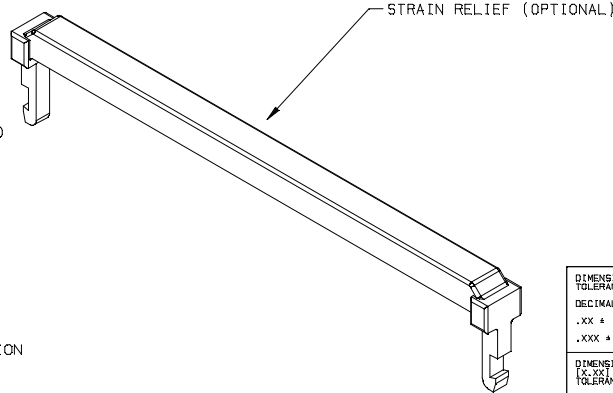
ENVIRONMENTAL:  
TEMPERATURE RANGE : -40°C TO +105°C

MECHANICAL:  
INSULATOR MATERIAL : GLASS FILLED THERMOPLASTIC, BLACK, UL94V-0  
CONTACT MATERIAL : COPPER ALLOY  
TERMINATES TO : 1mm CENTER LINE FLAT CABLE

ELECTRICAL:  
CURRENT RATING : 1 AMP  
VOLTAGE RATING : 250 V AC MAX.  
INSULATION RESISTANCE : 1000 MEGOHM MIN.  
DIELECTRIC VOLTAGE : 500V AC FOR ONE MINUTE  
CONTACT RESISTANCE : 30 MILLIOHM MAX.

1. MEETS THE REQUIREMENTS OF DIRECTIVE 2002/95/EC OF THE EUROPEAN PARLIAMENT AND OF THE COUNCIL OF 27 JANUARY 2003 ON THE RESTRICTION OF THE USE OF CERTAIN HAZARDOUS SUBSTANCES IN ELECTRICAL AND ELECTRONIC EQUIPMENT. (RoHS)

NOTES: UNLESS OTHERWISE SPECIFIED



DIMENSIONS ARE IN INCHES TOLERANCES ARE: DECIMALS .XX ± .010 .XXX ± .005	ANGLES ± 3°	DIMENSIONS IN BRACKETS (X.XX) ARE MILLIMETERS TOLERANCES ARE: DECIMALS .X ± .25 .XX ± .15	ANGLES ± 3°	DON'T SCALE DRAWING
---	-------------	---	-------------	---------------------

APPROVALS DRAWN BY CUONG P. CHECKED IAN MORRELL DATE 5-15-06 DESIGN 15-06	DATE 5-15-06	<b>CIRCUIT ASSEMBLY CORP.</b> 18 THOMAS ST., IRVINE, CALIFORNIA 92618-2777
THE INFORMATION AND DESIGN DISCLOSED HEREIN WAS ORIGINATED BY AND IS THE PROPERTY OF CIRCUIT ASSEMBLY CORPORATION. CIRCUIT ASSEMBLY CORPORATION RESERVES ALL PATENT, PROPRIETARY, DESIGN, MANUFACTURING, REPRODUCTION, USE AND SALES RIGHTS THEREON, AND TO ANY ARTICLE DISCLOSED HEREIN EXCEPT TO THE EXTENT RIGHTS ARE EXPRESSLY GRANTED TO OTHERS. THE FOREGOING DOES NOT APPLY TO VENDOR PROPRIETARY RIGHTS.		<b>SOCKET ASSEMBLY-2mm IDT SOCKET MID SERIES "ROHS COMPLIANT"</b>
SIZE C	CODE IDENT NO. 52072	DRAWING NO. 610328
REV. A	SHEET 1 OF 1	