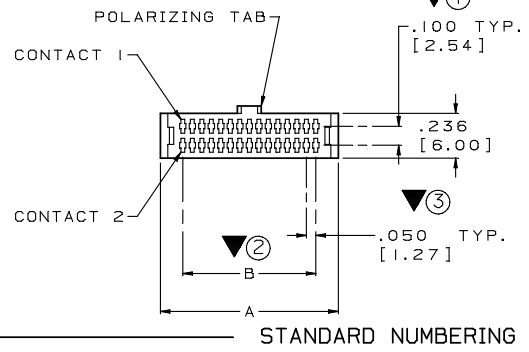
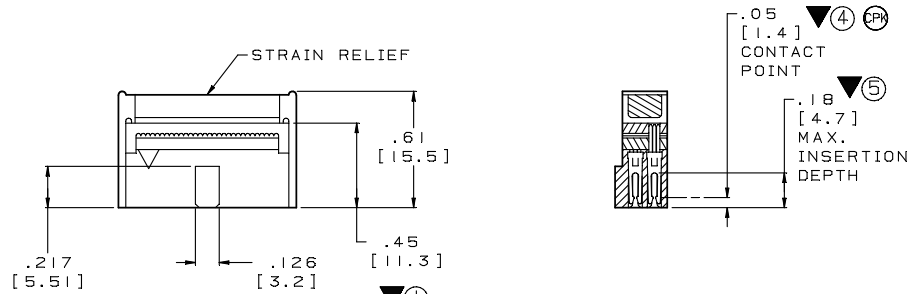


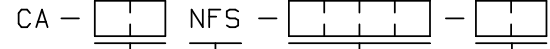
PART NO. CA-XXNFS-12GI-XX

REVISIONS

LTR	DESCRIPTION	DATE	APPROVED
A	INITIAL RELEASE SEE DO 5799	CP 07-06-05	L.F.
B	SEE DO 6027	CP 03-08-06	A.J.
C	SEE DO 7315	CP 03-02-15	I.M.



ORDERING NOMENCLATURE:



NUMBER OF CONTACT POSITIONS

NANOFLEX INSULATION DISPLACEMENT SOCKET

PLATING:

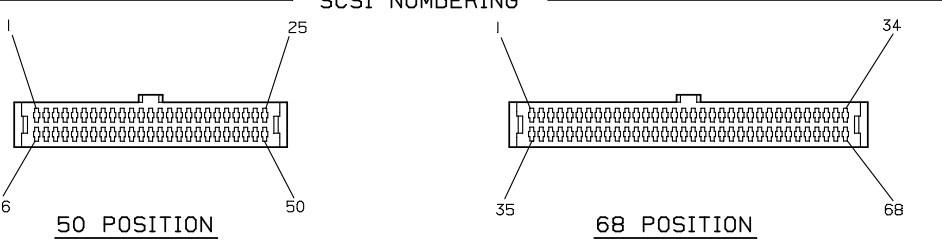
12GI = CONTACT AREA: .000012 [.00030] GOLD
 IDC AREA: .000100 [.00254] TIN
 UNDERPLATE: .000075 [.00191] NICKEL

STRAIN RELIEF:

BLANK = NO STRAIN RELIEF
 SR = WITH STRAIN RELIEF

STANDARD NUMBERING

SCSI NUMBERING



TABULATION:

NO. OF POSITIONS	A		B	
	IN	MM	IN	MM
10	.436	11.08	.200	5.08
16	.586	14.89	.350	8.89
20	.686	17.43	.450	11.43
26	.836	21.24	.600	15.24
34	1.036	26.32	.800	20.32
40	1.186	30.13	.950	24.13
50	1.436	36.48	1.200	30.48
60	1.686	42.83	1.450	36.83
64	1.786	45.37	1.550	39.37
68	1.886	47.90	1.650	41.91
80	2.186	55.53	1.950	49.53
100	2.686	68.23	2.450	62.23

- MARK "▽" DIMENSION MUST BE CONTROLLED.
 MARK "X" IS DIMENSION No.
 MARK "CPK" MUST BE CONTROLLED BY CPK.
- INSULATOR MATERIAL: GLASS FILLED POLYESTER, UL94V-0, COLOR: CUSTOM BLUE (PANTONE 298 C - 299 C).
- CONTACT MATERIAL: PHOSPHOR BRONZE
- FOR DETAIL SPECIFICATIONS, REFER TO SPECIFICATION NO. CA-100178.
- INTERPRET DIMENSIONS AND TOLERANCES PER ANSI Y14.5M - 1994
- MEETS THE REQUIREMENTS OF DIRECTIVE 2011/65/EU OF THE EUROPEAN PARLIAMENT AND OF THE COUNCIL OF 03 JANUARY 2011 ON THE RESTRICTION OF THE USE OF CERTAIN HAZARDOUS SUBSTANCES IN ELECTRICAL AND ELECTRONIC EQUIPMENT. (RoHS 2.0)

NOTES:

DIMENSIONS ARE IN INCHES TOLERANCES ARE: DECIMALS ANGLES .XX ± .010 ± 3° .XXX ± .008	APPROVALS DRAWN CUONG P. 07-06-05 CHECKED LEROY FONG 07-06-05	DATE 07-06-05	CIRCUIT ASSEMBLY CORP. 18 THOMAS ST., IRVINE, CALIFORNIA 92618-2777 CONNECTOR ASSEMBLY - NFS	
DIMENSIONS IN BRACKETS (X.XX) ARE IN MILLIMETERS TOLERANCES ARE: DECIMALS ANGLES .X ± .25 ± 3° .XX ± .20	THE INFORMATION AND DESIGN DISCLOSED HEREIN WAS ORIGINATED BY AND IS THE PROPERTY OF CIRCUIT ASSEMBLY CORPORATION. CIRCUIT ASSEMBLY CORPORATION RESERVES ALL PATENT, PROPRIETARY DESIGN, MANUFACTURING, REPRODUCTION, USE AND SALES RIGHTS THERE TO, AND TO ANY ARTICLE DISCLOSED HEREIN EXCEPT TO THE EXTENT RIGHTS ARE EXPRESSLY GRANTED TO OTHERS. THE FOREGOING DOES NOT APPLY TO VENDOR PROPRIETARY RIGHTS.	SIZE CODE IDENT NO. C 52072		DRAWING NO. 610321

DO NOT SCALE DRAWING

SCALE: 2 : 1

SHEET 1 OF 1