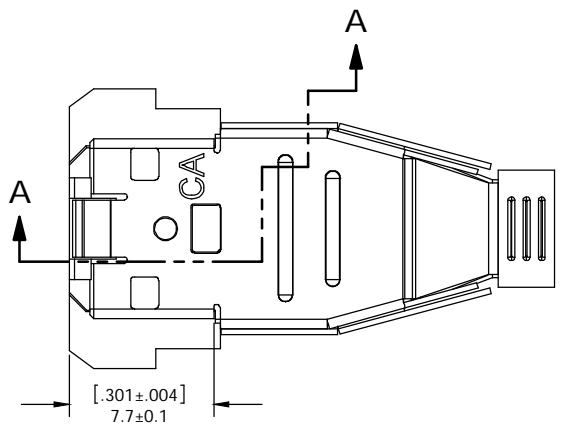
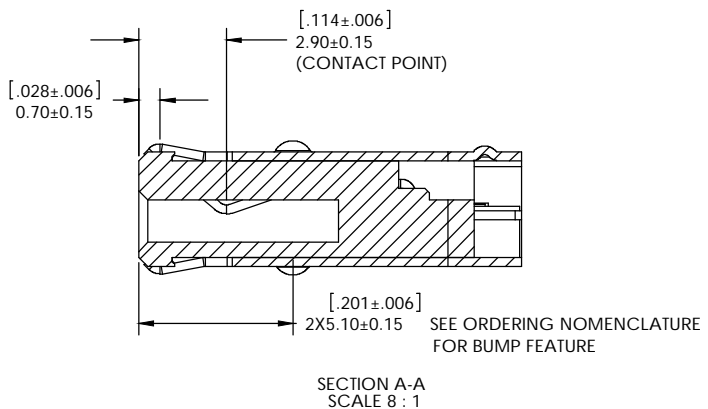


PART NO. CA-07ESAS-X-X

REVISIONS				
LTR	DESCRIPTION	DATE	APPROVED	
A	INITIAL RELEASE SEE DO 5743	C.P. 4-18-05	L.F.	
B	SEE DO 5776	C.P. 5-24-05	L.F.	
C	SEE DO 5833	C.P. 8-02-05	L.F.	
D	SEE DO 6941	C.P. 03-05-10	I.M.	



**ORDERING NOMENCLATURE**

**CA - 07 ESAS - X - X**

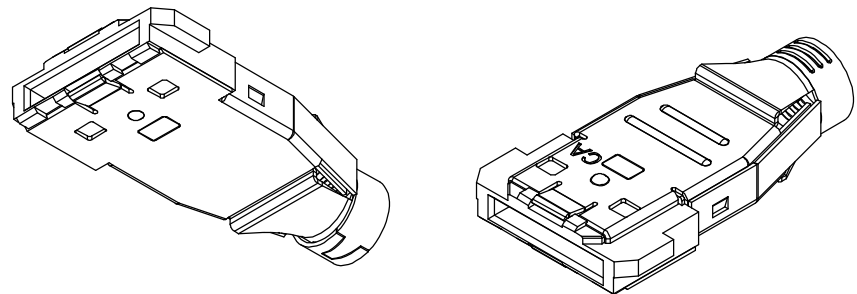
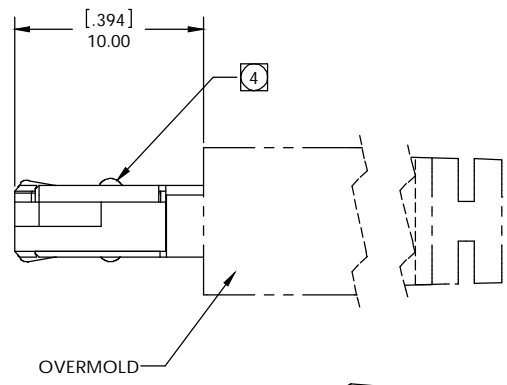
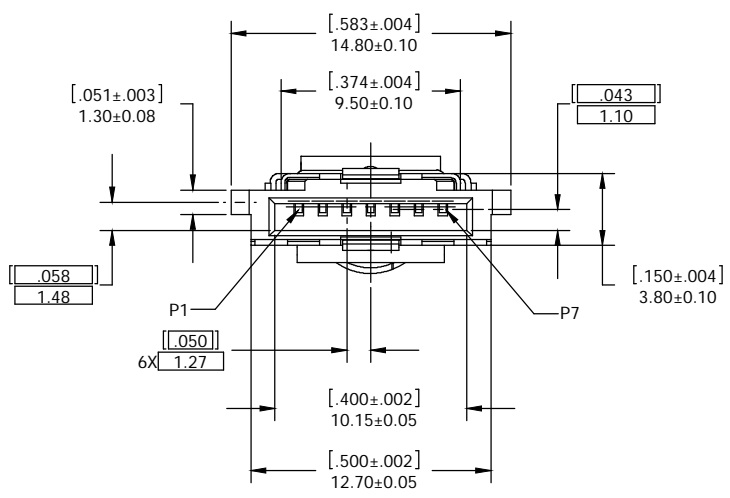
NO. OF POSITIONS \_\_\_\_\_

EXT SERIAL ATA SOCKET \_\_\_\_\_

PLATING \_\_\_\_\_

CONTACT AREA  
 A = GOLD FLASH  
 C = .000381 [.000015] GOLD  
 F = .000762 [.000030] GOLD  
 UNDERPLATE: .00191 [.000075] NICKEL  
 SOLDER AREA: .00254 [.000100] TIN

BUMPS **4** \_\_\_\_\_  
 BLANK = WITH RETENTION BUMPS (STANDARD)  
 0 = WITHOUT RETENTION BUMPS



4. MEETS THE REQUIREMENTS OF DIRECTIVE 2002/95/EC OF THE EUROPEAN PARLIAMENT AND OF THE COUNCIL OF 27 JANUARY 2003 ON THE RESTRICTION OF THE USE OF CERTAIN HAZARDOUS SUBSTANCES IN ELECTRICAL AND ELECTRONIC EQUIPMENT (RoHS).

3. INTERPRET DIMENSIONS AND TOLERANCES PER ASME Y14.5M - 1994

2. SPECIFICATIONS  
 CURRENT RATING 1.5 AMP PER CIRCUIT  
 CONTACT RESISTANCE (INITIAL): 30 MILLIOHMS MAX  
 DIELECTRIC WITHSTANDING VOLTAGE: 500 VAC, 1 MINUTE  
 INSULATION RESISTANCE: 1000 MEGOHMS MIN.

1. MATERIAL  
 INSULATOR: GLASS-FILLED THERMOPLASTIC, COLOR: BLACK, UL94V-0  
 CONTACT: PHOSPHOR BRONZE  
 CONTACT PLATING: SEE ORDERING NOMENCLATURE  
 SHELL: BRASS, C2680-H

NOTES: UNLESS OTHERWISE SPECIFIED

DIMENSIONS ARE IN MILLIMETERS TOLERANCES ARE:	
DECIMALS .X ±.25	ANGLES ±3°
DIMENSIONS IN BRACKETS [X.XXX] ARE IN INCHES TOLERANCES ARE:	
DECIMALS .XX ±.010	ANGLES ±3°
DO NOT SCALE DRAWING	

<b>APPROVALS</b>	<b>DATE</b>
DRAWN CUONG P.	4-18-05
CHECKED L. FONG	4-18-05

**CA** **CIRCUIT ASSEMBLY CORP.**  
 18 THOMAS ST., IRVINE, CALIFORNIA 92618-2777

**CONNECTOR ASSEMBLY - "ESAS"  
 EXTERNAL SATA , SOCKET  
 "ROHS COMPLIANT"**

SIZE	CODE IDENT NO.	DRAWING NO.	REV.
C	52072	610315	D

SCALE: 5:1 SHEET 1 OF 1