

4

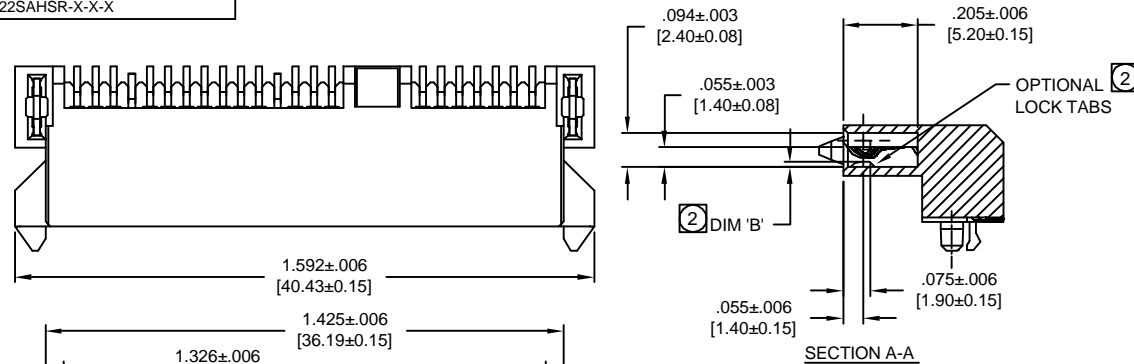
3

2

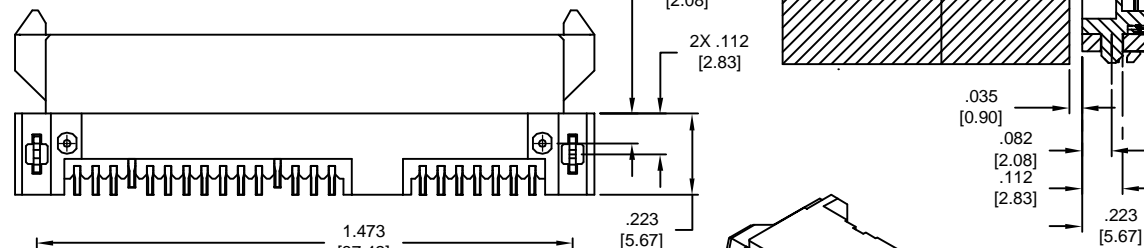
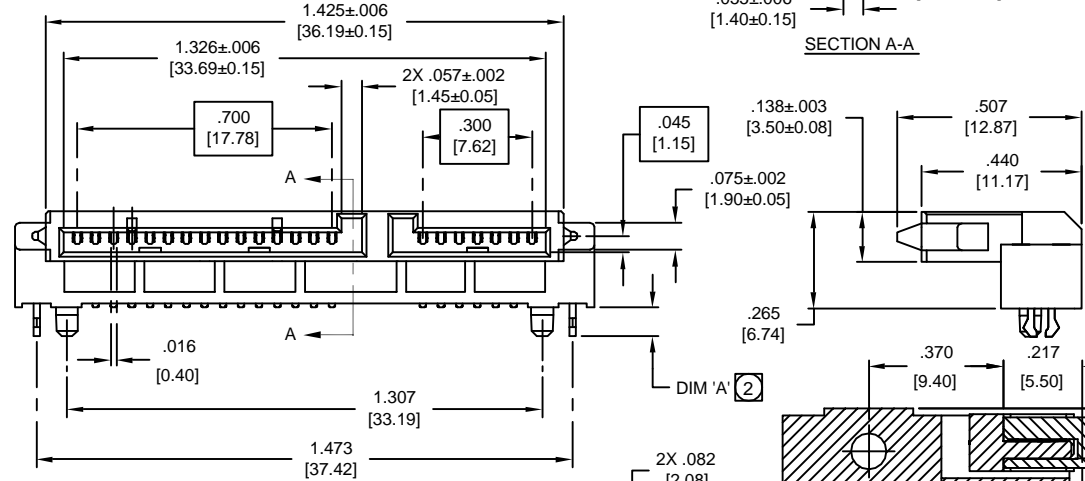
1

PART NO. CA-22SAHSR-X-X-X

| REVISIONS | | | | |
|-----------|-----------------------------|---------------|----------|--|
| LTR | DESCRIPTION | DATE | APPROVED | |
| A | INITIAL RELEASE SEE DO 5345 | C.P. 12-09-03 | A.J. | |
| B | SEE DO 5361 | C.P. 12-31-03 | A.J. | |
| C | SEE DO 5682 | C.P. 01-17-05 | A.J. | |
| D | SEE DO 5749 | C.P. 04-13-05 | A.J. | |
| E | SEE DO 5795 | C.P. 06-08-05 | I.M. | |
| F | SEE DO 6124 | C.P. 06-19-06 | A.J. | |
| G | SEE DO 6157 | C.P. 07-27-06 | I.M. | |



SECTION A-A



RECOMMENDED PC LAYOUT COMPONENT SIDE SHOWN

ORDERING NOMENCLATURE :

CA - 22SAHSR - X - X - X

- NO. OF POSITIONS _____
- SERIAL ATA HOST SOCKET RIGHT ANGLE _____
- PLATING _____
- A = CONTACT AREA : GOLD FLASH
 - B = CONTACT AREA : .000003 [.00008] GOLD
 - D = CONTACT AREA : .000005 [.00013] GOLD
 - C = CONTACT AREA : .000015 [.00038] GOLD
 - F = CONTACT AREA : .000030 [.00076] GOLD

- ALL WITH :
 SOLDER TAIL AREA : .000075 [.00191] TIN MIN.
 UNDER PLATE : .000050 [.00127] NICKEL MIN.
- LOGO
 1 = NO 'CA' LOGO
 2 = WITH 'CA' LOGO

- CONFIGURATION 2
- 1 = NO LOCK TAB, PCB THICKNESS: .031[0.79] - .057[1.45], DIM 'A' : .078[1.98]
 - 2 = 3 LOCK TABS, PCB THICKNESS: .031[0.79] - .057[1.45], DIM 'A' : .078[1.98], DIM 'B' : .014[0.35]
 - 3 = NO LOCK TAB, PCB THICKNESS: .057[1.45] - .070[1.78], DIM 'A' : .096[2.43]
 - 4 = 3 LOCK TABS, PCB THICKNESS: .057[1.45] - .070[1.78], DIM 'A' : .096[2.43], DIM 'B' : .014[0.35]
 - 5 = 3 LOCK TABS, PCB THICKNESS: .057[1.45] - .070[1.78], DIM 'A' : .096[2.43], DIM 'B' : .018[0.45]

2. MEETS THE REQUIREMENTS OF DIRECTIVE 2002/95/EC OF THE EUROPEAN PARLIAMENT AND OF THE COUNCIL OF 27 JANUARY 2003 ON THE RESTRICTION OF THE USE OF CERTAIN HAZARDOUS SUBSTANCES IN ELECTRICAL AND ELECTRONIC EQUIPMENT. (ROHS)

1. SPECIFICATION :
- MATERIALS :
 - INSULATOR : LIQUID CRYSTAL POLYAMIDE (LCP), 30 % GLASS FILLED, UL94V-0, COLOR BLACK
 - CONTACT : PHOSPHOR BRONZE, THICKNESS : .009[.25]
 - BOARDLOCK : PHOSPHOR BRONZE, THICKNESS : .017[.45]
 - RECOMMENDED PCB THICKNESS : SEE ORDERING NOMENCLATURE

NOTES : UNLESS OTHERWISE SPECIFIED

| | | | | | | | |
|--|--|--|--|--------------|--|--|--|
| DIMENSIONS ARE IN INCHES TOLERANCES ARE : | | APPROVALS | | DATE | | CA CIRCUIT ASSEMBLY CORP. | |
| DRAWN | | CUONG P. | | 12-09-03 | | 18 THOMAS ST., IRVINE, CALIFORNIA 92618-2777 | |
| CHECKED | | ART JOCHEN | | 12-09-03 | | CONNECTOR ASSEMBLY - SATA HOST SOCKET | |
| DECIMALS .XX | | ANGLES .010 | | .005 | | "CA-22SAHSR SERIES, R/A, SMT | |
| DIMENSIONS IN BRACKETS [X.XX] ARE MILLIMETERS TOLERANCES ARE : | | THIS INFORMATION AND DESIGN DISCLOSED HEREIN WAS ORIGINATED BY AND IS THE PROPERTY OF CIRCUIT ASSEMBLY CORPORATION. CIRCUIT ASSEMBLY CORPORATION RESERVES ALL PATENT, PROPRIETARY, DESIGN, MANUFACTURING, REPRODUCTION, USE AND SALES RIGHTS THEREOF, AND TO ANY ARTICLES DISCLOSED HEREIN EXCEPT TO THE EXTENT RIGHTS ARE EXPRESSLY GRANTED TO OTHERS. THE FOREGOING DOES NOT APPLY TO VENDOR PROPRIETARY RIGHTS. | | SIZE C | | CODE IDENT NO. 52072 | |
| DRAWN | | ART JOCHEN | | 12-09-03 | | DRAWING NO. 610308 | |
| DECIMALS .XX | | ANGLES .010 | | .005 | | REV. G | |
| DO NOT SCALE DRAWING | | SCALE: 4 : 1 | | SHEET 1 OF 1 | | | |

4

3

2

1