

PART NO. CA-XXS-XRAC1-02

| REVISIONS |                             |               |          |  |
|-----------|-----------------------------|---------------|----------|--|
| LTR       | DESCRIPTION                 | DATE          | APPROVED |  |
| A         | INITIAL RELEASE SEE DO 4995 | C.P. 10-10-02 | A.J      |  |
| B         | SEE DO 5769                 | C.P. 5-12-05  | A.J      |  |

# CA-XXS-XRAC1-02

NO. OF POS. \_\_\_\_\_

SOCKET STANDARD \_\_\_\_\_

PLATING \_\_\_\_\_

10 = .000010 [.00025] GOLD OVER  
 .000075 [.00190] NICKEL  
 T = .000250 [.00635] TIN OVER  
 .000075 [.00190] NICKEL

**RIGHT ANGLE CONNECTOR**  
**.100" BETWEEN TAIL ROWS**

**CONTACT 1 ORIENTATION**

02 = LOWER LEFT CORNER

**SPECIFICATIONS :**

**ENVIRONMENT :**  
 TEMPERATURE : -65°C TO +125°C  
**MECHANICAL :**  
 INSULATOR MATERIAL : GLASS FILLED POLYESTER, BLACK, UL94V-0  
 CONTACT MATERIAL : PHOSPHOR BRONZE  
 CONTACT INSERTION FORCE : \*

6.2 o.z (1.7 N) TYP.  
 10.6 o.z (2.9 N) MAX.

\*MEASURED WITH .020 [0.51] DIA. PIN

CONTACT EXTRACTION FORCE : \*

1.8 o.z (0.5 N) TYP.  
 0.7 o.z (0.2 N) MIN.

\*MEASURED WITH .0145 [.037] DIA. PIN

RECOMMENDED MATING PIN SIZE :

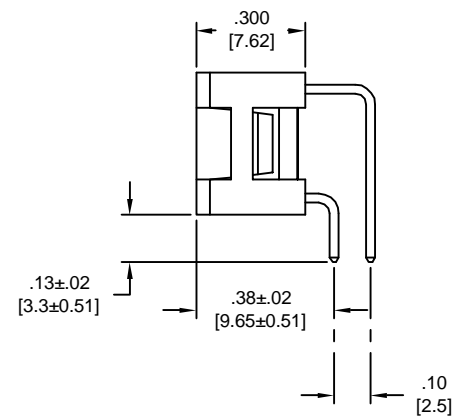
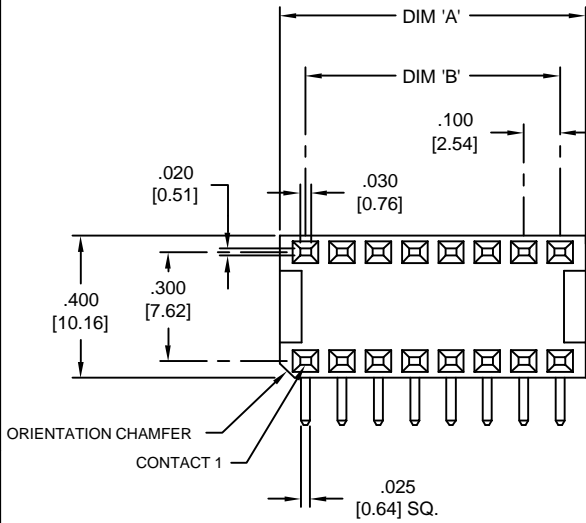
.022 [0.56]W X .020 [0.51]T MAX.  
 .010 [0.25]W X .008 [0.20]T MIN.

**ELECTRICAL :**

CURRENT RATING : 1 AMP  
 VOLTAGE RATING : 300 Vrms  
 DIELECTRIC WITHSTANDING : 500 Vrms MIN.  
 INSULATION RESISTANCE : > 5000 Megohms  
 CONTACT RESISTANCE : 10 Milliohms TYP.  
 30 Milliohms MAX.

1. MEETS THE REQUIREMENTS OF DIRECTIVE 2002/95/EC OF THE EUROPEAN PARLIAMENT AND OF THE COUNCIL OF 27 JANUARY 2003 ON THE RESTRICTION OF THE USE OF CERTAIN HAZARDOUS SUBSTANCES IN ELECTRICAL AND ELECTRONIC EQUIPMENT (RoHS).

NOTES : UNLESS OTHERWISE SPECIFIED



**TABULATION :**

| NO. OF POS | DIM 'A' |         | DIM 'B' |         |
|------------|---------|---------|---------|---------|
|            | IN      | MM      | IN      | MM      |
| 14         | .745    | [18.92] | .600    | [15.24] |
| 16         | .845    | [21.46] | .700    | [17.78] |
| 18         | .945    | [24.00] | .800    | [20.32] |
| 20         | 1.045   | [26.54] | .900    | [22.86] |

|   |   |                              |   |
|---|---|------------------------------|---|
| DIMENSIONS ARE IN INCHES TOLERANCES ARE:<br>DECIMALS ANGLES<br>XX ± .010<br>XXX ± .005                    | APPROVALS<br>DRAWN CUONG P<br>CHECKED A. JOCHEN   | DATE<br>10-10-02<br>10-10-02 | <b>CIRCUIT ASSEMBLY CORP.</b><br>18 THOMAS ST., IRVINE, CALIFORNIA 92618-2777<br><b>SOCKET STANDARD - RT. ANGLE</b><br><b>SERIES 'S'</b><br><b>"RoHS COMPLIANT"</b> |
| DIMENSIONS IN BRACKETS [XXX] ARE IN MILLIMETERS TOLERANCES ARE:<br>DECIMALS ANGLES<br>X ± .25<br>XX ± .13 | THE INFORMATION AND DESIGN DISCLOSED HEREIN WAS ORIGINATED BY AND IS THE PROPERTY OF CIRCUIT ASSEMBLY CORPORATION. CIRCUIT ASSEMBLY CORPORATION RESERVES ALL PATENT, PROPRIETARY, DESIGN, MANUFACTURING, REPRODUCTION, USE AND SALES RIGHTS THEREIN, AND NO ANY ARTICLE DISCLOSED HEREIN EXCEPT BY THE WRITTEN RIGHTS ARE EXPRESSLY GRANTED TO OTHERS. THE FOREGOING DOES NOT APPLY TO VENDOR PROPRIETARY RIGHTS. |                              |   |
| DO NOT SCALE DRAWING  | SIZE<br>C   | CODE IDENT NO.<br>52072      | DRAWING NO.<br><b>610296</b><br>REV.<br><b>B</b>  |
|   | SCALE: 4:1  | SHEET 1 OF 1                 |   |