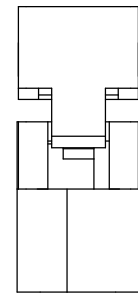
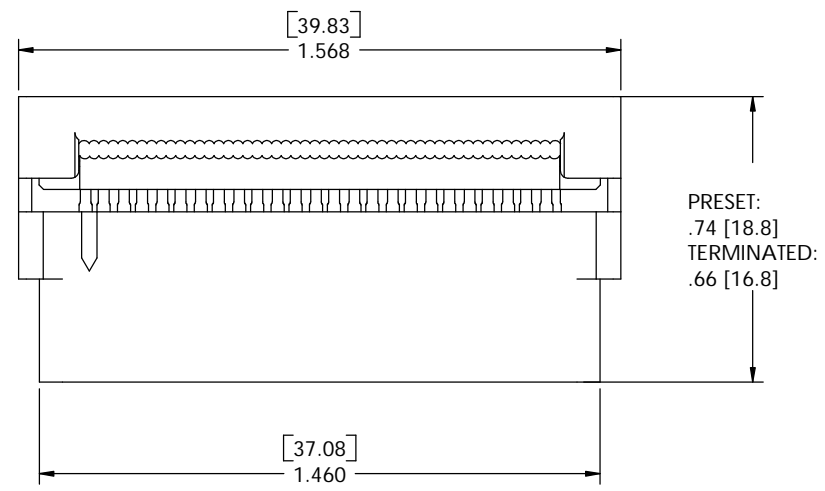
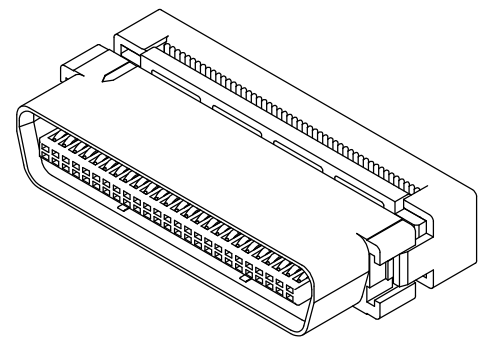
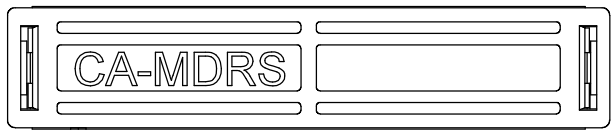


PART NO. CA-50MDRS-F

REVISIONS			
LTR	DESCRIPTION	DATE	APPROVED
A	INITIAL RELEASE SEE DO 4934	CP 08-12-02	A.J.



3. SPECIFICATIONS :

MECHANICAL

MATING FORCE	UN-MATING FORCE
5.00 kg MAX.	2.00 kg MIN.
3.90 kg TYP.	3.00 kg TYP.

WIRE SIZE 30 AWG SOLID & STRANDED, .025 PITCH
WIRE INSULATION FEP, TPO, TPE, PVC

ENVIRONMENTAL

TEMPERATURE -55° C TO +105° C

ELECTRICAL

CURRENT RATING	0.5 AMPERE
DIELECTRIC WITHSTANDING VOLTAGE	500 VDC FOR 1 MINUTE
INSULATOR RESISTANCE	>500 MEGOHMS @ 500 VDC
CONTACT RESISTANCE	<15 MILLIOHMS

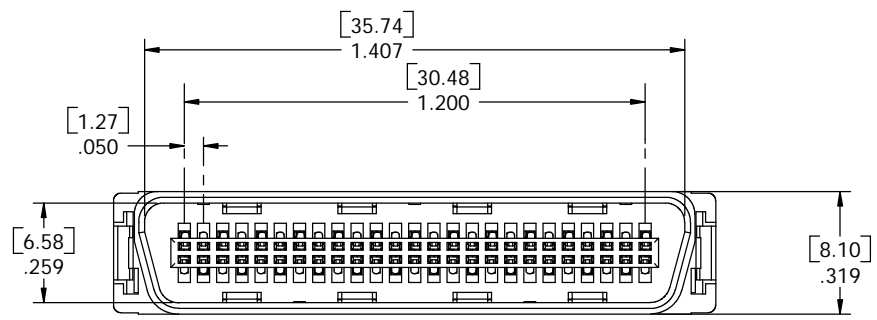
2. PLATING :

CONTACT	MATING AREA	.000030 in MIN GOLD
	IDT AREA	.000150 in 90/10 TIN/LEAD
	UNDER PLATE	.000075 in NICKEL

1. MATERIAL :

INSULATOR	GLASS FILLED POLYESTER UL94V-0 COLOR BLACK
CONTACT	BERYLLIUM COPPER

NOTES: UNLESS OTHERWISE SPECIFIED



DIMENSIONS ARE IN INCHES
TOLERANCES ARE:

DECIMALS	ANGLES
.XX ±.010	±3°
.XXX ±.005	

DIMENSIONS IN BRACKETS
[X.XX] ARE IN MILLIMETERS
TOLERANCES ARE:

DECIMALS	ANGLES
.X ±.25	±3°
.XX ±.13	

DO NOT SCALE DRAWING

APPROVALS	DATE
DRAWN CUONG P.	8-12-02
CHECKED A. JOCHEN	8-12-02

CA **CIRCUIT ASSEMBLY CORP.**
18 THOMAS ST., IRVINE, CALIFORNIA 92618-2777

CONNECTOR ASSEMBLY
50 POSITION
MDRS SERIES

SIZE	CODE IDENT NO.	DRAWING NO.	REV.
C	52072	610292	A

SCALE: 4:1 SHEET 1 OF 1