

4

3

2

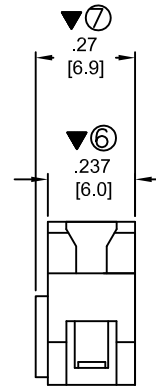
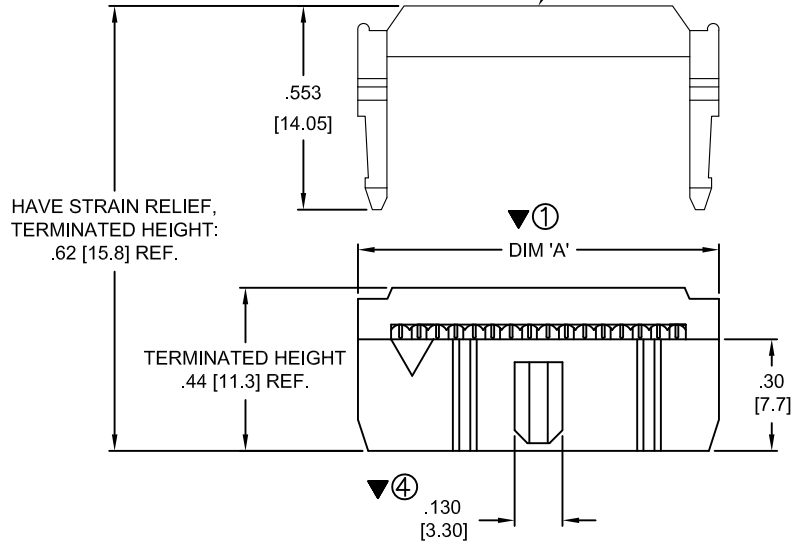
1

PART NO. CA-XXFID2-X-XXX-SR

## REVISIONS

LTR	DESCRIPTION	DATE	APPROVED
A	INITIAL RELEASE SEE DO 4769	C.P. 2-19-02	A.J.
B	SEE DO 5324	C.P. 11-06-03	A.J.
C	SEE DO 5333	C.P. 11-14-03	A.J.
D	SEE DO 7147	C.P. 09-23-11	I.M.
E	SEE DO 7332	C.P. 06-05-15	I.M.

STRAIN RELIEF



## CA-XXFID2-X-XXX-SR

NUMBER OF POSITIONS

IDT SOCKET, DUAL BEAM  
FID2 SERIES

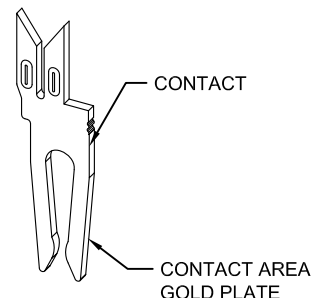
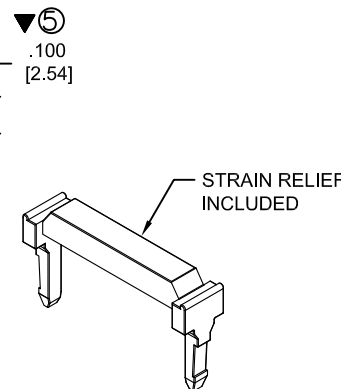
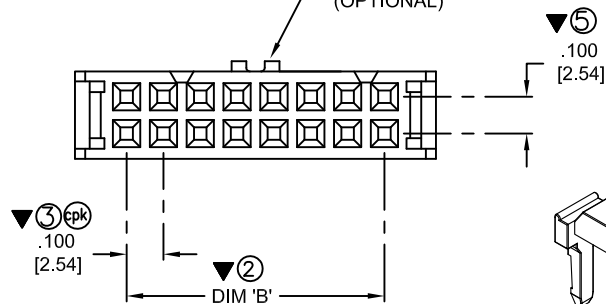
## PLATING

A = GOLD FLASH IN CONTACT AREA  
 C = .000015 [.00038] IN CONTACT AREA  
 F = .000030 [.00076] IN CONTACT AREA  
 ALL :  
 .000100 [.00254] TIN IN IDC AREA  
 .000040 [.00100] NICKEL UNDER PLATE

## POLARIZATION

BLANK = NO POLARIZATION  
 SPT = WITH POLARIZATION TAB

## STRAIN RELIEF

POLARIZING TAB  
(OPTIONAL)

3. MARK "▼" DIMENSION MUST BE CONTROLLED.  
 MARK "⊗" IS DIMENSION No.  
 MARK "⊕" DIMENSION MUST BE CONTROLLED BY CPK.

2. MEETS THE REQUIREMENTS OF DIRECTIVE 2011/65/EU OF THE EUROPEAN PARLIAMENT AND OF THE COUNCIL OF 03 JANUARY 2011 ON THE RESTRICTION OF THE USE OF CERTAIN HAZARDOUS SUBSTANCES IN ELECTRICAL AND ELECTRONIC EQUIPMENT. (ROHS 2.0)

## 1. SPECIFICATIONS :

## MATERIAL :

INSULATOR : GLASS FILLED THERMOPLASTIC, BLACK, UL94V-0  
 CONTACT : COPPER ALLOY

## ELECTRICAL :

CURRENT RATING : 1 AMP  
 DIELECTRIC WITHSTANDING VOLTAGE : 500 V AC (MIN)  
 INSULATION RESISTANCE : 3000 MEGOHMS MIN.  
 CONTACT RESISTANCE : 30 MILLIOHMS MAX.  
 OPERATING TEMPERATURE : -40° C TO +105° C  
 RECOGNITION : UL

NOTES : UNLESS OTHERWISE PECIFIED

## TABULATION :

POSITION	DIM 'A'		DIM 'B'	
10	0.680	[17.28]	0.400	[10.16]
14	0.880	[22.36]	0.600	[15.24]
16	0.980	[24.90]	0.700	[17.78]
20	1.180	[29.98]	0.900	[22.86]
26	1.480	[37.60]	1.200	[30.48]
34	1.880	[47.76]	1.600	[40.64]
40	2.180	[55.38]	1.900	[48.26]
50	2.680	[68.08]	2.400	[60.96]

DIMENSIONS ARE IN INCHES

TOLERANCES ARE:

DECIMALS ANGLES  
 .XX ±.010 ±3°  
 .XXX ±.005

DIMENSIONS IN BRACKETS

ARE MILLIMETERS

TOLERANCES ARE:

DECIMALS ANGLES  
 .X ±.25 ±3°  
 .XX ±.13

DO NOT SCALE DRAWING

APPROVALS

DRAWN CUONG P. DATE 2-19-02

CHECKED A. JOCHEN DATE 2-19-02

THE INFORMATION AND DESIGN DISCLOSED HEREIN WAS ORIGINATED BY AND IS THE PROPERTY OF CIRCUIT ASSEMBLY CORPORATION. CIRCUIT ASSEMBLY CORPORATION RESERVES ALL PATENT, PROPRIETARY, DESIGN, MANUFACTURING, REPRODUCTION, USE AND SALES RIGHTS THEREON, AND TO ANY ARTICLE DISCLOSED HEREIN EXCEPT TO THE EXTENT RIGHTS ARE EXPRESSLY GRANTED TO OTHERS. THIS FOREGOING DOES NOT APPLY TO VENDOR PROPRIETARY RIGHTS.

SIZE CODE IDENT NO. DRAWING NO. REV.

C 52072 610286 E

SCALE: 4:1 SHEET 1 OF 1

CIRCUIT ASSEMBLY CORP.

18 THOMAS ST., IRVINE, CALIFORNIA 92618-2777

IDT SOCKET CONN. - FID2 SERIES

"ROHS 2.0"

C 52072 610286 E

SCALE: 4:1 SHEET 1 OF 1