

PART NO. CA-02SJO-X

REVISIONS				
LTR	DESCRIPTION	DATE	APPROVED	
A	INITIAL RELEASE SEE DO 4504	C.P. 6-04-01	A.J.	
B	SEE DO 7072	C.P. 3-11-11	I.M.	
C	SEE DO 7521	C.P. 4-19-19	T.L.	

THE NOMENCLATURE :

CA - 02SJO - X

NO. OF POSITIONS _____

SHORTING JUMPER - OPEN _____

PLATING _____

A = GOLD FLASH
B = .000010 [.00025] GOLD

3. SPECIFICATIONS :

ENVIRONMENTAL :
TEMPERATURE RANGE : -55°C TO +125° C

MECHANICAL :
INSULATOR MATERIAL : GLASS FILLED POLYESTER, BLACK, UL94V-0
CONTACT MATERIAL : COPPER ALLOY
CONTACT INSERTION FORCE :
16 oz [4.4 N] TYP
32 oz [8.8 N] MAX
CONTACT EXTRACTION FORCE :
12 oz [3.3 N] TYP
7.5 oz [2.1 N] MIN

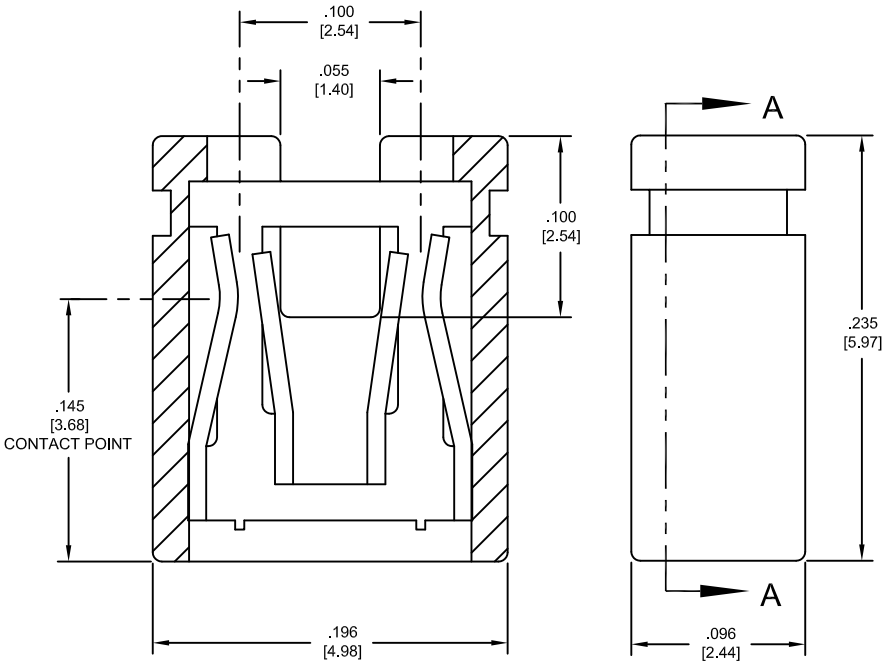
ELECTRICAL :
CURRENT RATING : 2 AMP
VOLTAGE RATING : 300 Vrms
INSULATION RESISTANCE : > 5000 Megohms
CONTACT RESISTANCE : 15 Milliohms MAX

MATING CA PRODUCT :
100 [2.54] SYSTEM

2. REPLACES DRAWING CA-610156

1. MEETS THE REQUIREMENTS OF THE EUROPEAN PARLIAMENT AND THE RESTRICTION OF THE USE OF CERTAIN HAZARDOUS SUBSTANCES IN ELECTRICAL AND ELECTRONIC EQUIPMENT. (RoHS)

NOTES : UNLESS OTHERWISE SPECIFIED



DIMENSIONS ARE IN INCHES TOLERANCES ARE: DECIMALS ANGLES .XX ± .010 ± 3° .XXX ± .005	APPROVALS	DATE	CIRCUIT ASSEMBLY CORP. 3A VANDERBLT, IRVINE, CALIFORNIA 92618-2030
	DRAWN CUONG.P.	5-31-01	
DIMENSIONS IN BRACKETS [XXX] ARE IN MILLIMETERS TOLERANCES ARE: DECIMALS ANGLES X ± .25 ± 3° .XX ± .13	CHECKED A.JOCHEN	6-04-01	CONNECTOR ASSEMBLY SHORTING JUMPER - OPEN "ROHS"
	THE INFORMATION AND DESIGN DISCLOSED HEREIN WAS ORIGINATED BY AND IS THE PROPERTY OF CIRCUIT ASSEMBLY CORPORATION. CIRCUIT ASSEMBLY CORPORATION RESERVES ALL RIGHTS, PROPRIETARY, DESIGN, MANUFACTURING, REPRODUCTION, USE, AND SALES RIGHTS THEREOF, AND TO ANY ARTICLE DISCLOSED HEREIN EXCEPT TO THE EXTENT RIGHTS ARE EXPRESSLY GRANTED TO OTHERS. THIS FOREGOING DOES NOT APPLY TO VENDOR PROPRIETARY RIGHTS.		
DO NOT SCALE DRAWING	SIZE C	CODE IDENT NO. 52072	DRAWING NO. 610275
	SCALE: 20:1		REV. C
			SHEET 1 OF 1