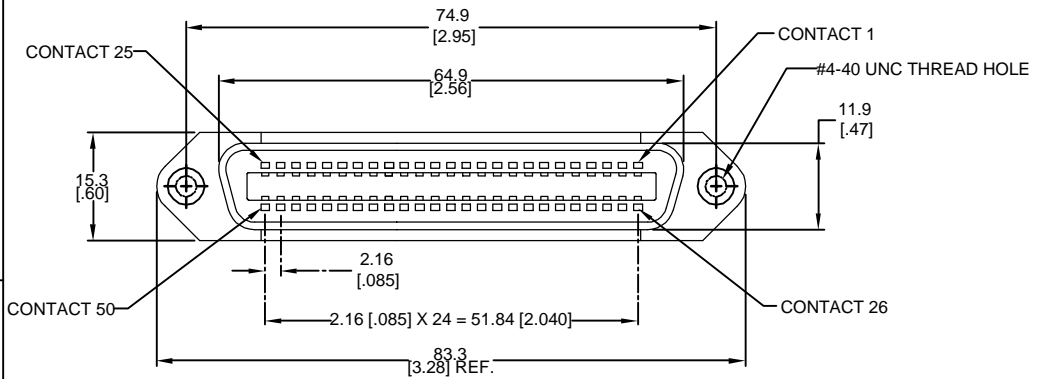


PART NO. CA-50RSID-4-FM-SR

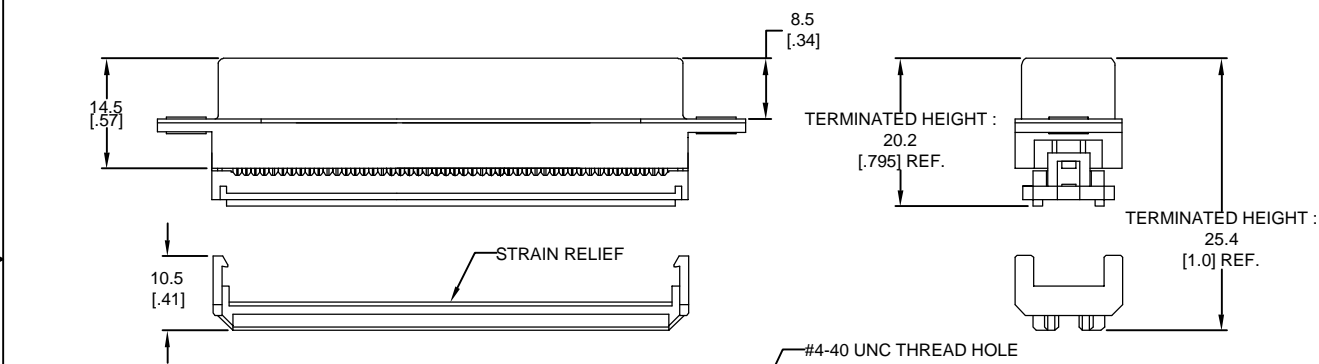
REVISIONS				
LTR	DESCRIPTION	DATE	APPROVED	
A	INITIAL RELEASE SEE DO 4379	CLW 2-26-01	A.J.	
B	SEE DO 6080	C.P. 5-03-06	I.M.	



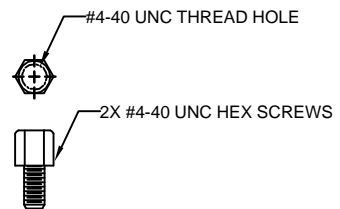
ORDERING NOMENCLATURE :

CA-50RSID-4-FM-SR

- NO OF POSITIONS
- RIBBON SOCKET INSULATION DISPLACEMENT
- MOUNTING HOLE
4 = # 4-40 THREAD INSERT
- FM = FLUSH MOUNT
- SR = STRAIN RELIEF



STRAIN RELIEF & #4-40 UNC HEX SCREWS PACKAGED SEPARATELY



2. SPECIFICATIONS :

MATERIAL :

- INSULATOR : PBT GLASS REINFORCED, UL94V-0, BLACK
- CONTACT : PHOSPHOR BRONZE
- SHELL : STEEL

ELECTRICAL :

- CURRENT RATING : 1AMP
- CONTACT RESISTANCE : 30 MILLIOHMS MAX.
- INSULATION RESISTANCE : 3,000 MEGOHMS MIN.
- DIELECTRIC WITHSTANDING VOLTAGE : 500 V AC FOR 1 MINUTE
- OPERATING TEMPERATURE : -40°C TO +105°C
- TERMINATED WITH 1.27MM [.050] PITCH FLAT RIBBON CABLE.

1. MEETS THE REQUIREMENTS OF DIRECTIVE OF 2002/95/EC THE EUROPEAN PARLIAMENT AND OF THE COUNCIL OF 27 JANUARY 2003 ON THE RESTRICTION OF THE USE OF CERTAIN HAZARDOUS SUBSTANCES IN ELECTRICAL AND ELECTRONIC EQUIPMENT (ROHS).

NOTES : UNLESS OTHERWISE SPECIFIED

DIMENSIONS ARE IN MM TOLERANCES ARE :		APPROVALS	DATE	CIRCUIT ASSEMBLY CORP. 18 THOMAS ST., IRVINE, CALIFORNIA 92618-2777
DECIMALS	ANGLES	DRAWN	C.L.W. 2-26-01	
XX # .25	#3°	CHECKED	A. JOCHEN 2-26-01	CONNECTOR ASSEMBLY - RSID SERIES 50 POS. RIBBON SOCKET, FLUSH MOUNT "ROHS COMPLIANT"
XXX # .13		<small>THE INFORMATION AND DESIGN DISCLOSED HEREIN HAS ORIGINATED BY AND IS THE PROPERTY OF CIRCUIT ASSEMBLY CORPORATION. CIRCUIT ASSEMBLY CORPORATION RESERVES ALL PATENT, PROPRIETARY, DESIGN, MANUFACTURING, REPRODUCTION, USE AND SALES RIGHTS THEREIN, AND TO ANY ARTICLE DISCLOSED HEREIN EXCEPT TO THE EXTENT RIGHTS ARE EXPRESSLY GRANTED TO OTHERS. THE FOREGOING DOES NOT APPLY TO VENDOR PROPRIETARY RIGHTS.</small>		
DIMENSIONS IN BRACKETS TOLERANCES ARE :		SIZE	CODE IDENT NO.	DRAWING NO.
DECIMALS	ANGLES	C	52072	610265
XX # .010	#3°	SCALE: 2 : 1		REV. B
XXX # .006				SHEET 1 OF 1