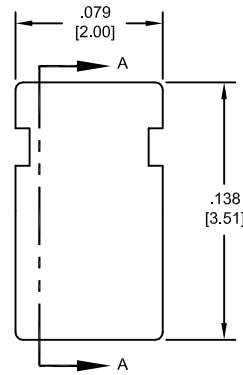
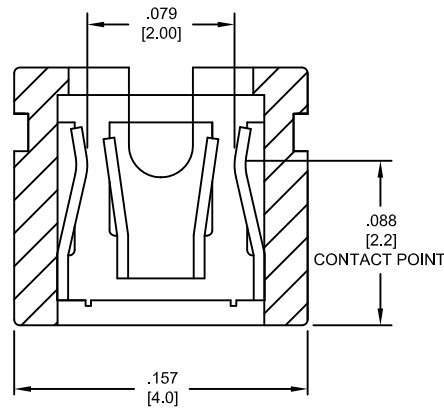


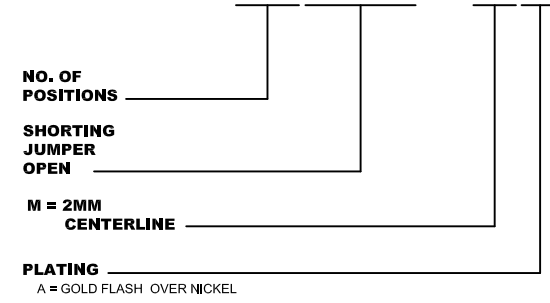
PART NO. CA-02SJO-MA

REVISIONS				
LTR	DESCRIPTION		DATE	APPROVED
A	INITIAL RELEASE SEE DO 4473	C.P.	5-14-01	A.J.
B	SEE DO 6171	C.P.	8-10-06	I.M.
C	SEE DO 7521	C.P.	4-19-19	T.L.



THE NOMENCLATURE :

CA - 02SJO - MA



SECTION A-A

2. SPECIFICATIONS :

ENVIRONMENTAL :
TEMPERATURE RANGE : -55°C TO + 105°C

MECHANICAL :
INSULATOR MATERIAL : GLASS FILLED POLYESTER, BLACK, UL94V-0
CONTACT MATERIAL : COPPER ALLOY

ELECTRICAL :
CURRENT RATING : 2 AMP

1. MEETS THE REQUIREMENTS OF THE EUROPEAN PARLIAMENT AND THE RESTRICTION OF THE USE OF CERTAIN HAZARDOUS SUBSTANCES IN ELECTRICAL AND ELECTRONIC EQUIPMENT. (RoHS)

NOTES : UNLESS OTHERWISE SPECIFIED

DIMENSIONS ARE IN INCHES TOLERANCES ARE: DECIMALS .XX ± .010 .XXX ± .005	ANGLES ± 3°	APPROVALS DRAWN CUONG.P. CHECKED A.JOCHEN	DATE 5-8-01 5-14-01	CIRCUIT ASSEMBLY CORP. 3A VANDERBILT, IRVINE, CALIFORNIA 92618-2030 CONNECTOR ASSEMBLY (2MM) SHORTING JUMPER - OPEN "ROHS COMPLIANT"
DIMENSIONS IN BRACKETS [X.XX] ARE IN MILLIMETERS TOLERANCES ARE: DECIMALS .X ± .25 .XX ± .13	ANGLES ± 3°	THE INFORMATION AND DESIGN DISCLOSED HEREIN WAS ORIGINATED BY AND IS THE PROPERTY OF CIRCUIT ASSEMBLY CORPORATION. CIRCUIT ASSEMBLY CORPORATION RESERVES ALL PATENT, PROPRIETARY, DESIGN, MANUFACTURING, REPRODUCTION, USE AND SALES RIGHTS THEREOF, AND TO ANY ARTICLE DISCLOSED HEREIN EXCEPT TO THE EXTENT RIGHTS ARE EXPRESSLY GRANTED TO OTHERS. THE FOREGOING DOES NOT APPLY TO VENDOR PROPRIETARY RIGHTS.		
DO NOT SCALE DRAWING	SCALE: 20:1	SIZE C	CODE IDENT NO. 52072	DRAWING NO. 610251
				REV. C SHEET 1 OF 1