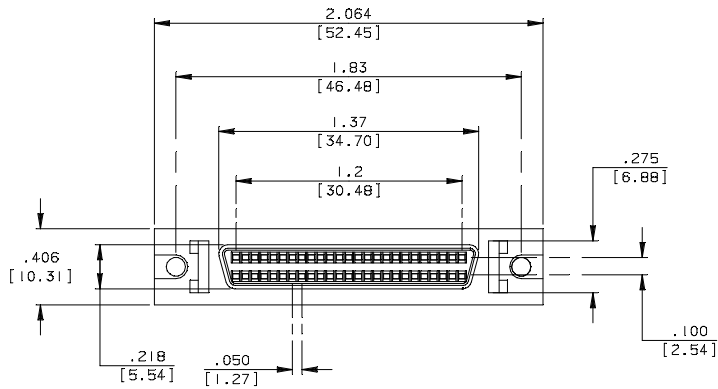


PART NO. CA-50HDS-1-050

REVISIONS			
LTR	DESCRIPTION	DATE	APPROVED
A	INITIAL RELEASE SEE DO 393B	JL 4-4-00	A. J.



CA - 50 HDS - 1 - 050

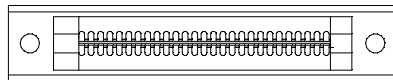
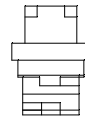
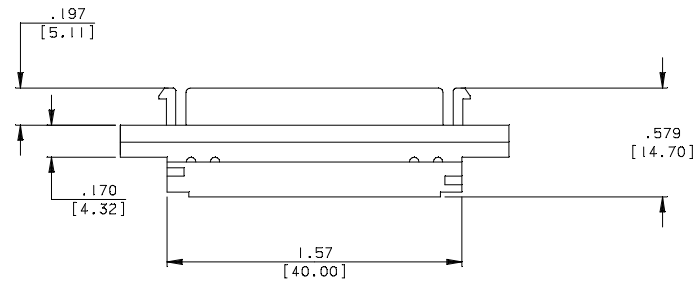
NUMBER OF CONTACT POSITIONS

HIGH DENSITY SOCKET

MATING OPTIONS:

- BLANK = NO LATCHES
- 1 = WITH LATCHES

TERMINATES TO .050" RIBBON CABLE, SOLID OR STRANDED, 28 AWG



1. SPECIFICATION:

ENVIRONMENTAL:

TEMPERATURE RANGE: -55° C TO +105° C

MECHANICAL:

INSULATOR MATERIAL: PBT, BLACK, UL94V-0
 CONTACT MATERIAL: PHOSPHOR BRONZE
 SHELL AND LATCH MATERIAL: ZINC ALLOY, NICKEL PLATING
 CONTACT PLATING: 30 MICRO INCHES GOLD

ELECTRICAL:

CURRENT RATING: 1 AMP
 DIELECTRIC WITHSTANDING VOLTAGE: 500 AC
 INSULATOR RESISTANCE: 1000 MEGOHMS MIN.
 CONTACT RESISTANCE: 25 MILLIOHMS MAX

NOTES: UNLESS OTHERWISE SPECIFIED

DIMENSIONS ARE IN INCHES TOLERANCES ARE: DECIMALS .XX ± .01 .XXX ± .005	APPROVALS DRAWN J. LANG CHECKED A. JOCHEN	DATE 4-4-00	CIRCUIT ASSEMBLY CORP. 18 THOMAS ST., IRVINE, CALIFORNIA 92618-2777
DIMENSIONS IN BRACKETS [X.XX] ARE IN MILLIMETERS TOLERANCES ARE: DECIMALS .XX ± .25 .XXX ± .13 DO NOT SCALE DRAWING	THE INFORMATION AND DESIGN DISCLOSED HEREIN WAS ORIGINATED BY AND IS THE PROPERTY OF CIRCUIT ASSEMBLY CORPORATION. CIRCUIT ASSEMBLY CORPORATION RESERVES ALL PATENT, PROPRIETARY, MANUFACTURING, REPRODUCTION, USE AND SALES RIGHTS THEREIN AND TO ANY ARTICLE DISCLOSED HEREIN EXCEPT TO THE EXTENT RIGHTS ARE EXPRESSLY GRANTED TO OTHERS. THE FOREGOING DOES NOT APPLY TO VENDOR PROPRIETARY RIGHTS.	SIZE C CODE IDENT NO. 52072 DRAWING NO. 610231 SCALE: 2 : 1	REV. A SHEET 1 OF 1