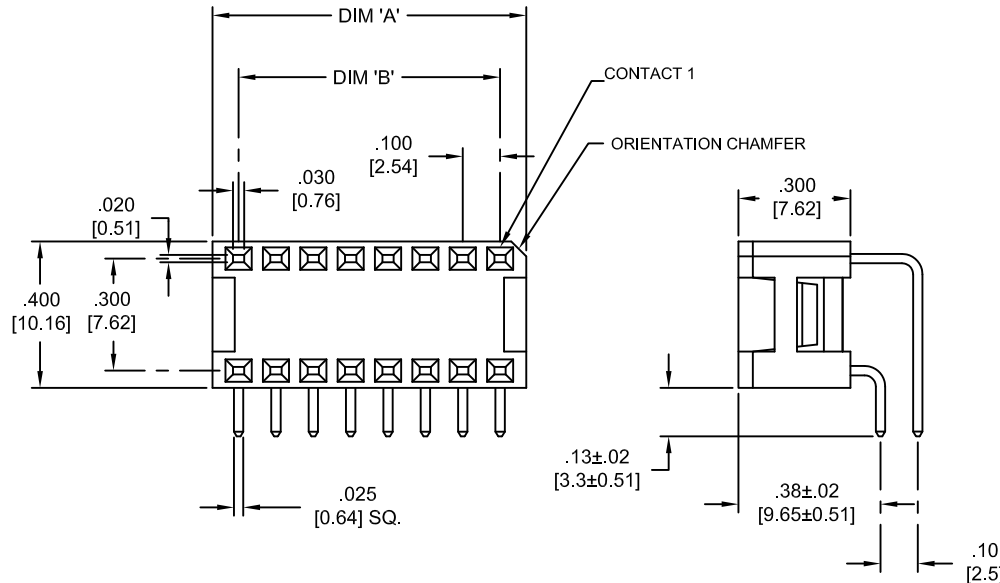


PART NO. CA-XXS-XRAC1-01

REVISIONS			
LTR	DESCRIPTION	DATE	APPROVED
A	INITIAL RELEASE SEE DO 4545	7-2-01	A.J
B	SEE DO 5769	5-12-05	A.J
C	SEE DO 7529	6-19-19	T.L.

CA-XXS-XRAC1-01



NO. OF POS. _____

SOCKET STANDARD _____

PLATING _____

10 = .000010 [.00025] GOLD OVER
 .000075 [.00190] NICKEL
 T = .000250 [.00635] TIN OVER
 .000075 [.00190] NICKEL

RIGHT ANGLE CONNECTOR
.100" BETWEEN TAIL ROWS _____

CONTACT 1 ORIENTATION _____

01 = UPPER RIGHT CORNER

2. SPECIFICATIONS :
- ENVIRONMENT :**
 TEMPERATURE : -65°C TO +125°C
- MECHANICAL :**
 INSULATOR MATERIAL : GLASS FILLED POLYESTER, BLACK, UL94V-0
 CONTACT MATERIAL : PHOSPHOR BRONZE
 CONTACT INSERTION FORCE : *
 6.2 o.z (1.7 N) TYP.
 10.6 o.z (2.9 N) MAX.
 *MEASURED WITH .020 [0.51] DIA. PIN
 CONTACT EXTRACTION FORCE : *
 1.8 o.z [0.5 N] TYP.
 0.7 o.z [0.2 N] MIN.
 *MEASURED WITH .0145 [0.37] DIA. PIN
 RECOMMENDED MATING PIN SIZE :
 .022 [0.56]W X .020 [0.51]T MAX.
 .010 [0.25]W X .008 [0.20]T MIN.
- ELECTRICAL :**
 CURRENT RATING : 1 AMP
 VOLTAGE RATING : 300 Vrms
 DIELECTRIC WITHSTANDING : 500 Vrms MIN.
 INSULATION RESISTANCE : > 5000 Megohms
 CONTACT RESISTANCE : 10 Milliohms TYP
 30 Milliohms MAX.

1. MEETS THE REQUIREMENTS OF THE EUROPEAN PARLIAMENT AND THE RESTRICTION OF THE USE OF CERTAIN HAZARDOUS SUBSTANCES IN ELECTRICAL AND ELECTRONIC EQUIPMENT (RoHS).

NOTES : UNLESS OTHERWISE SPECIFIED

TABULATION :

NO. OF POS	DIM 'A'		DIM 'B'	
	IN	MM	IN	MM
14	.745	[18.92]	.600	[15.24]
16	.845	[21.46]	.700	[17.78]
18	.945	[24.00]	.800	[20.32]
20	1.045	[26.54]	.900	[22.86]

DIMENSIONS ARE IN INCHES TOLERANCES ARE: DECIMALS ANGLES .XX ± .010 ± 3° .XXX ± .005	APPROVALS	DATE	CIRCUIT ASSEMBLY CORP. 3A VANDERBILT, IRVINE, CALIFORNIA 92618-2030 SOCKET STANDARD - RT. ANGLE SERIES 'S' "RoHS"								
	DRAWN CUONG .P	6/27/01									
DIMENSIONS IN BRACKETS [X.XX] ARE IN MILLIMETERS TOLERANCES ARE: DECIMALS ANGLES .X ± .25 ± 3° .XX ± .13	CHECKED A.JOCHEN	7/2/01	<table border="1"> <tr> <td>SIZE</td> <td>CODE IDENT NO.</td> <td>DRAWING NO.</td> <td>REV.</td> </tr> <tr> <td>C</td> <td>52072</td> <td>610218</td> <td>C</td> </tr> </table>	SIZE	CODE IDENT NO.	DRAWING NO.	REV.	C	52072	610218	C
	SIZE	CODE IDENT NO.	DRAWING NO.	REV.							
C	52072	610218	C								
DO NOT SCALE DRAWING	THE INFORMATION AND DESIGN DISCLOSED HEREIN WAS ORIGINATED BY AND IS THE PROPERTY OF CIRCUIT ASSEMBLY CORPORATION. CIRCUIT ASSEMBLY CORPORATION RESERVES ALL PATENT, PROPRIETARY, DESIGN, MANUFACTURING, REPRODUCTION, USE AND SALES RIGHTS THEREOF, AND TO ANY ARTICLE DISCLOSED HEREIN EXCEPT TO THE EXTENT RIGHTS ARE EXPRESSLY GRANTED TO OTHERS. THE FOREGOING DOES NOT APPLY TO VENDOR PROPRIETARY RIGHTS.		SCALE: 4:1								

D
C
B
A

D
C
B
A

4 3 2 1

4 3 2 1