

4

3

2

1

PART NO. CA-XXSE-XXWW

REVISIONS

LTR	DESCRIPTION	DATE	APPROVED
A	INITIAL RELEASE SEE DO 4544	C.P. 6-27-01	A.J.
B	SEE DO 5782	C.P. 5-31-05	A.J.
C	SEE DO 6314	C.P. 1-03-07	A.J.
D	SEE DO 7286	C.P. 8-28-14	I.M.

## ORDERING NOMENCLATURE :

**CA-XXSE-XXWW**

NO. OF POS. \_\_\_\_\_

SOCKET END STACKABLE \_\_\_\_\_

PLATING \_\_\_\_\_

10 = .000010 [.00025] GOLD OVER .000075 [.00190] NICKEL  
 T = .000250 [.00635] TIN

TAIL LENGTH \_\_\_\_\_

1 = .31 [7.9]  
 2 = .41 [10.4]  
 3 = .63 [16]

WRAP TAIL \_\_\_\_\_

## SPECIFICATIONS :

## ENVIRONMENTAL :

TEMPERATURE RANGE : -65°C TO +125°C

## MECHANICAL :

INSULATOR MATERIAL : GLASS FILLED POLYESTER, BLACK, UL94-0

CONTACT MATERIAL : PHOSPHOR BRONZE

CONTACT PLATING : SEE ORDERING NOMENCLATURE

CONTACT INSERTION FORCE : \*

6.2 oz. [1.7 N.] TYP  
 10.6 oz. [2.9 N.] MAX.

\* MEASURED WITH .020 [0.51] DIA. PIN

CONTACT EXTRACTION FORCE : \*

1.8 oz. [0.5 N.] TYP  
 0.7 oz. [0.2 N.] MIN.

\* MEASURED WITH .0145 [0.37] DIA. PIN

RECOMMENDED MATING PIN SIZE : .022 [0.56] W X .020 [0.51] T MAX.

.010 [0.25] W X .008 [0.20] T MIN.

## ELECTRICAL :

CURRENT RATING : 1 AMP

VOLTAGE RATING : 300 Vrms

DIELECTRIC WITHSTANDING VOLTAGE : 500 Vrms MIN.

INSULATION RESISTANCE : &gt; 5000 Megohms

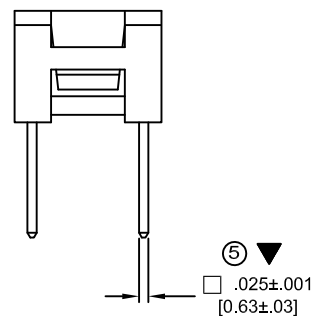
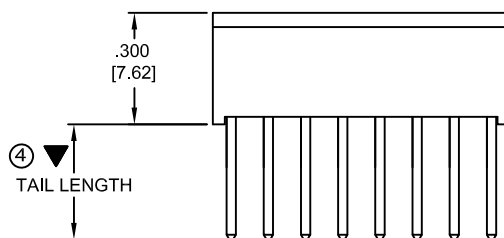
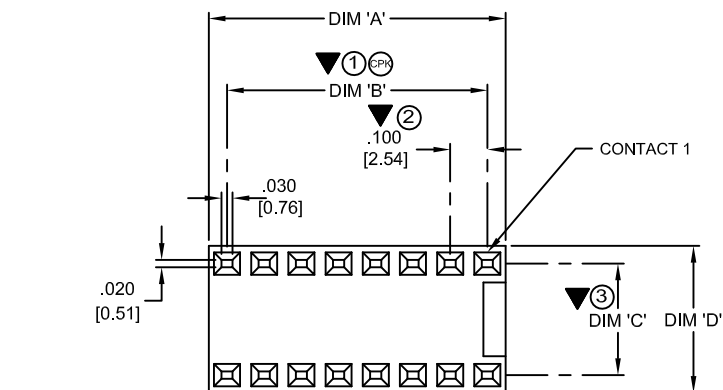
CONTACT RESISTANCE : 10 Milliohms TYP.

30 Milliohms MAX.

2. MARK "▼" DIMENSION MUST BE CONTROLLED.  
 MARK "⊗" IS DIMENSION NO.  
 MARK "⊕" MUST BE CONTROLLED BY CPK.

1. MEETS THE REQUIREMENTS OF DIRECTIVE 2011/65/EC OF THE EUROPEAN PARLIAMENT AND OF THE COUNCIL OF 03 JANUARY 2011 ON THE RESTRICTION OF THE USE OF CERTAIN HAZARDOUS SUBSTANCES IN ELECTRICAL AND ELECTRONIC EQUIPMENT. (ROHS 2.0)

NOTES : UNLESS OTHERWISE SPECIFIED



## TABULATION :

NO. OF POS	DIM 'A'		DIM 'B'		DIM 'C'		DIM 'D'	
	IN	MM	IN	MM	IN	MM	IN	MM
* 08	.398	[10.11]	.300	[7.62]	.300	[7.62]	.395	[10.03]
14	.698	[17.73]	.600	[15.24]	.300	[7.62]	.395	[10.03]
16	.798	[20.27]	.700	[17.78]	.300	[7.62]	.395	[10.03]

\* 08 POSITION DISCONTINUED 05/2005

DIMENSIONS ARE IN INCHES TOLERANCES ARE: DECIMALS ANGLES .XX ± .010 .XXX ± .005	APPROVALS	DATE	<b>CIRCUIT ASSEMBLY CORP.</b> 18 THOMAS ST., IRVINE, CALIFORNIA 92618-2777 <b>SOCKET STANDARD .300" HIGH</b> <b>END STACKABLE, WRAP TAIL</b> <b>CA-XXSE-XXWW - " ROHS 2.0"</b>
	DRAWN CUONG P	6/27/01	
DIMENSIONS IN BRACKETS [XXX] ARE IN MILLIMETERS TOLERANCES ARE: DECIMALS ANGLES X ± .25 .XX ± .13	CHECKED A.JOCHEN	6/27/01	SIZE C
	THE INFORMATION AND DESIGN DISCLOSED HEREIN WAS ORIGINATED BY AND IS THE PROPERTY OF CIRCUIT ASSEMBLY CORPORATION. CIRCUIT ASSEMBLY CORPORATION RESERVES ALL PATENT, PROPRIETARY, DESIGN, MANUFACTURING, REPRODUCTION, USE AND SALES RIGHTS THEREIN, AND TO ANY ARTICLE, DISCLOSED HEREIN EXCEPT TO THE EXTENT RIGHTS ARE EXPRESSLY GRANTED TO OTHERS. THE FOREGOING DOES NOT APPLY TO VENDOR PROPRIETARY RIGHTS.		CODE IDENT NO. 52072
DO NOT SCALE DRAWING	SCALE: 4 : 1		DRAWING NO. <b>610217</b>
	SHEET 1 OF 1		REV. <b>D</b>