

4 PART NO. CA-XXFID-X-XXX-SR

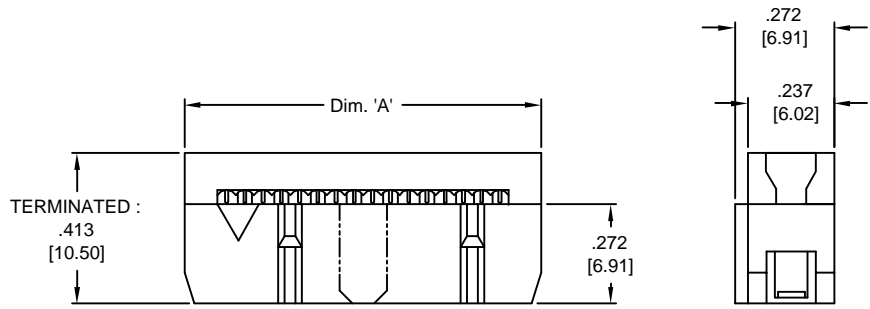
3

2

1

REVISIONS				
LTR	DESCRIPTION	DATE	APPROVED	
A	INITIAL RELEASE SEE DO 3761	JL	10-25-99	A.J.
B	SEE DO 3832	JL	12-29-99	A.J.
C	SEE DO 4151	CLW	09-13-00	A.J.
D	SEE DO 4291	C.P.	12-28-00	A.J.
E	SEE DO 4631	C.P.	09-25-01	A.J.
F	SEE DO 4771	C.P.	02-21-02	A.J.
G	SEE DO 5061	C.P.	01-03-03	A.J.
H	SEE DO 5334	C.P.	11-17-03	A.J.
J	SEE DO 6929	C.P.	12-15-09	A.J.

D



# CA-XXFID-X-XXX-SR

NUMBER OF POSITIONS \_\_\_\_\_

IDT SOCKET, VALUE LINE \_\_\_\_\_

PLATING \_\_\_\_\_

A = GOLD FLASH IN CONTACT AREA  
.000100 [.00254] TIN IN IDC AREA  
.000040 [.00100] NICKEL UNDERPLATE

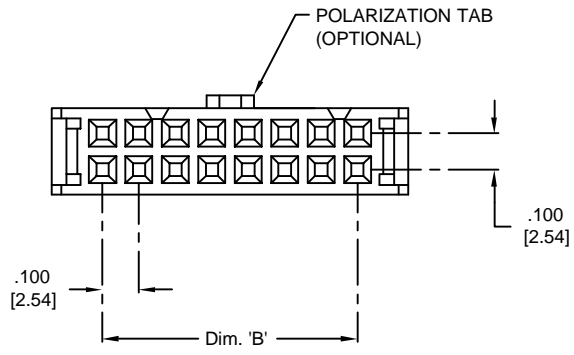
C = .000015 [.00038] GOLD IN CONTACT AREA  
.000100 [.00254] TIN IN IDC AREA  
.000040 [.00100] NICKEL UNDERPLATE

POLARIZATION \_\_\_\_\_

BLANK = NO POLARIZATION TAB  
SPT = WITH POLARIZATION TAB

STRAIN RELIEF \_\_\_\_\_

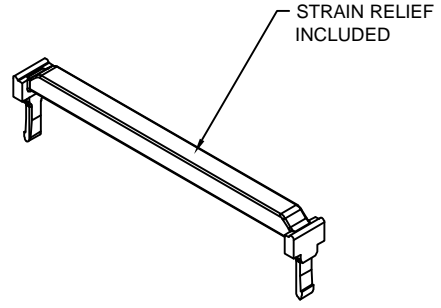
C



B

TABULATION :

POSITION	DIM 'A'		DIM 'B'	
	INCHES	MILLIMETERS	INCHES	MILLIMETERS
6	0.480	[12.19]	0.200	[5.08]
8	0.580	[14.73]	0.300	[7.62]
10	0.680	[17.27]	0.400	[10.16]
12	0.780	[19.81]	0.500	[12.70]
14	0.880	[22.35]	0.600	[15.24]
16	0.980	[24.89]	0.700	[17.78]
20	1.180	[29.97]	0.900	[22.86]
24	1.380	[35.05]	1.100	[27.94]
26	1.480	[37.59]	1.200	[30.48]
30	1.680	[42.67]	1.400	[35.56]
34	1.880	[47.75]	1.600	[40.64]
36	1.980	[50.29]	1.700	[43.18]
40	2.180	[55.37]	1.900	[48.26]
44	2.380	[60.45]	2.100	[53.34]
50	2.680	[68.07]	2.400	[60.96]
60	3.180	[80.77]	2.900	[73.66]
62	3.280	[83.31]	3.000	[76.20]
64	3.380	[85.85]	3.100	[78.74]



2. MEETS THE REQUIREMENTS OF DIRECTIVE 2002/95/EC OF THE EUROPEAN PARLIAMENT AND OF THE COUNCIL OF 27 JANUARY 2003 ON THE RESTRICTION OF THE USE OF CERTAIN HAZARDOUS SUBSTANCES IN ELECTRICAL AND ELECTRONIC EQUIPMENT. (ROHS)

1. SPECIFICATIONS :
- MATERIAL :**  
INSULATOR : GLASS FILLED THERMOPLASTIC, BLACK, UL94V-0  
CONTACT : PHOSPHOR BRONZE
- ELECTRICAL :**  
CURRENT RATING : 1 AMP  
DIELECTRIC WITHSTANDING VOLTAGE : 500 V AC (MIN)  
INSULATION RESISTANCE : 1000 MEGOHMS MIN.  
CONTACT RESISTANCE : 30 MILLIOHMS MAX.  
OPERATING TEMPERATURE : -40° C TO +105° C

NOTES : UNLESS OTHERWISE PECIFIED

A

DIMENSIONS ARE IN INCHES TOLERANCES ARE :		APPROVALS	DATE	<b>CIRCUIT ASSEMBLY CORP.</b> 18 THOMAS ST., IRVINE, CALIFORNIA 92618-2777
DECIMALS	ANGLES	DRAWN	J.LANG	
.XX ±.010	±3°	CHECKED	A. JOCHEN	10-25-99
DIMENSIONS IN BRACKETS (XXX) ARE MILLIMETERS TOLERANCES ARE :		THE INFORMATION AND DESIGN DISCLOSED HEREIN WAS OBTAINED BY AND IS THE PROPERTY OF CIRCUIT ASSEMBLY CORPORATION. "CIRCUIT" ASSEMBLY CORPORATION RESERVES ALL PATENT, PROPRIETARY, DESIGN, MANUFACTURING, REPRODUCTION, USE AND SALES RIGHTS THEREIN, AND TO X ±.25 ±3° EXCEPT TO THE EXTENT RIGHTS ARE EXPRESSLY GRANTED TO OTHERS. THE FOREGOING DOES NOT APPLY TO VECTOR, PROPRIETARY RIGHTS.		<b>CONNECTOR ASSEMBLY - FID SERIES</b> <b>IDT SOCKET</b> <b>"ROHS COMPLIANT"</b>
DECIMALS	ANGLES	SIZE	CODE IDENT NO.	DRAWING NO.
.XX ±.13	±3°	C	52072	610206
DO NOT SCALE DRAWING		SCALE: 4 : 1		REV. <b>J</b>
				SHEET 1 OF 1

4

3

2

1