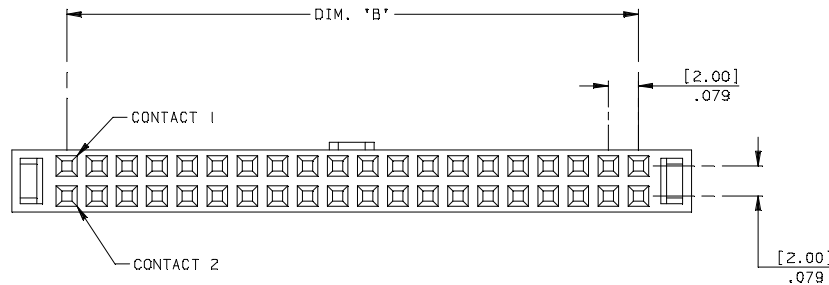
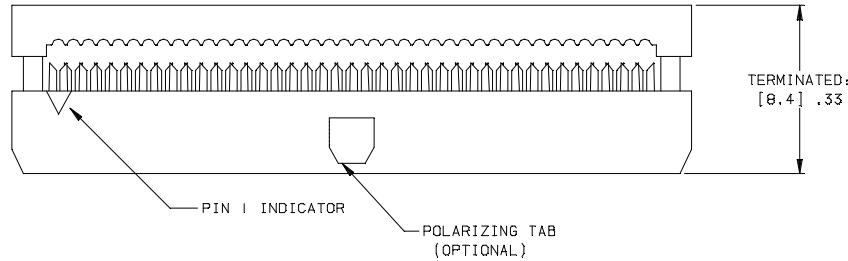
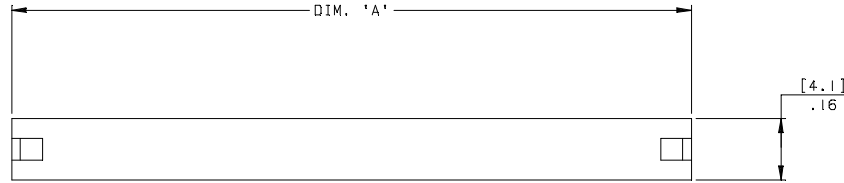


PART NO. CA-XXMID-A-XXX-XX

REVISIONS			
LTR	DESCRIPTION	DATE	APPROVED
A	INITIAL RELEASE SEE ECR 2519	6-8-93	A. J.
B	SEE DO 3911	JL 3-13-00	A. J.
C	SEE DO 4375	C.P. 2-23-01	A. J.
D	SEE DO 4825	C.P. 4-24-02	A. J.
E	SEE DO 5332	C.P. 11-13-03	A. J.
F	SEE DO 6201	C.P. 09-12-08	I.M.



ORDERING NOMENCLATURE:

**CA-XXMID-A-XXX-XX**

NUMBER OF CONTACT POSITIONS

2mm INSULATION DISPLACEMENT

PLATING:

A = GOLD FLASH OVER NICKEL

POLARIZING TAB :

BLANK = NO POLARIZING TAB

SPT = SINGLE POLARIZING TAB (NOT AVAILABLE FOR SIZE 68)

STRAIN RELIEF :

BLANK = NO STRAIN RELIEF

SR = STRAIN RELIEF (NOT AVAILABLE FOR SIZES 36 & 68)

TABULATION:

NO. OF POSITIONS	A		B	
	MM	IN	MM	IN
10	[15.20]	.598	[8.00]	.315
12	[17.20]	.677	[10.00]	.394
14	[19.20]	.756	[12.00]	.472
16	[21.20]	.835	[14.00]	.551
20	[25.20]	.992	[18.00]	.708
22	[27.20]	1.070	[20.00]	.787
24	[29.20]	1.149	[22.00]	.866
26	[31.20]	1.228	[24.00]	.944
30	[35.20]	1.385	[28.00]	1.102
34	[39.20]	1.543	[32.00]	1.259
36	[41.20]	1.622	[34.00]	1.338
40	[45.20]	1.779	[38.00]	1.496
44	[49.20]	1.937	[42.00]	1.653
50	[55.20]	2.173	[48.00]	1.889
68	[73.20]	2.881	[66.00]	2.598

**SPECIFICATIONS:**

**ENVIRONMENTAL:**

TEMPERATURE RANGE : -40°C TO +105°C

**MECHANICAL:**

INSULATOR MATERIAL : GLASS FILLED THERMOPLASTIC, BLACK, UL94V-0  
 CONTACT MATERIAL : COPPER ALLOY  
 TERMINATES TO : 1mm CENTER LINE FLAT CABLE

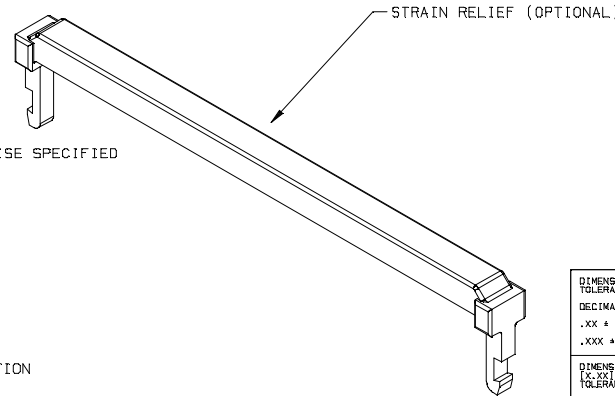
NOTES: UNLESS OTHERWISE SPECIFIED

**ELECTRICAL:**

CURRENT RATING : 1 AMP  
 VOLTAGE RATING : 250 V AC MAX.  
 INSULATION RESISTANCE : 1000 MEGOHM MIN.  
 DIELECTRIC VOLTAGE : 500V AC FOR ONE MINUTE  
 CONTACT RESISTANCE : 30 MILLIOHM MAX.

1. MEETS THE REQUIREMENTS OF DIRECTIVE 2002/95/EC OF THE EUROPEAN PARLIAMENT AND OF THE COUNCIL OF 27 JANUARY 2003 ON THE RESTRICTION OF THE USE OF CERTAIN HAZARDOUS SUBSTANCES IN ELECTRICAL AND ELECTRONIC EQUIPMENT. (RoHS)

NOTES: UNLESS OTHERWISE SPECIFIED



DIMENSIONS ARE IN INCHES		APPROVALS		DATE
TOLERANCES ARE:		DRAWN	R. PRICHETT 6-8-93	
DECIMALS	ANGLES	CHECKED	A. JOCHEN 6-8-93	
.XX ± .010	± 3°			
.XXX ± .005				
DIMENSIONS IN BRACKETS [ ] ARE MILLIMETERS		THE INFORMATION AND DESIGN DISCLOSED HEREIN WAS ORIGINATED BY AND IS THE PROPERTY OF CIRCUIT ASSEMBLY CORPORATION. CIRCUIT ASSEMBLY CORPORATION RESERVES ALL PATENT, PROPRIETARY, DESIGN, MANUFACTURING, REPRODUCTION, USE AND SALES RIGHTS THEREOF, AND TO ANY ARTICLE DISCLOSED HEREIN EXCEPT TO THE EXTENT RIGHTS ARE EXPRESSLY GRANTED TO OTHERS. THE FOREGOING DOES NOT APPLY TO VENDOR PROPRIETARY RIGHTS.		
DECIMALS	ANGLES			
.X ± .25	± 3°			
.XX ± .15				
DO NOT SCALE DRAWING				

DRAWN		DATE		<b>CIRCUIT ASSEMBLY CORP.</b> 18 THOMAS ST., IRVINE, CALIFORNIA 92618-2777
R. PRICHETT 6-8-93		6-8-93		
CHECKED		DATE		<b>SOCKET ASSEMBLY-2mm IDT SOCKET</b> <b>MID SERIES</b> <b>"ROHS COMPLIANT"</b>
A. JOCHEN 6-8-93		6-8-93		
SIZE	CODE IDENT NO.	DRAWING NO.	REV.	
C	52072	610176	F	
SCALE: 4 : 1		SHEET 1 OF 1		