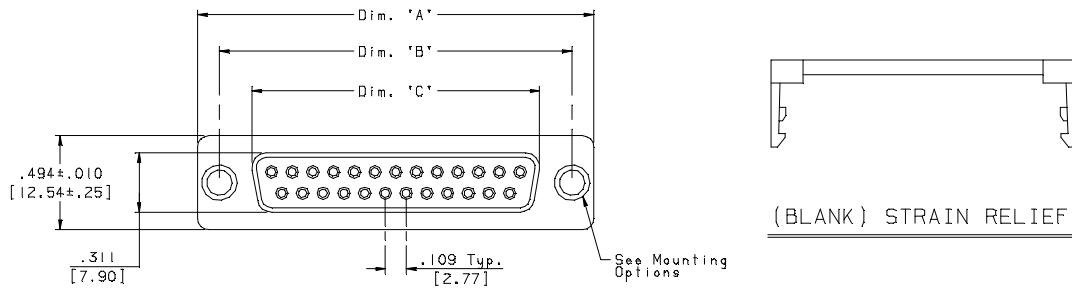
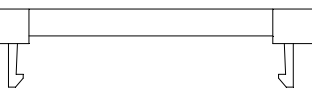
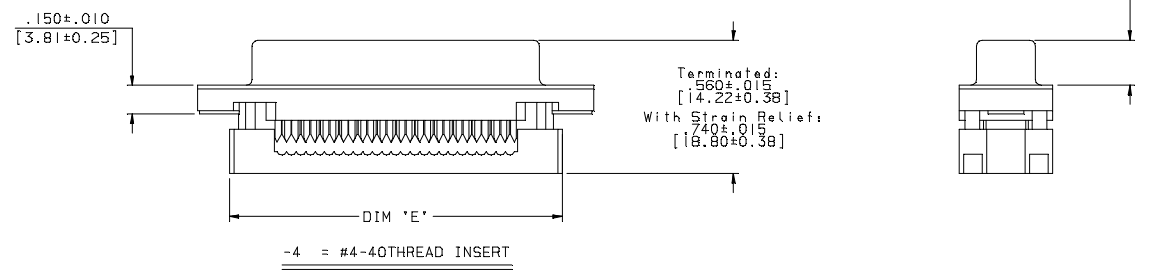
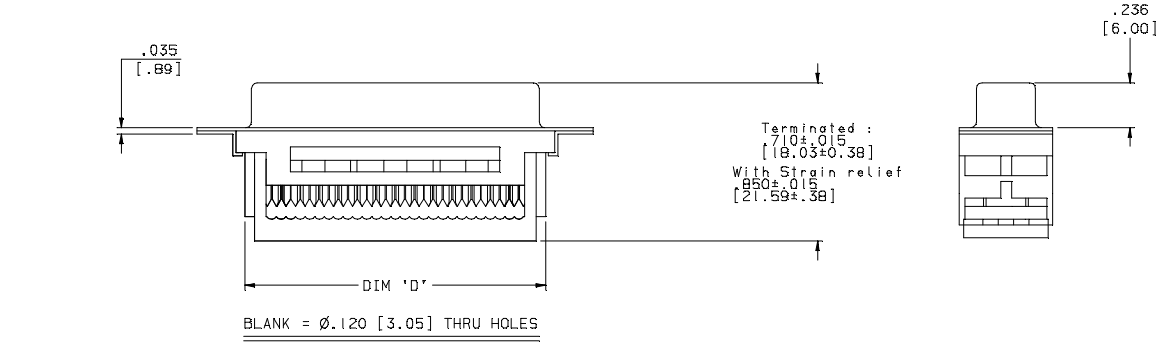


PART NO. CA-XXDSID-X-X-SR

REVISIONS				
LTR	DESCRIPTION	DATE	APPROVED	
A	INITIAL RELEASE SEE ECR 1846			
B	SEE DD 3787	DL 11-22-99	A. J.	
C	SEE DD 3849	DL 2-2-00	A. J.	
D	SEE DD 4711	CP 12-12-01	A. J.	
E	SEE DD 5589	CP 09-03-04	A. J.	
F	SEE DD 5715	CP 03-03-05	A. J.	
G	SEE DD 6159	CP 07-27-06	I. M.	
H	SEE DD 6907	CP 10-23-09	I. M.	



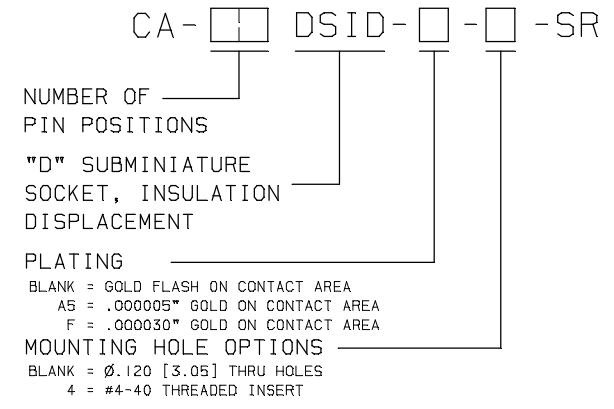
(BLANK) STRAIN RELIEF



(-4) STRAIN RELIEF

NO. OF POSITIONS	DIM. 'A'	DIM. 'B'	DIM. 'C'	DIM. 'D'	DIM. 'E'
9	1.21 [30.8]	.984 [25.00]	.642 [16.30]	.62 [15.7]	.89 [22.5]
15	1.54 [39.2]	1.311 [33.30]	.969 [24.60]	.94 [24.0]	1.21 [30.8]
25	2.09 [53.1]	1.854 [47.10]	1.508 [38.30]	1.49 [37.9]	1.76 [44.7]
37	2.73 [69.4]	2.500 [63.50]	2.157 [54.80]	2.14 [54.5]	2.41 [61.3]

ORDERING NOMENCLATURE:



- 6. MEETS THE REQUIREMENTS OF DIRECTIVE 2002/95/EC OF THE EUROPEAN PARLIAMENT AND OF THE COUNCIL OF 27 JANUARY 2003 ON THE RESTRICTION OF THE USE OF CERTAIN HAZARDOUS SUBSTANCES IN ELECTRICAL AND ELECTRONIC EQUIPMENT. (RoHS)
- 5. TEMPERATURE RANGE: -55°C TO +105°C
- 4. PLATING:
CONTACT PLATING:
UNDERPLATE: NICKEL
MATING AREA: SEE ORDERING NOMENCLATURE PLATING
IDT AREA: TIN
SHELL PLATING: TIN
- 3. LIST OF MATERIALS:
INSULATOR MATERIAL: GLASS FILLED POLYESTER, BLACK, UL94V-0
SHELL MATERIAL: STEEL
CONTACT MATERIAL: PHOSPHOR BRONZE
- 2. CURRENT RATING: 1 AMP
- 1. TERMINATES TO .050" PITCH, 26AWG OR 28AWG CABLE

NOTES: UNLESS OTHERWISE SPECIFIED

DIMENSIONS IN BRACKETS ARE IN MILLIMETERS	APPROVALS DRAWN: D. LANG 11-22-99 CHECKED: A. JOCHEN 11-22-99	DATE 11-22-99	CIRCUIT ASSEMBLY CORP. 18 THOMAS ST., IRVINE, CALIFORNIA 92618-2777
DECIMALS .XX ± .010 ANGLES ± 3° .XXX ± .005	THE INFORMATION AND DESIGN DISCLOSED HEREIN WAS ORIGINATED BY AND IS THE PROPERTY OF CIRCUIT ASSEMBLY CORPORATION. CIRCUIT ASSEMBLY CORPORATION RESERVES ALL PATENT, PROPRIETARY, DESIGN AND SALES RIGHTS THEREIN, AND TO ANY ARTICLE DEVELOPED HEREIN EXCEPT TO THE EXTENT RIGHTS ARE EXPRESSLY GRANTED TO OTHERS. THE FOREGOING DOES NOT APPLY TO VENDOR PROPRIETARY RIGHTS.	SIZE CODE IDENT NO. C 52072	
DIMENSIONS IN BRACKETS ARE IN MILLIMETERS	DO NOT SCALE DRAWING	SCALE: 2 : 1	"ROHS COMPLIANT" REV. H

D

C

B

A

D

C

B

A