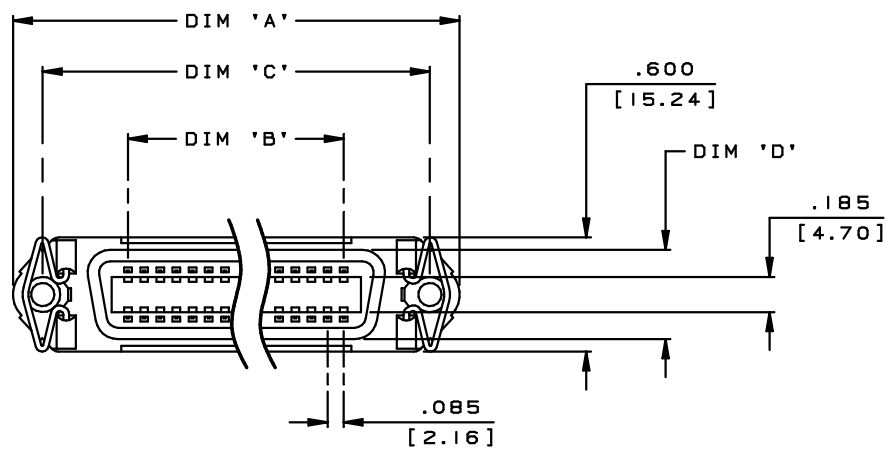


PART NO. CA-XXRSID-XX

REVISIONS				
LTR	DESCRIPTION	DATE	APPROVED	
A	INITIAL RELEASE SEE DO 3772	JL 11-4-99	A.J.	
B	SEE DO 4556	C.P 7-16-01	A.J.	



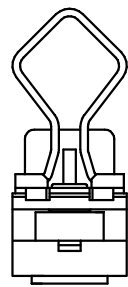
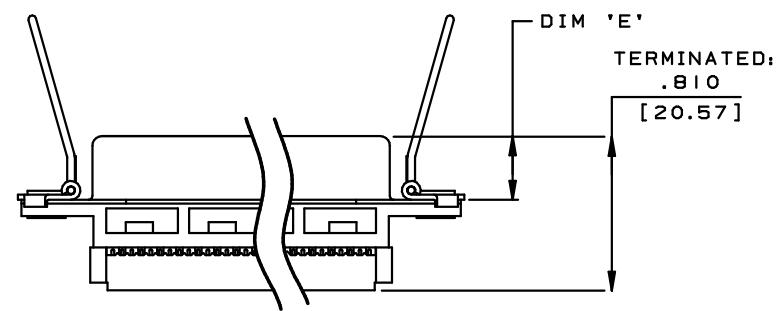
CA-RSID-

**NUMBER OF POSITIONS** \_\_\_\_\_  
 36  
 50

**RIBBON SOCKET INSULATION DISPLACEMENT** \_\_\_\_\_

**MOUNTING HOLES** \_\_\_\_\_  
 2 = .120 IN. THRU HOLES  
 4 = #4-40 UNC THREADED HOLES

**SHELL** \_\_\_\_\_  
 BLANK = METAL  
 P = PLASTIC



STRAIN RELIEF  
 SRXXRID  
 ORDERED SEPARATELY

**I. SPECIFICATIONS**

**ENVIRONMENTAL**  
 TEMP. RANGE : -55°C TO 105°C

**MECHANICAL**  
 INSULATOR MATERIAL: GLASS FILLED THERMOPLASTIC, BLACK, UL94V-0

CONTACT MATERIAL : COPPER ALLOY  
 SHELL MATERIAL : STEEL  
 CONTACT PLATING : GOLD FLASH  
 TERMINATES TO : .050 IN. CABLE, 28 AWG

**ELECTRICAL**  
 CURRENT RATING : 1 AMP

NOTES: UNLESS OTHERWISE SPECIFIED

**TABULATION**

POSITION	DIM 'A'	DIM 'B'	DIM 'C'	DIM 'D'		DIM 'E'	
				PLASTIC	METAL	PLASTIC	METAL
<b>36 POS</b>	2.66 [67.60]	1.445 [36.70]	2.352 [59.74]	.441 [11.20]	.470 [11.94]	.295 [7.50]	.335 [8.51]
<b>50 POS</b>	3.26 [82.80]	2.040 [51.82]	2.947 [74.85]				

DIMENSIONS ARE IN INCHES TOLERANCES ARE:		APPROVALS		DATE
DECIMALS	ANGLES	DRAWN J. LANG		11-4-99
.XX ± .01	± 5°	CHECKED A. JOCHEN		11-4-99
.XXX ± .005		THE INFORMATION AND DESIGN DISCLOSED HEREIN WAS ORIGINATED BY AND IS THE PROPERTY OF CIRCUIT ASSEMBLY CORPORATION. CIRCUIT ASSEMBLY CORPORATION RESERVES ALL PATENT, PROPRIETARY DESIGN, TRADE NAME, AND OTHER RIGHTS. THE AND SALES RIGHTS THEREON, AND TO ANY ARTICLE DISCLOSED HEREIN EXCEPT TO THE EXTENT RIGHTS ARE EXPRESSLY GRANTED TO OTHERS, THE FOREGOING DOES NOT APPLY TO VENDOR PROPRIETARY RIGHTS.		
DECIMALS	ANGLES	SIZE CODE IDENT NO. DRAWING NO. REV.		
.X ± .15		C	52072	610165 B
.XX ± .25		SCALE: 2 : 1 SHEET 1 OF 1		
DO NOT SCALE DRAWING				

**CA** **CIRCUIT ASSEMBLY CORP.**  
 18 THOMAS ST., IRVINE, CALIFORNIA 92618-2777

**IDT RIBBON SOCKET**  
**RSID SERIES**

D  
C  
B  
A

D  
C  
B  
A